

SSR-480A125 ✓ ACTIVE

Potter & Brumfield | Potter & Brumfield SSR

TE Internal #: 1-1393030-3

AC Input Solid State Relay, 1 Form A SPST-NO, 48 – 660 Vrms
Output, AC Output, Panel Mount, Black, Potter & Brumfield SSR

[View on TE.com >](#)



Relays & Contactors > Solid State Relays > Solid State Relays, P&B SSR Series



Input Current Type: AC

Contact Arrangement: 1 Form A SPST-NO

Output Voltage Rating: 48 – 660 Vrms

Output Switching: Zero

Output Current Type: AC

[All Solid State Relays, P&B SSR Series \(10\)](#)

Features

Body Features

Device Package Style	Hockey Puck
Primary Product Color	Black
Product Weight	98 g[3.45 oz]

Mechanical Attachment

Product Mounting Feature Type	Mounting Hole
Product Mount Type	Panel Mount

Operation/Application

Input Current Type	AC
Output Switching	Zero
Output Current Type	AC

Configuration Features

Contact Arrangement	1 Form A SPST-NO
---------------------	------------------

Electrical Characteristics



Output Voltage Rating	48 – 660 Vrms
-----------------------	---------------

Termination Features

Relay Connection Type	Terminals
Terminal Configuration	Screw Terminals

Dimensions

Product Length	45 mm[1.77 in]
Product Width	43.4 mm[1.7 in]
Product Height	57.8 mm[2.27 in]

Usage Conditions

Operating Temperature Range	-30 – 80 °C[-22 – 176 °F]
-----------------------------	---------------------------

Other

EU RoHS Compliance	Compliant
EU ELV Compliance	Compliant

Product Compliance

[For compliance documentation, visit the product page on TE.com>](#)

EU RoHS Directive 2011/65/EU	Compliant
EU ELV Directive 2000/53/EC	Compliant
China RoHS 2 Directive MIIT Order No 32, 2016	No Restricted Materials Above Threshold
EU REACH Regulation (EC) No. 1907/2006	Current ECHA Candidate List: JUNE 2024 (241) Candidate List Declared Against: JUNE 2023 (235) Does not contain REACH SVHC
Halogen Content	Low Halogen - Br, Cl, F, I < 900 ppm per homogenous material. Also BFR/CFR/PVC Free
Solder Process Capability	Not applicable for solder process capability

Product Compliance Disclaimer

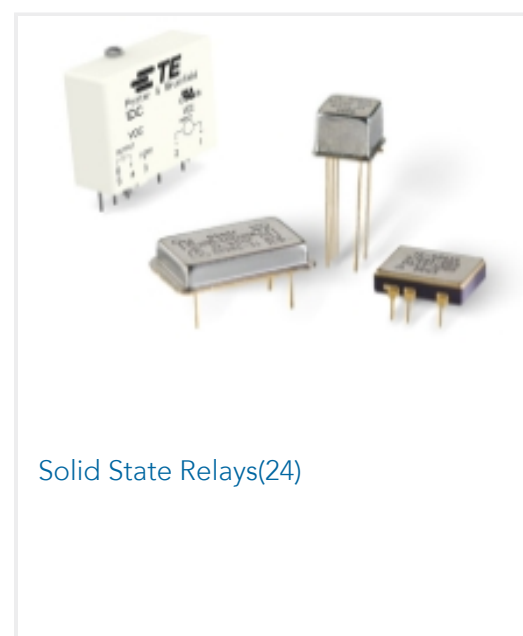
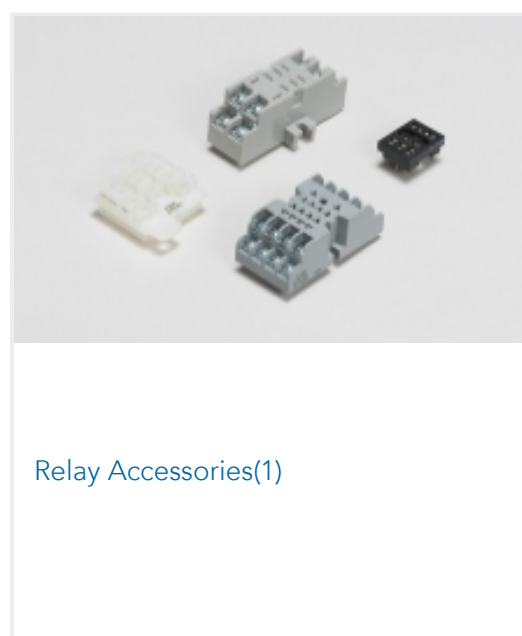
This information is provided based on reasonable inquiry of our suppliers and represents our current actual knowledge based on the information they provided. This information is subject to change. The part numbers that TE has identified as EU RoHS compliant have a maximum concentration of 0.1% by weight in homogenous materials for lead, hexavalent chromium, mercury, PBB, PBDE, DBP, BBP, DEHP, DIBP, and 0.01% for cadmium, or qualify for an exemption to these limits as defined in the Annexes of Directive 2011/65/EU (RoHS2). Finished electrical and electronic equipment products will be CE marked as required by Directive 2011/65/EU. Components may not be CE marked. Additionally, the part numbers that TE has identified as EU ELV compliant have a maximum concentration of 0.1% by weight in homogenous materials for lead, hexavalent chromium, and mercury, and 0.01% for cadmium, or qualify for an exemption to these limits as defined in the Annexes of Directive 2000/53/EC (ELV). Regarding the REACH Regulation, the information TE provides

on SVHC in articles for this part number is based on the latest European Chemicals Agency (ECHA) 'Guidance on requirements for substances in articles' posted at this URL: <https://echa.europa.eu/guidance-documents/guidance-on-reach>

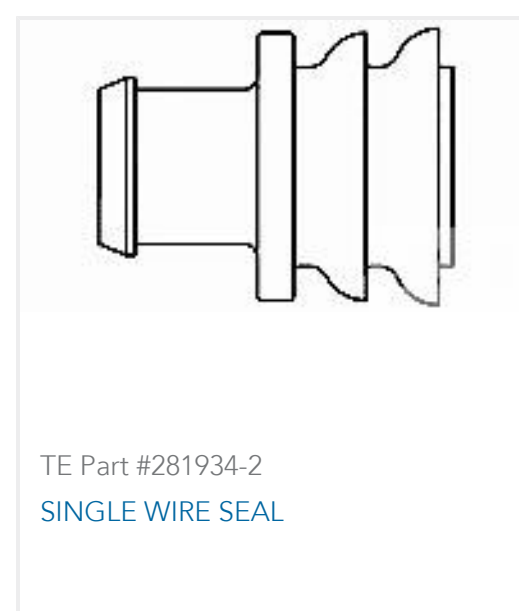
Compatible Parts



Also in the Series | Potter & Brumfield SSR



Customers Also Bought



Documents

[CAD Files](#)



Customer View Model

[ENG_CVM_CVM_1-1393030-3_26.3d_igs.zip](#)

English

Customer View Model

[ENG_CVM_CVM_1-1393030-3_26.3d_stp.zip](#)

English

Customer View Model

[ENG_CVM_CVM_1-1393030-3_26.2d_dxf.zip](#)

English

[3D PDF](#)

[3D](#)

By downloading the CAD file I accept and agree to the [Terms and Conditions](#) of use.

Datasheets & Catalog Pages

[SSR_Datasheet](#)

English

[SSR, SSRD and SSRT Series](#)

English

Agency Approvals

[UL](#)

English