

1-1375870-8 ✓ ACTIVE

AMPMODU | AMPMODU MICRO

TE Internal #: 1-1375870-8

PCB Mount Receptacle, Vertical, Wire-to-Board, 40 Position, .8 mm  
[.031 in] Centerline, Gold, Surface Mount, Signal, Natural, Reel,  
AMPMODU MICRO

[View on TE.com >](#)



Connectors > PCB Connectors > PCB Headers & Receptacles



PCB Connector Assembly Type: **PCB Mount Receptacle**

PCB Mount Orientation: **Vertical**

Connector System: **Wire-to-Board**

Number of Positions: **40**

Number of Rows: **2**

## Features

### Electrical Characteristics

Operating Voltage	30 VAC
Insulation Resistance	500 MΩ
Dielectric Withstanding Voltage (Max)	250 V

### Dimensions

Row-to-Row Spacing	2.6 mm[.1 in]
Connector Height	5 mm[.196 in]
Profile Height from PCB	5 mm[.196 in]
Connector Length	19.35 mm[.761 in]

### Packaging Features

Packaging Quantity	750
Packaging Method	Reel

### Industry Standards

Compatible With Agency/Standards Products	UL
Compatible With Approved Standards Products	UL E28476
UL Flammability Rating	UL 94V-0

### Mechanical Attachment

Mating Retention	Without
Mating Alignment Type	Polarization



PCB Mount Retention Type	Boardlock
PCB Mount Alignment Type	Polarization
PCB Mount Retention	With
PCB Mount Alignment	With
Connector Mounting Type	Board Mount
Mating Alignment	With

### Termination Features

Rectangular Termination Post & Tail Width	.4 mm[.016 in]
Rectangular Termination Post & Tail Thickness	.15 mm[.006 in]
Termination Method to PCB	Surface Mount

### Contact Features

Contact Underplating Material	Nickel
Contact Underplating Material Thickness	1.27 $\mu$ m[50 $\mu$ in]
Contact Mating Area Plating Material Thickness	.76 $\mu$ m[30 $\mu$ in]
PCB Contact Termination Area Plating Material Thickness	.13 – .2 $\mu$ m[5.12 – 7.87 $\mu$ in]
Contact Layout	Matrix
Contact Base Material	Phosphor Bronze
PCB Contact Termination Area Plating Material	Gold
Contact Mating Area Plating Material Finish	Bright
Contact Mating Area Plating Material	Gold
Contact Type	Receptacle
Contact Current Rating (Max)	1 A

### Housing Features

Housing Material	LCP (Liquid Crystal Polymer)
Centerline (Pitch)	.8 mm[.031 in]

### Product Type Features

PCB Connector Assembly Type	PCB Mount Receptacle
Connector System	Wire-to-Board
Sealable	No
Connector & Contact Terminates To	Printed Circuit Board

### Configuration Features

PCB Mount Orientation	Vertical
-----------------------	----------



Number of Positions	40
---------------------	----

Number of Rows	2
----------------	---

### Body Features

Primary Product Color	Natural
-----------------------	---------

### Usage Conditions

Operating Temperature Range	-55 – 85 °C[-67 – 185 °F]
-----------------------------	---------------------------

### Operation/Application

Circuit Application	Signal
---------------------	--------

### Other

EU RoHS Compliance	Not Compliant
--------------------	---------------

EU ELV Compliance	Not Compliant
-------------------	---------------

## Product Compliance

[For compliance documentation, visit the product page on TE.com>](#)

EU RoHS Directive 2011/65/EU	Not Compliant
------------------------------	---------------

EU ELV Directive 2000/53/EC	Not Compliant
-----------------------------	---------------

China RoHS 2 Directive MIIT Order No 32, 2016	Restricted Materials Above Threshold
---	--------------------------------------

EU REACH Regulation (EC) No. 1907/2006	<p>Current ECHA Candidate List: JUNE 2024 (241)</p> <p>Candidate List Declared Against: JUNE 2024 (241)</p> <p>SVHC &gt; Threshold:</p> <p>Pb (13% in Component Part)</p>
--	---

**Article Safe Usage Statements:**

Do not eat, drink or smoke when using this product. Wash thoroughly after handling. Recycle if possible and dispose of the article by following all applicable governmental regulations relevant to your geographic location.

Halogen Content	Low Halogen - Br, Cl, F, I < 900 ppm per homogenous material. Also BFR/CFR/PVC Free
-----------------	---

Solder Process Capability	Reflow solder capable to 260°C
---------------------------	--------------------------------

#### Product Compliance Disclaimer

This information is provided based on reasonable inquiry of our suppliers and represents our current actual knowledge based on the information they provided. This information is subject to change. The part numbers that TE has identified as EU RoHS compliant have a maximum concentration of 0.1% by weight in homogenous materials for lead, hexavalent chromium, mercury, PBB, PBDE, DBP, BBP, DEHP, DIBP, and 0.01% for cadmium, or qualify for an exemption to these limits as defined in the Annexes of Directive 2011/65/EU (RoHS2). Finished electrical and electronic equipment products will be CE marked as required by Directive 2011/65/EU. Components may not be CE marked. Additionally, the part numbers that TE has identified as EU ELV compliant have a maximum concentration of 0.1% by weight in homogenous materials for lead, hexavalent chromium, and mercury, and 0.01% for cadmium, or qualify for an exemption to these limits as defined in the Annexes of Directive 2000/53/EC (ELV). Regarding the REACH Regulation, the information TE provides on SVHC in articles for this part number is based on the latest European Chemicals Agency (ECHA) 'Guidance on

requirements for substances in articles' posted at this URL: <https://echa.europa.eu/guidance-documents/guidance-on-reach>

## Compatible Parts

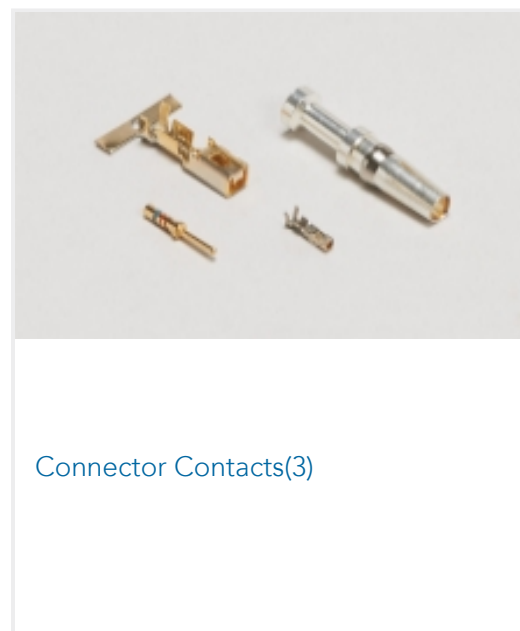


TE Part # 1-1375875-8  
PLUG HSG,40POS,0.8MM MICRO INT

## Also in the Series | AMPMODU MICRO



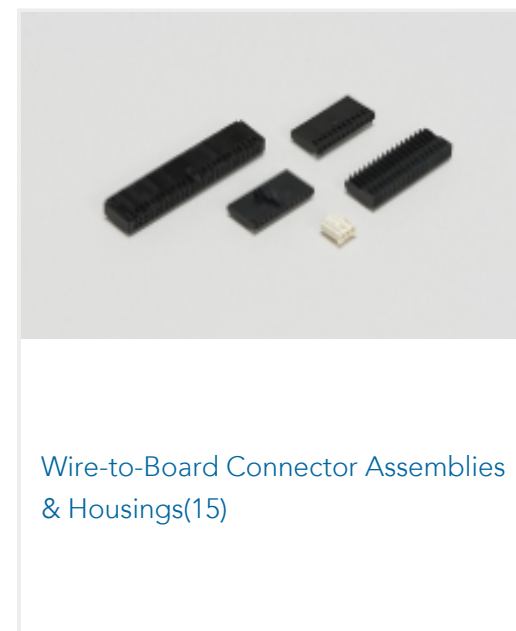
Connector Caps & Covers(2)



Connector Contacts(3)



PCB Headers & Receptacles(23)



Wire-to-Board Connector Assemblies & Housings(15)



Wire-to-Board Headers & Receptacles (23)

## Customers Also Bought



TE Part #1-1630019-4  
HSC200 2K4 5%



TE Part #YD369-B99-NP400000  
369 9 WAY PANEL MNT REC, 90 PCB GOLD,PIN



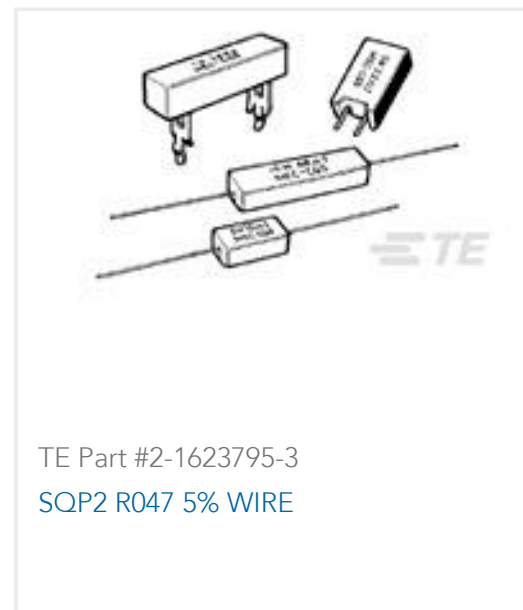
TE Part #1-1969694-4  
PTL 1X4 PCB HEADER R/A HITEMP KEY A LGR



TE Part #9-2176397-4  
3502 7K5 1%



TE Part #YD369-B99-NS400000  
369 9 WAY PANEL MNT REC, 90 PCB  
GOLD,SKT



TE Part #2-1623795-3  
SQP2 R047 5% WIRE



TE Part #YD369-B99-AP400000  
369 9 WAY PANEL MNT REC, 90 PCB  
GOLD,PIN



TE Part #YDTS24T15-18PNV001  
RECP ASSY



TE Part #YDTS24T21-35SNV001  
RECP ASSY

## Documents

### Product Drawings

[RCPT ASSY,40 POS,VERT,0.8MM MI](#)

English

### CAD Files

Customer View Model

[ENG\\_CVM\\_1-1375870-8\\_B.2d\\_dxf.zip](#)

English

Customer View Model

[ENG\\_CVM\\_1-1375870-8\\_B.3d\\_igs.zip](#)

English

Customer View Model

[ENG\\_CVM\\_1-1375870-8\\_B.3d\\_stp.zip](#)

English

### 3D PDF

English

By downloading the CAD file I accept and agree to the [Terms and Conditions](#) of use.

### Product Specifications

[Application Specification](#)

English

### Agency Approvals

[Agency Approval Document](#)

English