

202G611-55-0 ✓ ACTIVE

RAYCHEM

TE Internal #: 092766-000

TE Internal Description: 202G611-55-0

Convuluted Heat Shrink Uni Boots: Lipped, Straight

[View on TE.com >](#)



### All Convuluted Heat Shrink Uni Boots: Lipped, Straight (59)

## Product Compliance

[For compliance documentation, visit the product page on TE.com>](#)

EU RoHS Directive 2011/65/EU	Compliant
EU ELV Directive 2000/53/EC	Compliant
China RoHS 2 Directive MIIT Order No 32, 2016	No Restricted Materials Above Threshold
EU REACH Regulation (EC) No. 1907/2006	Current ECHA Candidate List: JUNE 2024 (241) Candidate List Declared Against: JUNE 2024 (241) Does not contain REACH SVHC
Halogen Content	Low Bromine/Chlorine - Br and Cl < 900 ppm per homogenous material. Also BFR /CFR/PVC Free
Solder Process Capability	Not applicable for solder process capability

### Product Compliance Disclaimer

This information is provided based on reasonable inquiry of our suppliers and represents our current actual knowledge based on the information they provided. This information is subject to change. The part numbers that TE has identified as EU RoHS compliant have a maximum concentration of 0.1% by weight in homogenous materials for lead, hexavalent chromium, mercury, PBB, PBDE, DBP, BBP, DEHP, DIBP, and 0.01% for cadmium, or qualify for an exemption to these limits as defined in the Annexes of Directive 2011/65/EU (RoHS2). Finished electrical and electronic equipment products will be CE marked as required by Directive 2011/65/EU. Components may not be CE marked. Additionally, the part numbers that TE has identified as EU ELV compliant have a maximum concentration of 0.1% by weight in homogenous materials for lead, hexavalent chromium, and mercury, and 0.01% for cadmium, or qualify for an exemption to these limits as defined in the Annexes of Directive 2000/53/EC (ELV). Regarding the REACH Regulation, the information TE provides on SVHC in articles for this part number is based on the latest European Chemicals Agency (ECHA) 'Guidance on requirements for substances in articles' posted at this URL: <https://echa.europa.eu/guidance-documents/guidance-on-reach>

## Compatible Parts



TE Part # 195133-000  
S1255-04-3/4X100FT

### Customers Also Bought



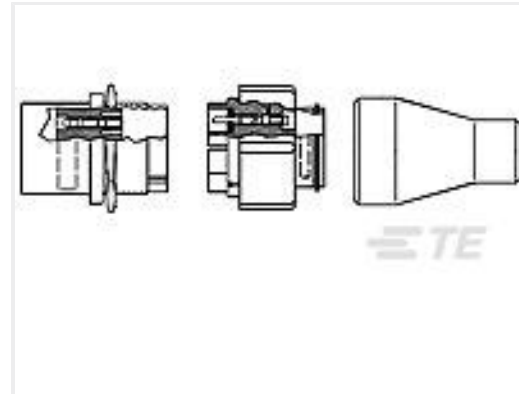
TE Part # AAF7065-00  
BTH3-17-09-1-ZN-SE



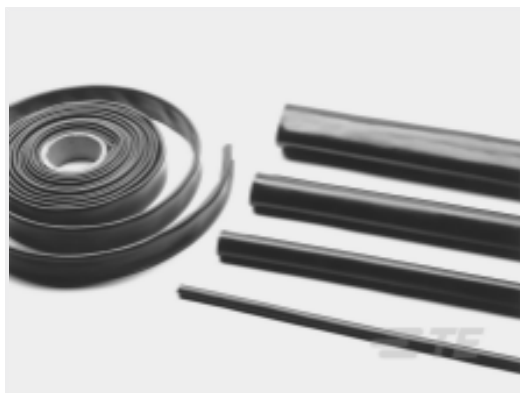
TE Part # C37989-000  
202G211-780-0



TE Part # C74757-000  
202G632-780-0



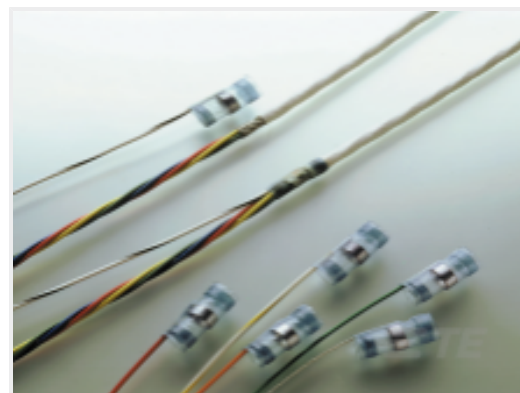
TE Part # 863015-1  
PIN PLUG & RECEPT KIT



TE Part # F97757-000  
RT-780-1/8-0-SP



TE Part # AAF7068-00  
BTH3-17-12-1-B-SE



TE Part # 809011-000  
CWT-6-W122-9



TE Part # 025641-000  
CWT-3809-W5



TE Part # 2007778-3  
IMP100S,H,V3P10C,LG,REW46,5.5



TE Part # YDTS24Z13-08PNV001  
RECP ASSY

### Documents

#### Product Drawings

[202G611-55-0](#)

English

#### Datasheets & Catalog Pages

[1654025\\_Sec4\\_-55](#)

English

#### Raychem Molded Parts Visual Guide

English



---

### Product Specifications

Thermofit Fluoropolymer Molded Components Modified Fluoropolymer, Radiation Crosslinked, Flexible, Abrasion Resistant, Flame Retarded, Heat-Shrinkable

English