



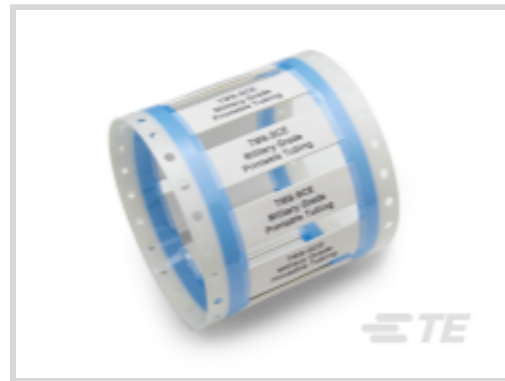
TMS-SCE

TE Internal #: 0253350001

White, Military, Ladder, Recovered ID 8.46 mm [.333 in], 3:1, 1
 Markers per Sleeve, 50 mm [2 in] Length, 25.4 mm [1 in] Expanded
 Inside, TMS-SCE

[View on TE.com >](#)

Identification & Labeling > Printable Tubing > TMS-SCE Military Grade Sleeves



Printable Tubing Type: **Ladder**
 Printable Tubing Grade: **Military**
 Shrink Ratio: **3:1**
 Primary Product Color: **White**
 Markers per Sleeve: 1

[All TMS-SCE Military Grade Sleeves \(147\)](#)

Features

Product Type Features

Printable Tubing Type	Ladder
Printable Tubing Grade	Military

Body Features

Shrink Ratio	3:1
Primary Product Color	White
Markers per Sleeve	1

Dimensions

Product Length	50 mm[2 in]
Expanded Inside Diameter (Min)	25.4 mm[1 in]
Recovered Inside Diameter (Max)	8.46 mm[.333 in]
Compatible Cable Diameter Range	9.2 – 21.5 mm[.366 – .85 in]

Usage Conditions

Operating Temperature Range	-55 – 135 °C[-67 – 275 °F]
-----------------------------	----------------------------

Printer/Label Features

Printer Technology	Thermal Transfer
--------------------	------------------



Packaging Features

Packaging Quantity	1000
--------------------	------

Product Compliance

[For compliance documentation, visit the product page on TE.com>](#)

EU RoHS Directive 2011/65/EU	Compliant
EU ELV Directive 2000/53/EC	Compliant
China RoHS 2 Directive MIIT Order No 32, 2016	有害物质含量符合标准要求 No Restricted Substance(s) Above Threshold
EU REACH Regulation (EC) No. 1907/2006	Current ECHA Candidate List: JUNE 2025 (250) Candidate List Declared Against: JUNE 2025 (250) Does not contain REACH SVHC
Halogen Content	Not Low Halogen - contains Br or Cl > 900 ppm.
Solder Process Capability	Not applicable for solder process capability

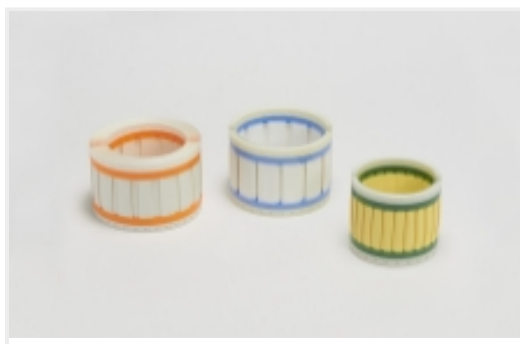
Product Compliance Disclaimer

This information is provided based on reasonable inquiry of our suppliers and represents our current actual knowledge based on the information they provided. This information is subject to change. The part numbers that TE has identified as EU RoHS compliant have a maximum concentration of 0.1% by weight in homogenous materials for lead, hexavalent chromium, mercury, PBB, PBDE, DBP, BBP, DEHP, DIBP, and 0.01% for cadmium, or qualify for an exemption to these limits as defined in the Annexes of Directive 2011/65/EU (RoHS2). Finished electrical and electronic equipment products will be CE marked as required by Directive 2011/65/EU. Components may not be CE marked. Additionally, the part numbers that TE has identified as EU ELV compliant have a maximum concentration of 0.1% by weight in homogenous materials for lead, hexavalent chromium, and mercury, and 0.01% for cadmium, or qualify for an exemption to these limits as defined in the Annexes of Directive 2000/53/EC (ELV). Regarding the REACH Regulation, the information TE provides on SVHC in articles for this part number is based on the latest European Chemicals Agency (ECHA) 'Guidance on requirements for substances in articles' posted at this URL: <https://echa.europa.eu/guidance-documents/guidance-on-reach>

Compatible Parts

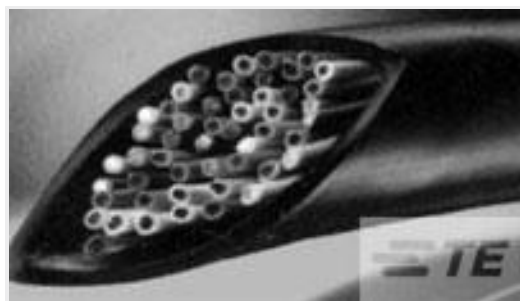
 <p>TE Part # 1-2186503-1 T3224-SWARE-PRINTER</p>	 <p>TE Part # 1-2186502-1 T3224-PRINTER</p>	 <p>TE Part # 1-2186500-1 T3212-PRINTER</p>	 <p>TE Part # 1-2186501-1 T3212-SWARE-PRINTER</p>
--	--	--	--

Also in the Series | TMS-SCE



Printable Tubing(147)

Customers Also Bought



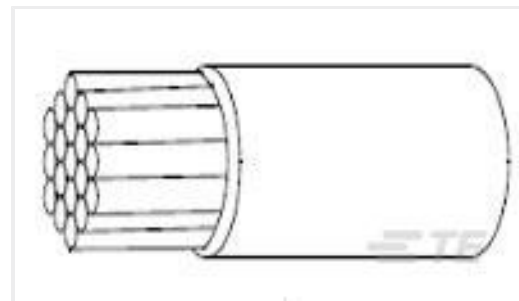
TE Part #3215554002
NTFR-1-3/4-0-SP



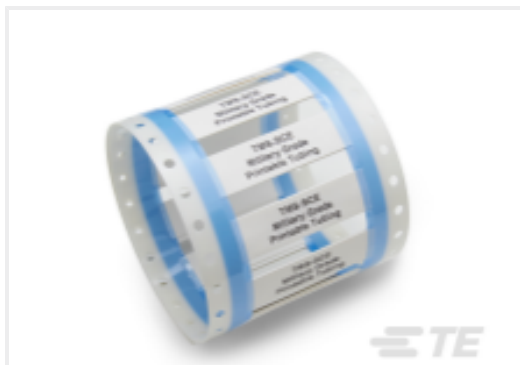
TE Part #216787-000
SO96-3-55-22-90



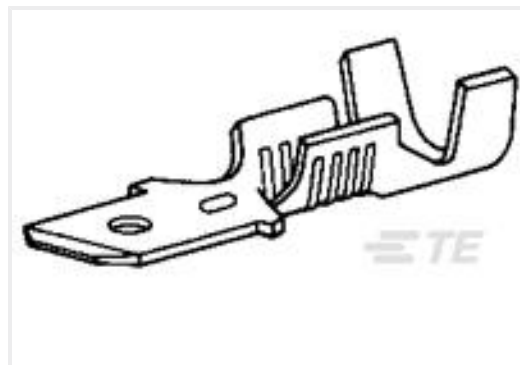
TE Part #236834-000
SO96-2-55-22-90



TE Part #440031-000
22759/44-22-9



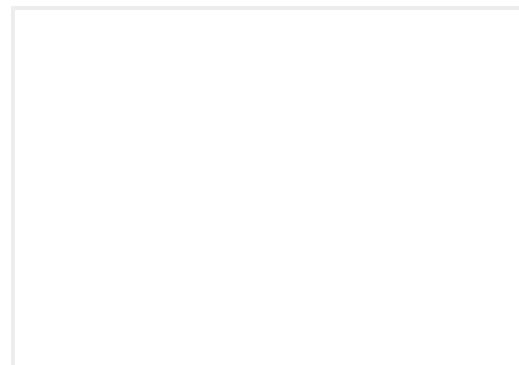
TE Part #CAT-T3437-T548
TMS-SCE Military Grade Sleeves



TE Part #62531-1
205 FASTON TAB 18-14 AWG TPBR



TE Part #1-1625995-2
HSC75 50K 10%



TE Part #CT81163001
XTC113988A-1

Documents

Product Drawings

TMS-SCE-1K-1-2.0-9

English

Datasheets & Catalog Pages

IDENTIFICATION SELECTION GUIDE

English

TMS-SCE Heat Shrinkable Sleeves

English

Cable Identification Product Shelf Life

English

Product Specifications

Product Specification

English

Instruction Sheets

Instruction Sheet (non U.S.)



English