

101A083-100-0 ✓ ACTIVE

RAYCHEM

TE Internal #: 025307-000

Single Wall Heat Shrink Cap, 100 Material Code, 100 Material Systems Code, Adhesive Purchased Separately, -30 – 105 °C [-22 – 221 °F]

[View on TE.com >](#)



Wire Protection & Management > Heat Shrink Shapes > Heat Shrink Caps



Wall Type: **Single Wall**

Material Code: **100**

Material Systems Code: **100**

Adhesive Requirement: **Adhesive Purchased Separately**

Operating Temperature Range: **-30 – 105 °C [-22 – 221 °F]**

Features

Dimensions

Recovered Wall Thickness (Nominal)	2.79 mm[.11 in]
Product Length	101 mm[4 in]
Wall Thickness	Medium
Recovered Inside Diameter (Max)	22.9 mm[.9 in]
Expanded Inside Diameter (Min)	50.8 mm[2 in]

Other

Molded Part Shape Code	101A
Size Code	83
EU RoHS Compliance	Compliant
EU ELV Compliance	Compliant

Usage Conditions

Flammability Performance	Flame-Retardant
Resistance Properties	Immersion Protection
Resistance Protection	Suitable for occasional exposure to fluids
Operating Temperature Range	-30 – 105 °C[-22 – 221 °F]

Body Features

Shrink Ratio	2:1
Primary Product Color	Black



Flexibility	Flexible
Primary Product Material	Crosslinked Polyolefin
Sealant Type	None
Material Code	100
Material Systems Code	100

Product Type Features

Wall Type	Single Wall
-----------	-------------

Configuration Features

Adhesive Requirement	Adhesive Purchased Separately
----------------------	-------------------------------

Product Compliance

[For compliance documentation, visit the product page on TE.com>](#)

EU RoHS Directive 2011/65/EU	Compliant
EU ELV Directive 2000/53/EC	Compliant
China RoHS 2 Directive MIIT Order No 32, 2016	No Restricted Materials Above Threshold
EU REACH Regulation (EC) No. 1907/2006	Current ECHA Candidate List: JUNE 2024 (241) Candidate List Declared Against: JUNE 2024 (241) Does not contain REACH SVHC
Halogen Content	Low Halogen - Br, Cl, F, I < 900 ppm per homogenous material. Also BFR/CFR/PVC Free
Solder Process Capability	Not applicable for solder process capability

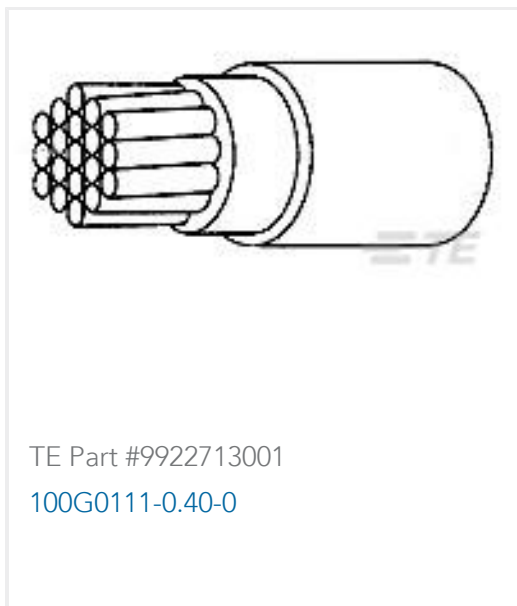
Product Compliance Disclaimer

This information is provided based on reasonable inquiry of our suppliers and represents our current actual knowledge based on the information they provided. This information is subject to change. The part numbers that TE has identified as EU RoHS compliant have a maximum concentration of 0.1% by weight in homogenous materials for lead, hexavalent chromium, mercury, PBB, PBDE, DBP, BBP, DEHP, DIBP, and 0.01% for cadmium, or qualify for an exemption to these limits as defined in the Annexes of Directive 2011/65/EU (RoHS2). Finished electrical and electronic equipment products will be CE marked as required by Directive 2011/65/EU. Components may not be CE marked. Additionally, the part numbers that TE has identified as EU ELV compliant have a maximum concentration of 0.1% by weight in homogenous materials for lead, hexavalent chromium, and mercury, and 0.01% for cadmium, or qualify for an exemption to these limits as defined in the Annexes of Directive 2000/53/EC (ELV). Regarding the REACH Regulation, the information TE provides on SVHC in articles for this part number is based on the latest European Chemicals Agency (ECHA) 'Guidance on requirements for substances in articles' posted at this URL: <https://echa.europa.eu/guidance-documents/guidance-on-reach>

Compatible Parts



Customers Also Bought



Documents

Product Drawings

[101A083-100-0](#)

English

Datasheets & Catalog Pages

[1654025_Sec4_-100](#)

English

[1654025_Sec4_101A011to094](#)

English

Raychem Molded Parts Visual Guide

English

Product Specifications

[Product Specification](#)

English