



TMS-SCE

TE Internal #: 0039630001

White, Military, Ladder, Recovered ID 3.18 mm [.125 in], 3:1, 3

Prescores, 2 Markers per Sleeve, 25.4 mm [1 in] Length

[View on TE.com >](#)

Identification & Labeling > Printable Tubing > TMS-SCE Military Grade Sleeves



Printable Tubing Type: **Ladder**

Printable Tubing Grade: **Military**

Shrink Ratio: **3:1**

Primary Product Color: **White**

Number of Prescores: **3**

[All TMS-SCE Military Grade Sleeves \(147\)](#)

**Features**

**Product Type Features**

Printable Tubing Type	Ladder
Printable Tubing Grade	Military

**Body Features**

Shrink Ratio	3:1
Primary Product Color	White
Markers per Sleeve	2

**Dimensions**

Product Length	25.4 mm[1 in]
Expanded Inside Diameter (Min)	9.53 mm[.375 in]
Recovered Inside Diameter (Max)	3.18 mm[.125 in]
Compatible Cable Diameter Range	3.4 – 8.1 mm[.137 – .32 in]

**Usage Conditions**

Operating Temperature Range	-55 – 135 °C[-67 – 275 °F]
-----------------------------	----------------------------

**Printer/Label Features**

Printer Technology	Thermal Transfer
Number of Prescores	3

**Packaging Features**



Packaging Quantity	250
--------------------	-----

### Product Compliance

[For compliance documentation, visit the product page on TE.com>](#)

EU RoHS Directive 2011/65/EU	Compliant
EU ELV Directive 2000/53/EC	Compliant
China RoHS 2 Directive MIIT Order No 32, 2016	有害物质含量符合标准要求 No Restricted Substance(s) Above Threshold
EU REACH Regulation (EC) No. 1907/2006	Current ECHA Candidate List: JUNE 2025 (250) Candidate List Declared Against: JUNE 2025 (250) Does not contain REACH SVHC
Halogen Content	Not Low Halogen - contains Br or Cl > 900 ppm.
Solder Process Capability	Not applicable for solder process capability

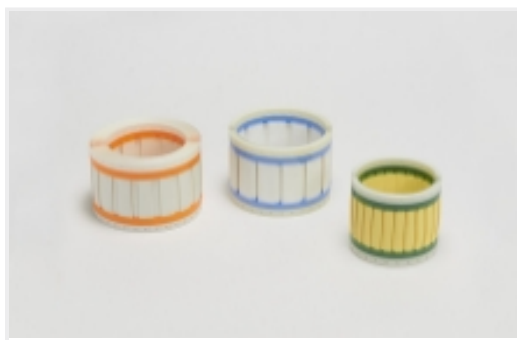
#### Product Compliance Disclaimer

This information is provided based on reasonable inquiry of our suppliers and represents our current actual knowledge based on the information they provided. This information is subject to change. The part numbers that TE has identified as EU RoHS compliant have a maximum concentration of 0.1% by weight in homogenous materials for lead, hexavalent chromium, mercury, PBB, PBDE, DBP, BBP, DEHP, DIBP, and 0.01% for cadmium, or qualify for an exemption to these limits as defined in the Annexes of Directive 2011/65/EU (RoHS2). Finished electrical and electronic equipment products will be CE marked as required by Directive 2011/65/EU. Components may not be CE marked. Additionally, the part numbers that TE has identified as EU ELV compliant have a maximum concentration of 0.1% by weight in homogenous materials for lead, hexavalent chromium, and mercury, and 0.01% for cadmium, or qualify for an exemption to these limits as defined in the Annexes of Directive 2000/53/EC (ELV). Regarding the REACH Regulation, the information TE provides on SVHC in articles for this part number is based on the latest European Chemicals Agency (ECHA) 'Guidance on requirements for substances in articles' posted at this URL: <https://echa.europa.eu/guidance-documents/guidance-on-reach>

### Compatible Parts

 <p>TE Part # 1-2186501-1 T3212-SWARE-PRINTER</p>	 <p>TE Part # 1-2186503-1 T3224-SWARE-PRINTER</p>	 <p>TE Part # 1-2186502-1 T3224-PRINTER</p>	 <p>TE Part # 1-2186500-1 T3212-PRINTER</p>
--	--	--	--

### Also in the Series | TMS-SCE



[Printable Tubing\(147\)](#)

## Customers Also Bought



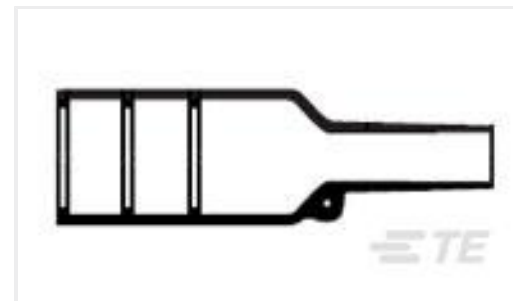
TE Part #139321-000  
[SO96-1-00](#)



TE Part #A98991-000  
[HX-SCE-1K-9.5-50-9](#)



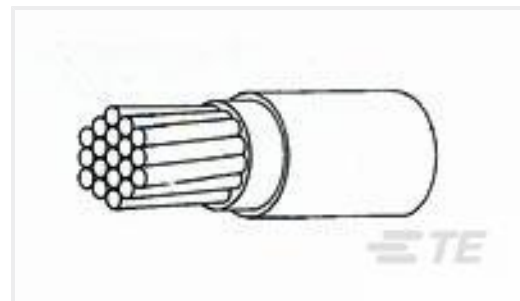
TE Part #201595-000  
[SO96-2-00](#)



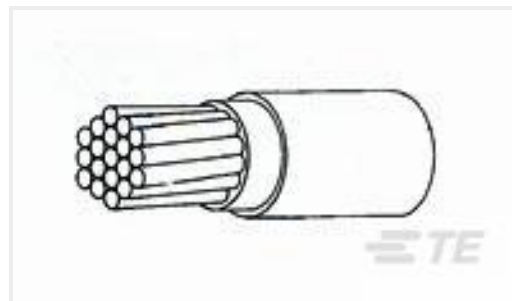
TE Part #539835-000  
[202K142-100/86-0](#)



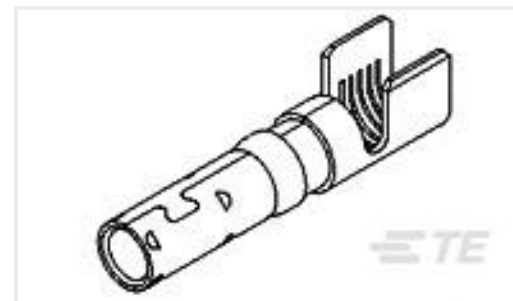
TE Part #956012-000  
[SO96-5-00](#)



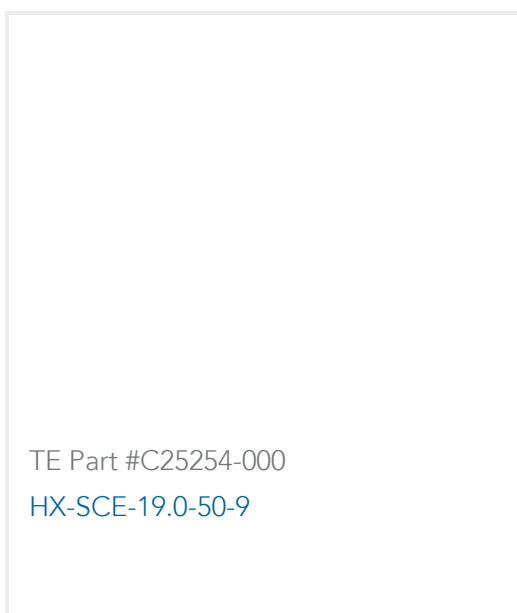
TE Part #2857523006  
[44A0111-26-2](#)



TE Part #2857593009  
[44A0111-26-9](#)



TE Part #213847-3  
[POWERBAND CONT ASSY,SILVER PLT](#)



TE Part #C25254-000  
[HX-SCE-19.0-50-9](#)

## Documents

### Product Drawings

[TMS-SCE-3/8-2.0-S3-9](#)

English

### Datasheets & Catalog Pages

[TMS-SCE Heat Shrinkable Sleeves](#)

English

[Cable Identification Product Shelf Life](#)

English



---

## Product Specifications

### Product Specification

English

---

## Instruction Sheets

### Instruction Sheet (non U.S.)

English