

EM-PNET-GATEWAY-IFS - Data interface



2904472

<https://www.phoenixcontact.com/nl/products/2904472>

Please be informed that the data shown in this PDF document is generated from our online catalog. Please find the complete data in the user documentation. Our general terms of use for downloads are valid.



Gateway for the connection of up to 32 Interface system devices to a higher-level controller via PROFINET. The Interface system devices are connected to the gateway via DIN rail connectors. The DIN rail connectors are provided.

Commercial data

Item number	2904472
Packing unit	1 pc
Minimum order quantity	1 pc
Sales key	DK7711
Product key	DK7711
GTIN	4046356826471
Weight per piece (including packing)	168,56 g
Weight per piece (excluding packing)	146,61 g
Customs tariff number	85176200
Country of origin	DE

2904472

<https://www.phoenixcontact.com/nl/products/2904472>

Technical data

Product properties

Operating mode	100% operating factor
----------------	-----------------------

Insulation characteristics

Overvoltage category	III
Pollution degree	2

Electrical properties

Supply

Rated control circuit supply voltage U_S	24 V DC -20 % ... +25 %
Rated control supply current I_S	85 mA (plus load current of the outputs)
Protective circuit	Reverse polarity protection
	Surge protection

Input data

Digital

Number	8
Rated actuating voltage U_C	24 V DC \pm 20 %
Rated actuating current I_C	3 mA
Protective circuit	Reverse polarity protection
	Surge protection

Output data

Digital: Switching outputs

Number	4
Rated output voltage U_{S0}	24 V DC
Residual voltage	1 V
Maximum switching voltage	23 V DC ($U_B - U_{resid.}$ of the output)
Max. switching current	500 mA (per output)
Protective circuit	Parallel protection against polarity reversal, pay attention to the fuse (Fusing with max. 8 A F-fuse)

Connection data

Supply

Connection method	Push-in connection
Stripping length	10 mm
Conductor cross-section rigid	0.2 mm ² ... 2.5 mm ²
Conductor cross-section flexible	0.2 mm ² ... 2.5 mm ²
Conductor cross-section AWG	24 ... 12

Programming connection

2904472

<https://www.phoenixcontact.com/nl/products/2904472>

Connection method	S-PORT (socket)
Number of connections	1
Number of positions	12

INTERFACE system

Connection method	DIN rail bus connector
Number of connections	1
Number of positions	5

PROFINET

Connection method	RJ45
Number of connections	2

Interfaces

Data: Network interface

Communication protocol	PROFINET
Connection method	RJ45 jack
Number of connections	2
Transmission speed	10 Mbps 100 Mbps

Data: Service interface

Communication protocol	Interface-System
Connection method	S-PORT (socket)
Number of connections	1
Number of positions	12

Data: Device bus

Communication protocol	Interface-System
Connection method	DIN rail bus connector
Number of connections	1
Number of positions	5
Transmission speed	76.8 kbps

Dimensions

Width	22.5 mm
Height	107.8 mm
Depth	113.8 mm

Material specifications

Color	gray (RAL 7042)
Housing material	Polyamide PA non-reinforced

Environmental and real-life conditions

Ambient conditions

EM-PNET-GATEWAY-IFS - Data interface



2904472

<https://www.phoenixcontact.com/nl/products/2904472>

Degree of protection	IP20
Ambient temperature (operation)	-35 °C ... 50 °C
Ambient temperature (storage/transport)	-35 °C ... 80 °C

Standards and regulations

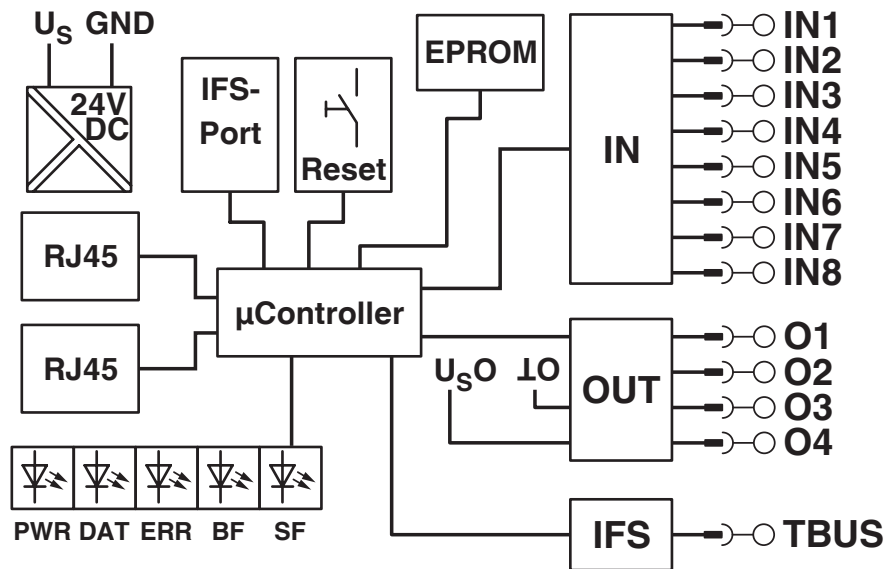
Standards/regulations	EN 61131-2
-----------------------	------------

Mounting

Mounting type	DIN rail mounting
Assembly note	in rows with zero spacing
Mounting position	any

Drawings

Block diagram



2904472

<https://www.phoenixcontact.com/nl/products/2904472>

Approvals

🔗 To download certificates, visit the product detail page: <https://www.phoenixcontact.com/nl/products/2904472>



EAC

Approval ID: RU C-DE.A*30.B.01082



UL Listed

Approval ID: E140324



cUL Listed

Approval ID: E140324

PROFINET

Approval ID: Z12110

2904472

<https://www.phoenixcontact.com/nl/products/2904472>

Classifications

ECLASS

ECLASS-13.0	27242608
ECLASS-15.0	27242608

ETIM

ETIM 10.0	EC001604
-----------	----------

UNSPSC

UNSPSC 21.0	32151600
-------------	----------

2904472

<https://www.phoenixcontact.com/nl/products/2904472>

Environmental product compliance

EU RoHS

Fulfills EU RoHS substance requirements	Yes
Exemption	7(a), 7(c)-I

China RoHS

Environment friendly use period (EFUP)	EFUP-50
	An article-related China RoHS declaration table can be found in the download area for the respective article under "Manufacturer declaration". For all articles with EFUP-E, no China RoHS declaration table issued and required.

EU REACH SVHC

REACH candidate substance (CAS No.)	Lead(CAS: 7439-92-1)
	2,2',6,6'-tetrabromo-4,4'-isopropylidenediphenol(CAS: 79-94-7)
SCIP	f0b90d33-acc6-4fc1-b3ff-12aad15063cc

Phoenix Contact 2026 © - all rights reserved
<https://www.phoenixcontact.com>

PHOENIX CONTACT B.V.
Hengelder 56 6902 PA Zevenaar
Postbus 246 6900 AE Zevenaar
(0316) 59 17 20
sales@phoenixcontact.nl