

AI 16-18 BU-1000 - Ferrule

2100035

<https://www.phoenixcontact.com/nl/products/2100035>

Please be informed that the data shown in this PDF document is generated from our online catalog. Please find the complete data in the user documentation. Our general terms of use for downloads are valid.

Ferrule, Length contact range: 18 mm, sleeve length: 28 mm, color: blue



Commercial data

Item number	2100035
Packing unit	1.000 pc
Minimum order quantity	1.000 pc
Sales key	BH3411
Product key	BH3411
GTIN	4067923213180
Weight per piece (including packing)	1,112 g
Weight per piece (excluding packing)	22,22 g
Customs tariff number	85369010
Country of origin	DE

Technical data

Product properties

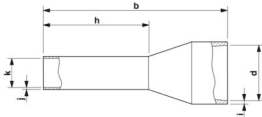
Conductor category	stranded conductors, class 2, 5, 6 / B, C, K, M
Product property	UL certified
	Made from soft tin-plated electrolytic copper
	Correspond to the requirements of DIN 46228-4 and UL 486F in terms of size
	Plastic collar made of polypropylene
	Halogen-free
	Long/short-term temperature: +105°C/+120°C

Connection data

Conductor connection

Conductor cross-section flexible max.	16 mm ²
Conductor cross-section AWG max.	6
Stripping length	22 mm

Dimensions

Dimensional drawing	
Sleeve length	28 mm
Length contact range	18 mm
Maximum stripping length	22 mm
Ferrule diameter	5.8 mm
Sleeve wall thickness	0.2 mm
Insulating collar thickness	0.4 mm
Inner dimensions of the insulating collar	8.8 mm

Material specifications

Color	blue (RAL 5015)
Flammability rating according to UL 94	HB
Coating	galvanically tin-plated
Surface characteristics	Tin-plated
Components	free from silicone and halogen

Mechanical properties

Technical data

Sleeve length	28 mm
---------------	-------

AI 16-18 BU-1000 - Ferrule

2100035

<https://www.phoenixcontact.com/nl/products/2100035>



Standards and regulations

Design according to standard

Special color

Drawings

Dimensional drawing



Sleeve length (b), length contact range (h), insulating collar inner dimension (d), sleeve diameter (k), insulating collar thickness (i), sleeve wall thickness (j)

AI 16-18 BU-1000 - Ferrule



2100035

<https://www.phoenixcontact.com/nl/products/2100035>

Approvals

To download certificates, visit the product detail page: <https://www.phoenixcontact.com/nl/products/2100035>



cULus Listed

Approval ID: E488001

AI 16-18 BU-1000 - Ferrule



2100035

<https://www.phoenixcontact.com/nl/products/2100035>

Classifications

ECLASS

ECLASS-13.0	27400201
ECLASS-15.0	27400201

ETIM

ETIM 10.0	EC000005
-----------	----------

UNSPSC

UNSPSC 21.0	27121700
-------------	----------

AI 16-18 BU-1000 - Ferrule

2100035

<https://www.phoenixcontact.com/nl/products/2100035>



Environmental product compliance

EU RoHS

Fulfills EU RoHS substance requirements	Yes, No exemptions
---	--------------------

China RoHS

Environment friendly use period (EFUP)	EFUP-E
	No hazardous substances above the limits

EU REACH SVHC

REACH candidate substance (CAS No.)	No substance above 0.1 wt%
-------------------------------------	----------------------------

Phoenix Contact 2026 © - all rights reserved
<https://www.phoenixcontact.com>

PHOENIX CONTACT B.V.
Hengelder 56 6902 PA Zevenaar
Postbus 246 6900 AE Zevenaar
(0316) 59 17 20
sales@phoenixcontact.nl