

SAC-MS/0,3PVC/BI-1LZ110V BK180 - Sensor/actuator cable



1416157

<https://www.phoenixcontact.com/nl/products/1416157>

Please be informed that the data shown in this PDF document is generated from our online catalog. Please find the complete data in the user documentation. Our general terms of use for downloads are valid.



Sensor/actuator cable, 3-position, PVC, black RAL 9005, Plug straight M12 SPEEDCON, coding: A, on Valve connector BI (11 mm), with 1 LED, Wiring: Z diode, cable length: 0.3 m, 180° version

Commercial data

Item number	1416157
Packing unit	1 pc
Minimum order quantity	100 pc
Sales key	AF1DMA
Product key	AF1DMA
GTIN	4055626066509
Weight per piece (including packing)	41,8 g
Weight per piece (excluding packing)	41,3 g
Customs tariff number	85444290
Country of origin	PL

SAC-MS/0,3PVC/BI-1LZ110V BK180 - Sensor/actuator cable



1416157

<https://www.phoenixcontact.com/nl/products/1416157>

Technical data

Product properties

Application	Standard
Number of positions	3
No. of cable outlets	1
Coding	A

Insulation characteristics

Overvoltage category	III
Degree of pollution	3

Material specifications

Flammability rating according to UL 94	HB
Seal material	TPU
Material housing valve plug	TPU
Material of grip body	TPU
Contact material	CuSn
Contact surface material	Ni/Au
Contact carrier material	TPU GF
Contact material	CuSn
Valve plug contact insert material	PA 6.6
Contact surface material	Sn
Material for screw connection	Zinc die-cast, nickel-plated

Electrical properties

Insulation resistance	$\geq 100 \text{ M}\Omega$
Nominal voltage U_N	48 V AC
	60 V DC
Nominal current I_N	4 A

Mechanical properties

Mechanical data

Insertion/withdrawal cycles	≥ 100 (M12 connector)
-----------------------------	----------------------------

Signaling

Status display	1 LED
Status display present	yes

Connector

Connection 1

Type	Plug straight M12 SPEEDCON
Locking type	SPEEDCON

SAC-MS/0,3PVC/BI-1LZ110V BK180 - Sensor/actuator cable



1416157

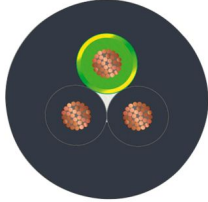
<https://www.phoenixcontact.com/nl/products/1416157>

Coding type	A
Connection 2	
Type	Valve connector BI (11 mm)
Material	CuSn (Contact)
	Sn (Contact surface)
	PA 6.6 (Contact carrier)
	TPU (Housing)
Protective circuit	Z diode

Cable/line

Cable length	0.3 m
--------------	-------

PVC black [PVC]

Dimensional drawing	
Cable weight	38.6 kg/km
UL AWM Style	2464
Number of positions	3
Shielded	no
Cable type	PVC black [PVC]
Conductor structure signal line	16x 0.20 mm
AWG signal line	20
Conductor cross-section	3x 0.5 mm ²
Wire diameter incl. insulation	1.5 mm ±0.05 mm
External cable diameter	4.80 mm ±0.2 mm
Outer sheath, material	PVC
External sheath, color	black RAL 9005
Conductor material	Bare Cu litz wires
Material wire insulation	PVC
Single wire, color	black 1, black 2, green/yellow
Overall twist	3 wires, twisted
Max. conductor resistance	39 Ω/km (at 20 °C)
Insulation resistance	≥ 20 MΩ*km
Nominal voltage, cable	300 V
Test voltage	1200 V
Minimum bending radius, fixed installation	5 x D
Smallest bending radius, fixed installation	24 mm
Flame resistance	DIN VDE 0482

SAC-MS/0,3PVC/BI-1LZ110V BK180 - Sensor/actuator cable



1416157

<https://www.phoenixcontact.com/nl/products/1416157>

	DIN EN 50265-2-1
Resistance to oil	in accordance with DIN EN 60811-2-1
Ambient temperature (operation)	-40 °C ... 80 °C (cable, fixed installation)
	-5 °C ... 80 °C (Cable, flexible installation)

Environmental and real-life conditions

Ambient conditions

Degree of protection	IP65
	IP67
Ambient temperature (operation) (male connector/female connector)	-25 °C ... 90 °C (Plug / socket)
Ambient temperature (operation) (Valve connector)	-20 °C ... 85 °C (Valve connector)

Standards and regulations

M12

Standard designation	M12 connector
Standards/specifications	IEC 61076-2-101

SAC-MS/0,3PVC/BI-1LZ110V BK180 - Sensor/actuator cable

1416157

<https://www.phoenixcontact.com/nl/products/1416157>

Drawings

Dimensional drawing



Plug, M12 x 1, straight, shielded

Dimensional drawing



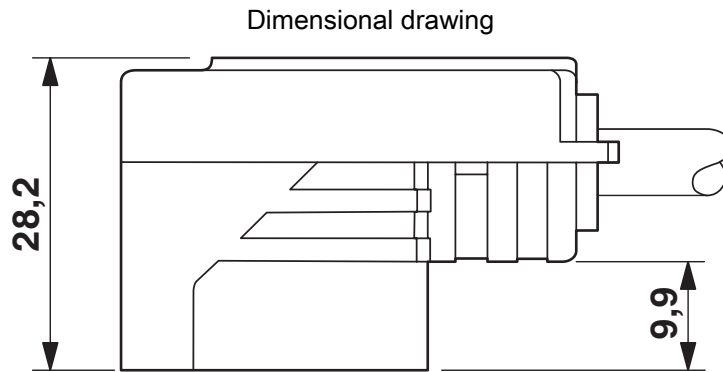
Valve connector, type BI

SAC-MS/0,3PVC/BI-1LZ110V BK180 - Sensor/actuator cable

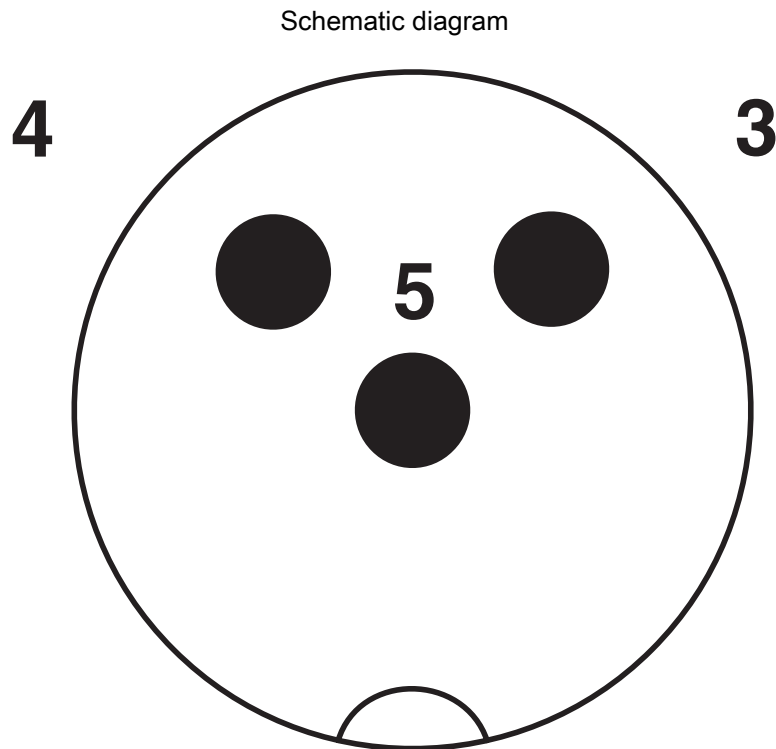


1416157

<https://www.phoenixcontact.com/nl/products/1416157>



Valve connector, type BI, side view

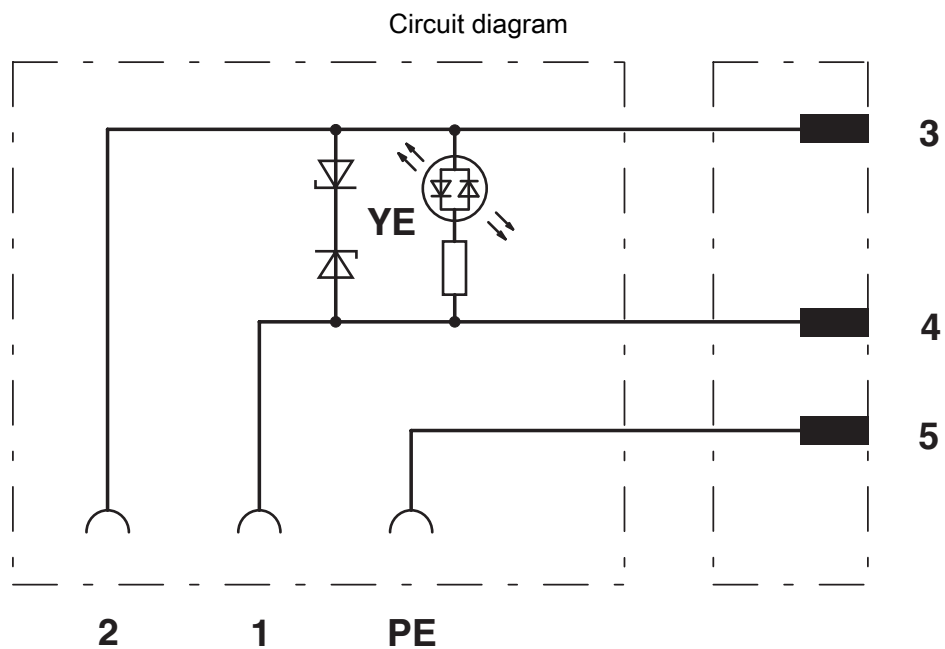


Pin assignment M12 plug, 3-pos., valve connector

SAC-MS/0,3PVC/BI-1LZ110V BK180 - Sensor/actuator cable

1416157

<https://www.phoenixcontact.com/nl/products/1416157>



Contact assignment of M12 plug and valve connector

SAC-MS/0,3PVC/BI-1LZ110V BK180 - Sensor/actuator cable



1416157

<https://www.phoenixcontact.com/nl/products/1416157>

Classifications

ECLASS

ECLASS-13.0	27060312
ECLASS-15.0	27060312

ETIM

ETIM 10.0	EC001855
-----------	----------

UNSPSC

UNSPSC 21.0	31251500
-------------	----------

SAC-MS/0,3PVC/BI-1LZ110V BK180 - Sensor/actuator cable



1416157

<https://www.phoenixcontact.com/nl/products/1416157>

Environmental product compliance

EU RoHS

Fulfills EU RoHS substance requirements	Yes
Exemption	7(a)

China RoHS

Environment friendly use period (EFUP)	EFUP-50
	An article-related China RoHS declaration table can be found in the download area for the respective article under "Manufacturer declaration". For all articles with EFUP-E, no China RoHS declaration table issued and required.

EU REACH SVHC

REACH candidate substance (CAS No.)	Lead(CAS: 7439-92-1)
	6,6'-di-tert-butyl-2,2'-methylenedi-p-cresol(CAS: 119-47-1)
SCIP	339b04f5-dfba-4e93-9ce9-f36f4cc85aaa

Phoenix Contact 2026 © - all rights reserved
<https://www.phoenixcontact.com>

PHOENIX CONTACT B.V.
Hengelder 56 6902 PA Zevenaar
Postbus 246 6900 AE Zevenaar
(0316) 59 17 20
sales@phoenixcontact.nl