

# BC 17,8 UT HBUS BK VPE280 - Mounting base housing



1377629

<https://www.phoenixcontact.com/nl/products/1377629>

Please be informed that the data shown in this PDF document is generated from our online catalog. Please find the complete data in the user documentation. Our general terms of use for downloads are valid.

DIN rail housing for use in distribution boards in accordance with DIN 43880, Lower housing part with base latch, width: 17.8 mm, height: 89.7 mm, depth: 20.3 mm, color: black (similar RAL 9005), cross connection: DIN rail bus connector (optional), number of positions cross connector: 16



## Your advantages

- Coordinated housing and connection system for faster device development
- Individual online configuration for diverse applications in building automation
- Variety of connection technology
- Can be mounted on the DIN rail or the wall
- With DIN-rail-mountable bus connector and power connector system as an option
- Tool-free mounting
- Available in overall widths from 1 ... 9 width units (17.8 mm ... 161.6 mm)
- Compliant with DIN EN 43880

## Commercial data

|                                      |               |
|--------------------------------------|---------------|
| Item number                          | 1377629       |
| Packing unit                         | 280 pc        |
| Minimum order quantity               | 280 pc        |
| Sales key                            | ACHBAA        |
| Product key                          | ACHBAA        |
| GTIN                                 | 4063151744540 |
| Weight per piece (including packing) | 10,65 g       |
| Weight per piece (excluding packing) | 10,65 g       |
| Customs tariff number                | 84879090      |
| Country of origin                    | DE            |

# BC 17,8 UT HBUS BK VPE280 - Mounting base housing

1377629

<https://www.phoenixcontact.com/nl/products/1377629>

## Technical data

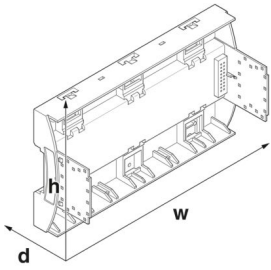
### Notes

|               |   |
|---------------|---|
| Assembly note | Please observe the application note in the download area. |
|---------------|---|

### Product properties

|                              |  |
|------------------------------|--|
| Housing type                 | DIN rail housing for use in distribution boards in accordance with DIN 43880 |
| Housing type                 | Modular building installation housings                                       |
| Housing series               | BC   |
| Product family               | BC 17,8..  |
| Max. number of positions     | 0)   |
| Ventilation openings present | no   |

### Dimensions

|                     |   |
|---------------------|---|
| Dimensional drawing |  |
| Width               | 17.8 mm   |
| Height              | 89.7 mm   |
| Depth               | 20.3 mm   |
| Horizontal pitch    | 1 Div.  |

### PCB design

|               |                   |
|---------------|-------------------|
| PCB thickness | 1.4 mm ... 1.8 mm |
|---------------|-------------------|

### Material specifications

|  |                  |
|--|------------------|
| Color (Lower housing part)             | black (RAL 9005) |
| Material Lower housing part            | PC               |
| Flammability rating according to UL 94 | V0               |
| CTI according to IEC 60112             | < 400            |
| Surface characteristics                | untreated        |

### Environmental and real-life conditions

#### Power dissipation single housing for 20 °C

|                     |          |
|---------------------|----------|
| Ambient temperature | 20 °C    |
| Reduction factor    | 1        |
| Mounting position   | vertical |
| Power dissipation   | 2.95 W   |

# BC 17,8 UT HBUS BK VPE280 - Mounting base housing



1377629

<https://www.phoenixcontact.com/nl/products/1377629>

## Power dissipation single housing for 30 °C

|                     |          |
|---------------------|----------|
| Ambient temperature | 30 °C    |
| Reduction factor    | 0.84     |
| Mounting position   | vertical |
| Power dissipation   | 2.48 W   |

## Power dissipation single housing for 40 °C

|                     |          |
|---------------------|----------|
| Ambient temperature | 40 °C    |
| Reduction factor    | 0.72     |
| Mounting position   | vertical |
| Power dissipation   | 2.12 W   |

## Power dissipation single housing for 50 °C

|                     |          |
|---------------------|----------|
| Ambient temperature | 50 °C    |
| Reduction factor    | 0.6      |
| Mounting position   | vertical |
| Power dissipation   | 1.77 W   |

## Power dissipation single housing for 60 °C

|                     |          |
|---------------------|----------|
| Ambient temperature | 60 °C    |
| Reduction factor    | 0.48     |
| Mounting position   | vertical |
| Power dissipation   | 1.42 W   |

## Power dissipation single housing for 70 °C

|                     |          |
|---------------------|----------|
| Ambient temperature | 70 °C    |
| Reduction factor    | 0.38     |
| Mounting position   | vertical |
| Power dissipation   | 1.12 W   |

## Vibration test

|                        |                             |
|------------------------|-----------------------------|
| Specification          | IEC 60068-2-6:2007-12       |
| Frequency              | 10 - 150 - 10 Hz            |
| Sweep speed            | 1 octave/min                |
| Amplitude              | 0.15 mm (10 Hz ... 58.1 Hz) |
| Acceleration           | 2g (58.1 Hz ... 150 Hz)     |
| Test duration per axis | 2.5 h                       |
| Test directions        | X-, Y- and Z-axis           |

## Glow-wire test

|                  |                        |
|------------------|------------------------|
| Specification    | IEC 60695-2-11:2014-02 |
| Temperature      | 850 °C                 |
| Time of exposure | 30 s                   |

## Mechanical strength / tumbling barrel

|                |                        |
|----------------|------------------------|
| Specification  | IEC 60068-2-31:2008-05 |
| Height of fall | 50 cm                  |

# BC 17,8 UT HBUS BK VPE280 - Mounting base housing



1377629

<https://www.phoenixcontact.com/nl/products/1377629>

|           |    |
|-----------|----|
| Frequency | 50 |
|-----------|----|

## Shocks

|                                |                                   |
|--------------------------------|-----------------------------------|
| Specification                  | IEC 60068-2-27:2008-02            |
| Pulse shape                    | Half-sine                         |
| Acceleration                   | 15g                               |
| Shock duration                 | 11 ms                             |
| Number of shocks per direction | 3                                 |
| Test directions                | X-, Y- and Z-axis (pos. and neg.) |

## Test for substances that would hinder coating with paint or varnish

|               |                    |
|---------------|--------------------|
| Specification | VDMA 24364:2018-05 |
| Result        | Test passed        |

## Degree of protection (IP code)

|                                       |   |
|---------------------------------------|---|
| Specification                         | IEC 60529:1989-11 + AMD 1:1999-11 + AMD 2:2013-08 |
| Result, degree of protection, IP code | IP20  |

## Ambient conditions

|   |  |
|---|--|
| Max. IP code to attain                  | IP20   |
| Ambient temperature (operation)         | -40 °C ... 105 °C (depending on power dissipation) |
| Ambient temperature (storage/transport) | -40 °C ... 70 °C                                   |
| Ambient temperature (assembly)          | -5 °C ... 100 °C                                   |
| Relative humidity (storage/transport)   | 95 %   |

## PCB data

|                       |                   |
|-----------------------|-------------------|
| Number of PCB holders | 2                 |
| Type of PCB mount     | Latching          |
| Thickness of the PCB  | 1.4 mm ... 1.8 mm |

## Mounting

|               |                                  |
|---------------|----------------------------------|
| Mounting type | DIN rail mounting/panel mounting |
|---------------|----------------------------------|

## Packaging specifications

|                      |                     |
|----------------------|---------------------|
| Type of packaging    | packed in cardboard |
| Outer packaging type | Carton              |

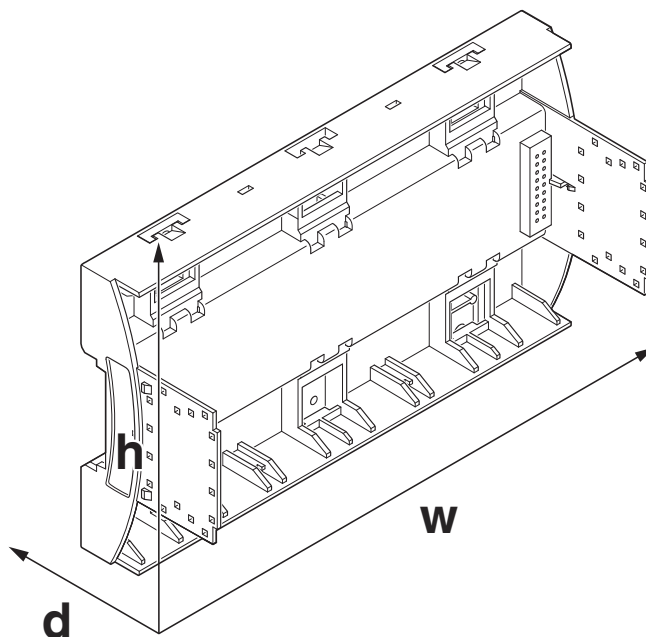
# BC 17,8 UT HBUS BK VPE280 - Mounting base housing

1377629

<https://www.phoenixcontact.com/nl/products/1377629>

## Drawings

Dimensional drawing



Schematic figure for illustrating the item dimensions. The figure is not of the desired product. For further details, refer to the product drawings in the "Downloads" tab.

# BC 17,8 UT HBUS BK VPE280 - Mounting base housing



1377629

<https://www.phoenixcontact.com/nl/products/1377629>

## Approvals

To download certificates, visit the product detail page: <https://www.phoenixcontact.com/nl/products/1377629>



**UL Recognized**  
Approval ID: E240868

# BC 17,8 UT HBUS BK VPE280 - Mounting base housing



1377629

<https://www.phoenixcontact.com/nl/products/1377629>

## Classifications

### ECLASS

|             |          |
|-------------|----------|
| ECLASS-13.0 | 27190601 |
| ECLASS-15.0 | 27190601 |

### ETIM

|           |          |
|-----------|----------|
| ETIM 10.0 | EC002779 |
|-----------|----------|

### UNSPSC

|             |          |
|-------------|----------|
| UNSPSC 21.0 | 31261500 |
|-------------|----------|

# BC 17,8 UT HBUS BK VPE280 - Mounting base housing



1377629

<https://www.phoenixcontact.com/nl/products/1377629>

## Environmental product compliance

### EU RoHS

|   |                    |
|---|--------------------|
| Fulfills EU RoHS substance requirements | Yes, No exemptions |
|---|--------------------|

### China RoHS

|  |  |
|--|--|
| Environment friendly use period (EFUP) | EFUP-E                                   |
|  | No hazardous substances above the limits |

### EU REACH SVHC

|                                     |                            |
|-------------------------------------|----------------------------|
| REACH candidate substance (CAS No.) | No substance above 0.1 wt% |
|-------------------------------------|----------------------------|

Phoenix Contact 2026 © - all rights reserved  
<https://www.phoenixcontact.com>

PHOENIX CONTACT B.V.  
Hengelder 56 6902 PA Zevenaar  
Postbus 246 6900 AE Zevenaar  
(0316) 59 17 20  
[sales@phoenixcontact.nl](mailto:sales@phoenixcontact.nl)