

SACB-8/16-PT QO - Distributor box



1175447

<https://www.phoenixcontact.com/nl/products/1175447>

Please be informed that the data shown in this PDF document is generated from our online catalog. Please find the complete data in the user documentation. Our general terms of use for downloads are valid.



Distributor box, connection method: QUICKON, 0.14 mm² ... 0.5 mm², number of slots: 8, number of positions: 5, slot assignment: Double, status display: no, Universal; master cable connection: Push-in connection 180°, shielding: no, When connecting 5 conductors, max. 0.5 mm² can be connected

Your advantages

- Safety in the field, thanks to molded housing and high degree of protection
- Convenient: increased machine availability thanks to quick and easy diagnostics
- Innovative and time-saving assembly with insulation displacement connection
- Flexible: distributor box with connector hood for on-site assembly

Commercial data

Item number	1175447
Packing unit	1 pc
Minimum order quantity	1 pc
Sales key	AF3DBC
Product key	AF3DBC
GTIN	4063151204945
Weight per piece (including packing)	384,7 g
Weight per piece (excluding packing)	384,7 g
Customs tariff number	85366990
Country of origin	DE

SACB-8/16-PT QO - Distributor box



1175447

<https://www.phoenixcontact.com/nl/products/1175447>

Technical data

Notes

Assembly note	NOTE: Observe the permissible bending radii when routing cables, since the degree of protection may be at risk if the bending forces are too high. Reduce mechanical loads upstream of the connector, e.g., by using cable ties.
Note on application	Unused slots are to be sealed off prior to commissioning. Suitable sealing elements are to be found under "Accessories".
Note on application	Cables with 5 conductors may have a maximum connection cross-section of 0.5 mm ² /20 AWG.

Product properties

Number of positions	5
Number of slots	8
LED	no

Electrical properties

Nominal voltage U _N	48 V AC
	60 V DC
Rated current, total	10 A
Max. current carrying capacity per path	2 A
Current carrying capacity per slot	4 A

Connection data

Conductor connection

Sensor/actuator connection system	QUICKON
Conductor cross-section Flexible signal line	0.14 mm ² ... 0.5 mm ²
Conductor cross-section Flexible power supply	0.14 mm ² ... 0.5 mm ²
Connection cross section AWG Flexible signal line	26 ... 20
Connection cross section AWG Flexible power supply	26 ... 20
Stripping length Signal line	8 mm
Stripping length of the sheath	50 mm (Master cable)
Tightening torque, cover screw	0.35 Nm
Tightening torque of mounting screw for fixing the housing	0.5 Nm
Tightening torque, union nut	4 Nm

Connection assignment

Slot/position = Wire color or connection	1 / 4 (A) = 1 / 4
	1 / 2 (B) = 1 / 2
	2 / 4 (A) = 2 / 4
	2 / 2 (B) = 2 / 2
	3 / 4 (A) = 3 / 4
	3 / 2 (B) = 3 / 2
	4 / 4 (A) = 4 / 4

SACB-8/16-PT QO - Distributor box



1175447

<https://www.phoenixcontact.com/nl/products/1175447>

External cable diameter	7 mm ... 12 mm
Connection method	Push-in connection

Environmental and real-life conditions

Ambient conditions

Degree of protection	IP65
Ambient temperature (operation)	-30 °C ... 80 °C
	-5 °C ... 50 °C (During assembly)

SACB-8/16-PT QO - Distributor box

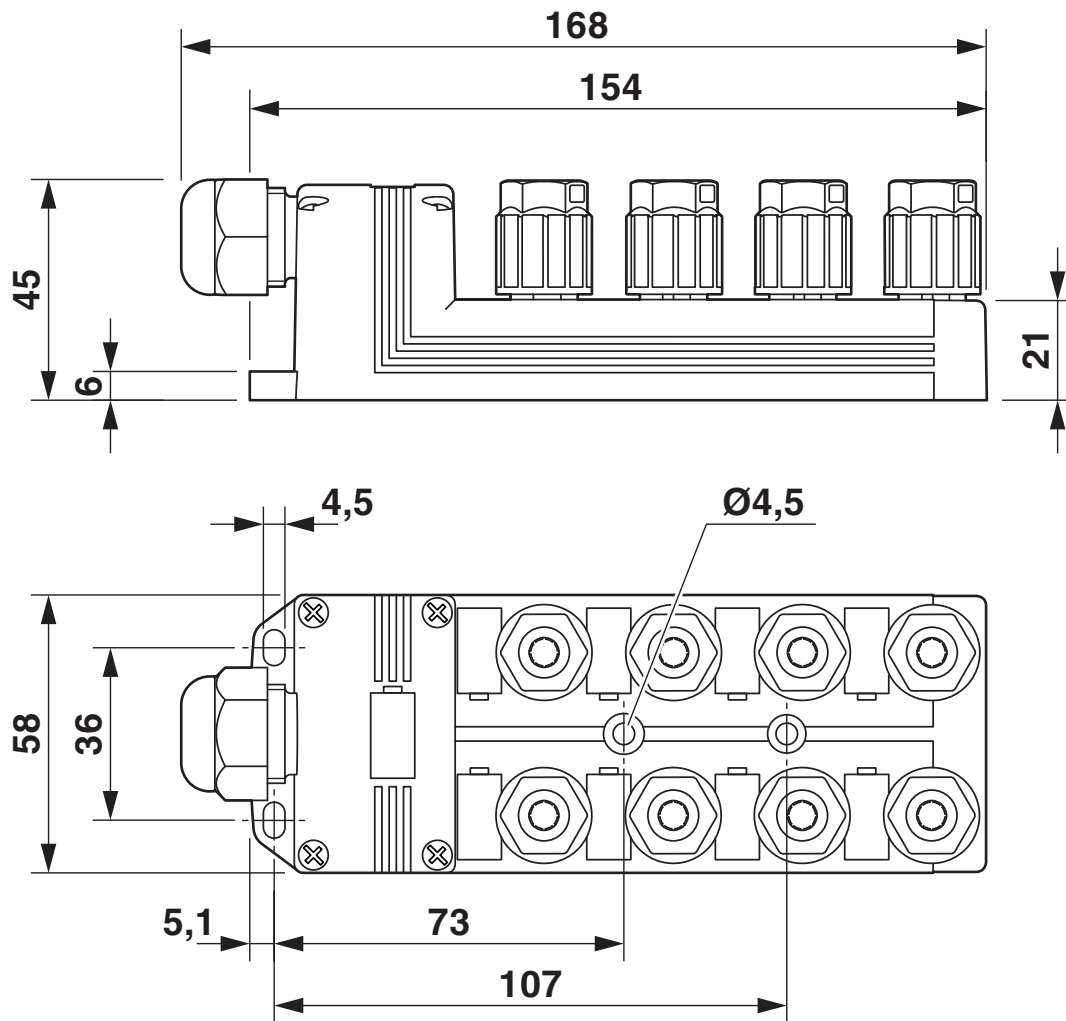


1175447

<https://www.phoenixcontact.com/nl/products/1175447>

Drawings

Dimensional drawing

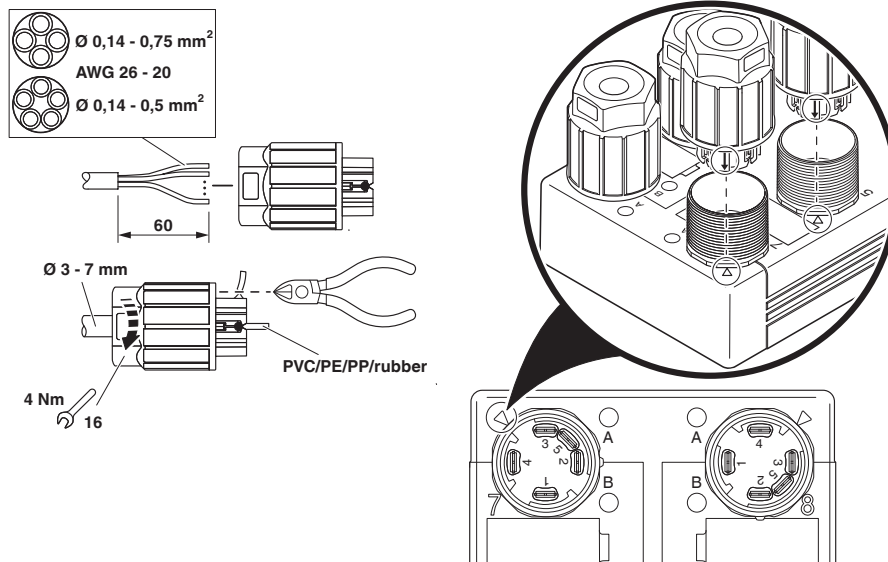


SACB-8/16-PT QO - Distributor box

1175447

<https://www.phoenixcontact.com/nl/products/1175447>

Functional drawing



Schematic diagram



QUICKON connection, 5-pos.

SACB-8/16-PT QO - Distributor box



1175447

<https://www.phoenixcontact.com/nl/products/1175447>

Circuit diagram



SACB-8/16-PT QO - Distributor box



1175447

<https://www.phoenixcontact.com/nl/products/1175447>

Classifications

ECLASS

ECLASS-13.0	27440111
ECLASS-15.0	27440111

ETIM

ETIM 10.0	EC003558
-----------	----------

UNSPSC

UNSPSC 21.0	31251500
-------------	----------

SACB-8/16-PT QO - Distributor box



1175447

<https://www.phoenixcontact.com/nl/products/1175447>

Environmental product compliance

EU RoHS

Fulfills EU RoHS substance requirements	Yes, No exemptions
-----------------------------------------	--------------------

China RoHS

Environment friendly use period (EFUP)	EFUP-E
	No hazardous substances above the limits

EU REACH SVHC

REACH candidate substance (CAS No.)	No substance above 0.1 wt%
-------------------------------------	----------------------------

Phoenix Contact 2026 © - all rights reserved
<https://www.phoenixcontact.com>

PHOENIX CONTACT B.V.
Hengelder 56 6902 PA Zevenaar
Postbus 246 6900 AE Zevenaar
(0316) 59 17 20
sales@phoenixcontact.nl