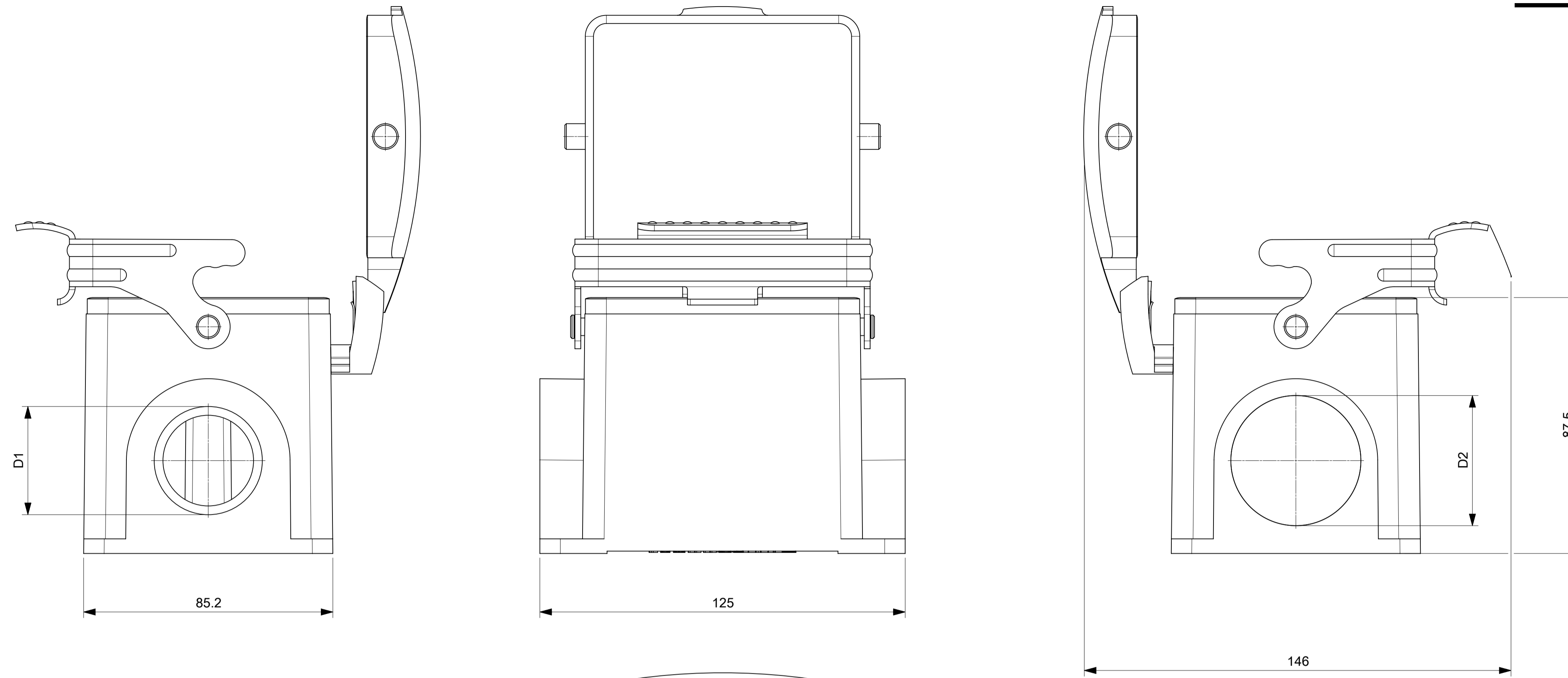
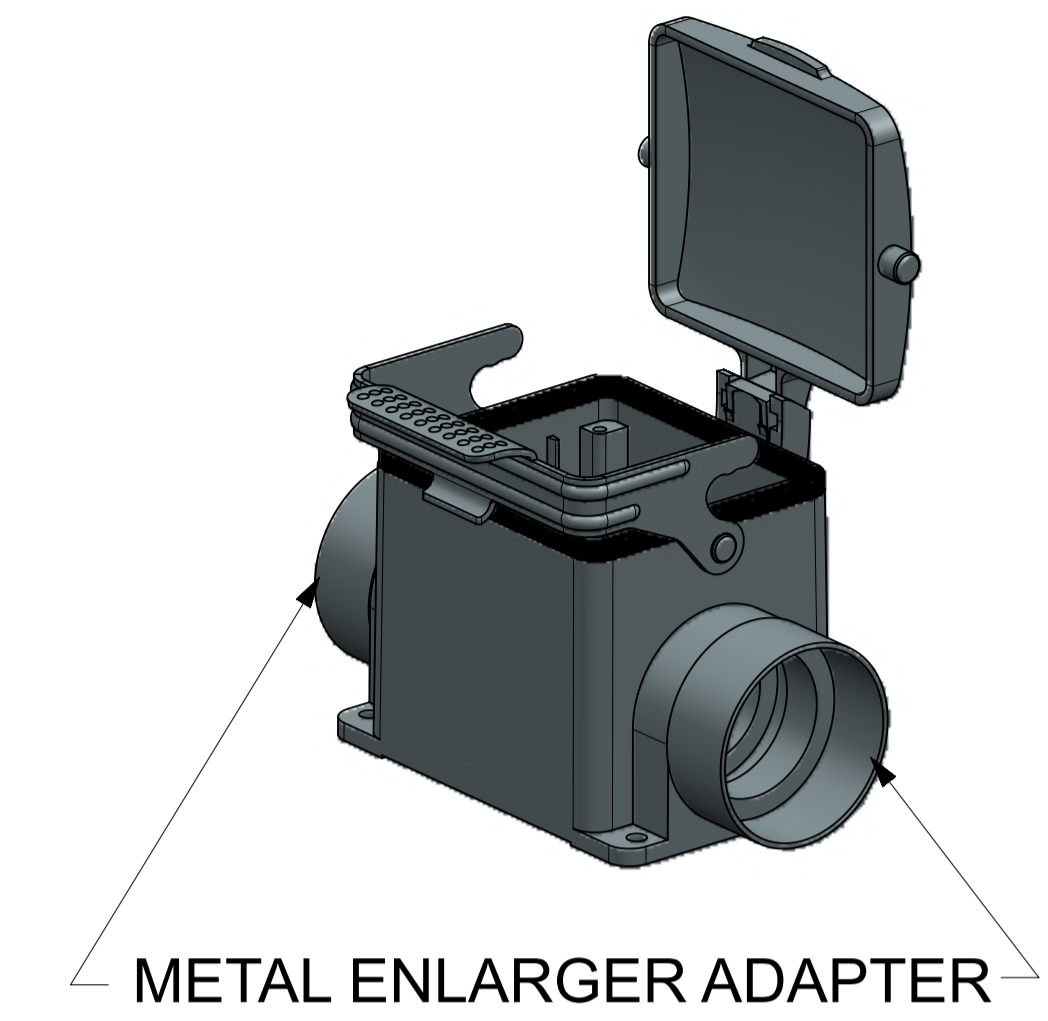


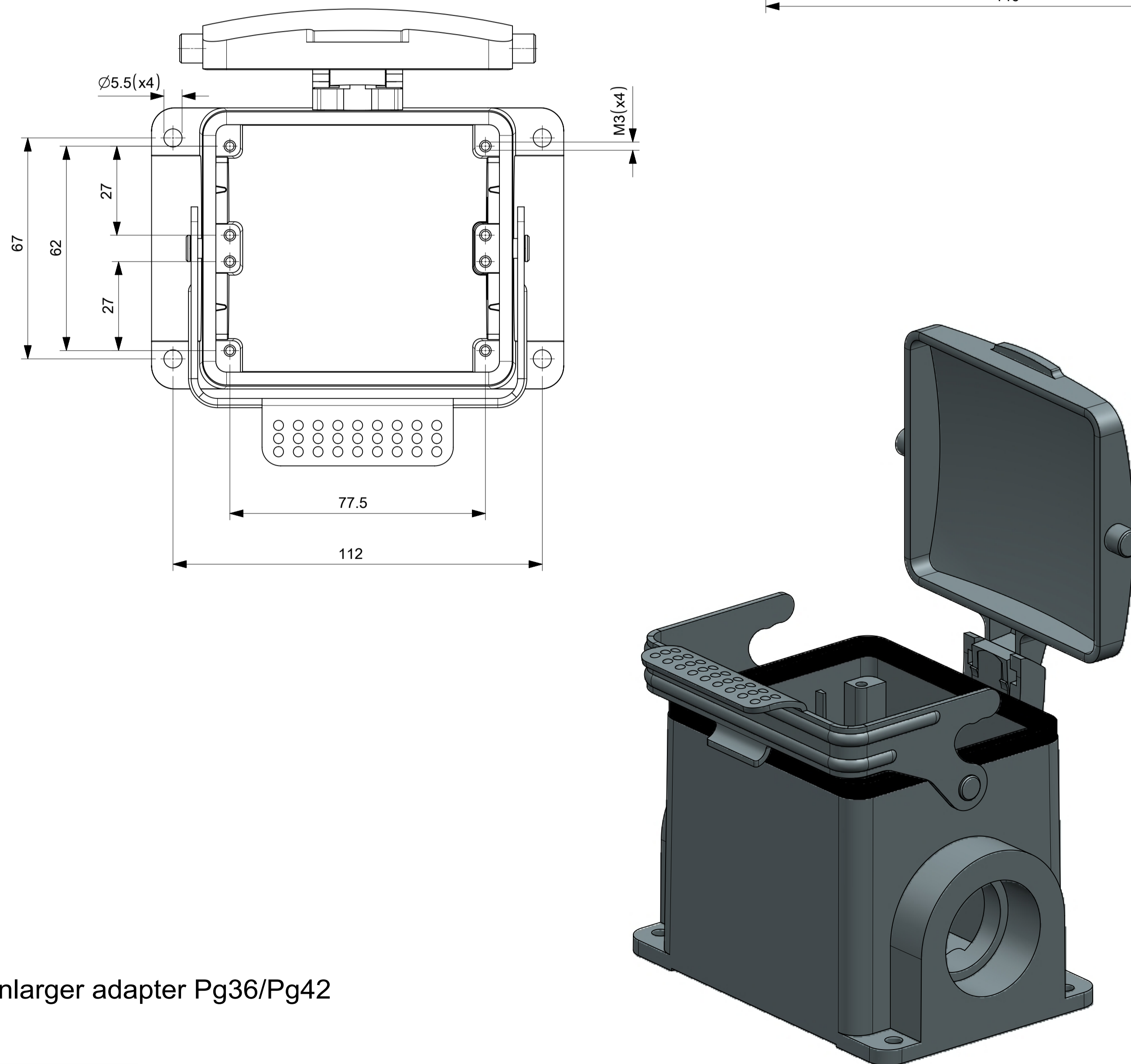
32B HV SURF.HOUS.W/COVER. 1LEV PG42x2



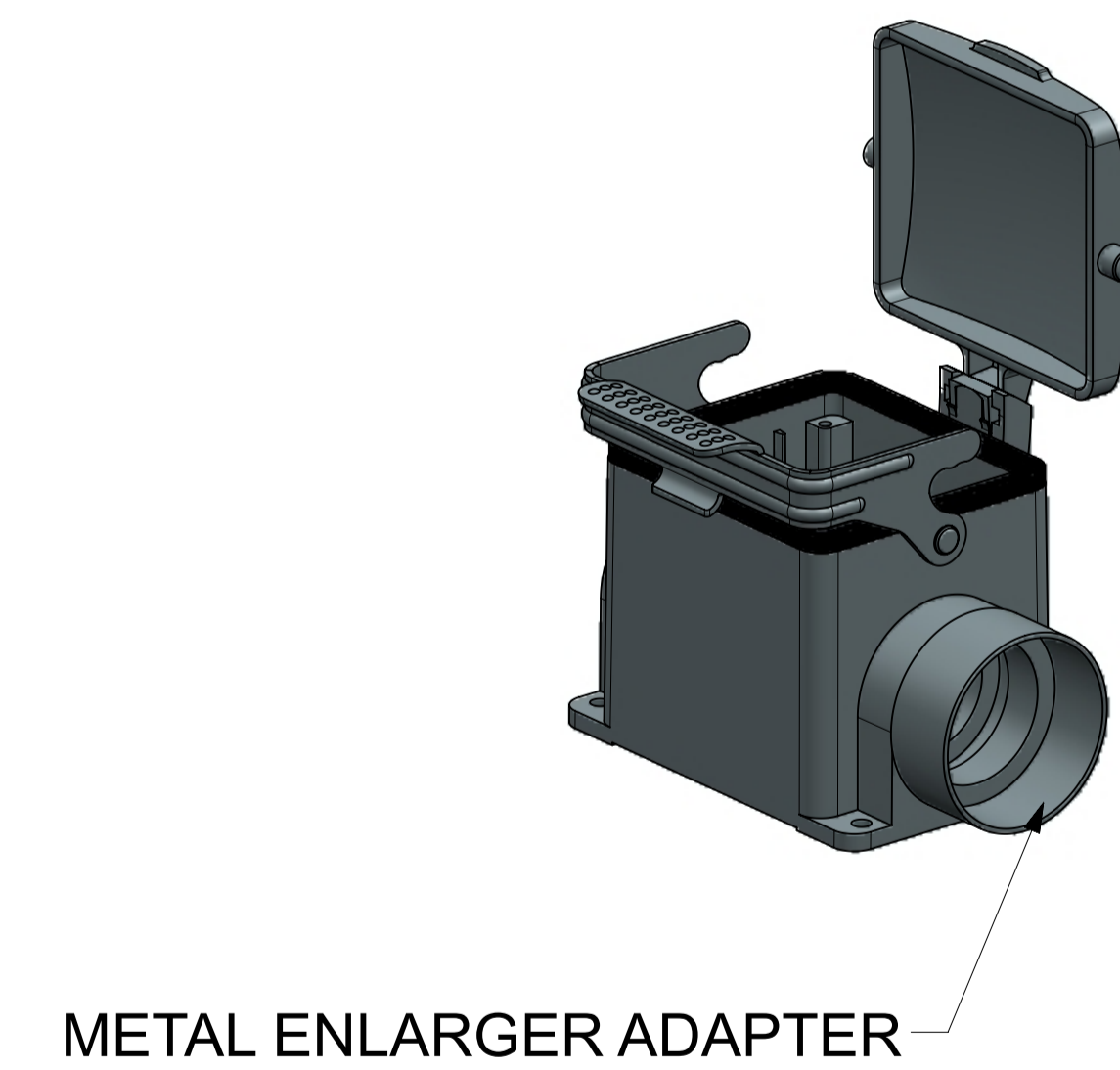
SCALE 1:2



32B HV SURF.HOUS.W/COVER. 1LEV PG42



SCALE 1:2



SAP.No.	Eng.No.	D1	D2
936014358	7832.6382.0	M 40	-
936014359	7832.6383.0	M 40	M 40
936014348	7832.6369.0	M 50	-
936014349	7832.6370.0	M 50	M 50
936014332	7832.6334.0	Pg 29	-
936014333	7832.6335.0	Pg 29	Pg 29
936014320	7832.6319.0	Pg 36	-
936014321	7832.6320.0	Pg 36	Pg 36
936014335	7832.6336.0	Pg 42*	-
936014336	7832.6337.0	Pg 42*	Pg 42*

* Pg42 version obtained by metal enlarger adapter Pg36/Pg42

SYMBOLS		THIS DRAWING CONTAINS INFORMATION THAT IS PROPRIETARY TO MOLEX ELECTRONIC TECHNOLOGIES, LLC AND SHOULD NOT BE USED WITHOUT WRITTEN PERMISSION		CURRENT REV DESC:		molex	
▽ = 0	DIMENSION UNITS	mm	SCALE	1:1		32B HIGH VOLTAGE SURFACE HOUSING WITH COVER 1 LEVER	
▽ = 0	GENERAL TOLERANCES (UNLESS SPECIFIED)		EC NO: 177920		DOCUMENT NUMBER		DOC TYPE DOC PART REVISION
▽ = 0	ANGULAR TOL ± °		DRWN: AKHEMIRI 2018/05/30		936014332		PSD 000 A
▽ = 0	4 PLACES ±		CHK'D: DMERONI 2018/06/05		PRODUCT CUSTOMER DRAWING		
▽ = 0	3 PLACES ±		APPR: AMELZI 2018/06/12		DOCUMENT NUMBER		DOC TYPE DOC PART REVISION
▽ = 0	2 PLACES ±		INITIAL REVISION:		936014332		PSD 000 A
▽ = 0	1 PLACE ±		DRWN: AKHEMIRI 2018/05/22		MATERIAL NUMBER		CUSTOMER
▽ = 0	0 PLACES ±		APPR: AMELZI 2018/06/12		93601		GENERAL MARKET
▽ = 0	DRAFT WHERE APPLICABLE MUST REMAIN WITHIN DIMENSIONS		FIRST ANGLE PROJECTION	DRAWING	SERIES	SHEET NUMBER	
▽ = 0			↺ ↻	A1-SIZE	93601	1 OF 1	