

DBA6171C1-BSMAM ✓ ACTIVE



TE Internal #: DBA6171C1-BSMAM

Terminal/Duck Antenna, Wide Band, Cat-M/NB-IoT / Cellular,
External Mount, Stud/Screw/Lug Mount, SMA, Omnidirectional,
Single Port

[View on TE.com >](#)

Antennas



Communication Protocol: **Cat-M/NB-IoT, Cellular**

Mounting Location: **External**

Mounting Type: **Stud/Screw/Lug Mount**

Frequency Category: **617 – 7125**

Antenna Type: **Terminal/Duck**

Features

Product Type Features

Antenna Termination	SMA
Antenna Product Type	Antenna

Configuration Features

Antenna Style	Dipole
Mounting Location	External
Antenna Type	Terminal/Duck
Band Type	Wide Band
Port Configuration	Single Port

Electrical Characteristics

Impedance	50 Ω
Antenna Operation	Passive
VSWR (Max)	< 2.0:1, <2.3:1, <2.5:1, <3.5:1

Signal Characteristics

Frequency Band	617 – 698 MHz, 698 – 960 MHz, 1427 – 1606 MHz, 1710 – 2200 MHz, 2300 – 2700 MHz,
----------------	--

	5150 – 6000 MHz
Gain (Max)	1 dB, 2.1 dB, 3.9 dB, 4.4 dB
Frequency Category	617 – 7125
Peak Gain	3 < 6 dBi

Body Features

Antenna Weight	30 g[1.058 oz]
----------------	----------------

Mechanical Attachment

Polarization	Vertical Linear
Mounting Type	Stud/Screw/Lug Mount

Dimensions

Product Width	25 mm[.984 in]
Product Length	13.5 mm[.531 in]
Product Height	184 mm[7.244 in]

Operation/Application

Antenna Environment	Indoor
Wireless Standard	Cellular
Directionality	Omnidirectional

Industry Standards

Communication Protocol	Cat-M/NB-IoT, Cellular
Primary Application	Cat-M/NB-IoT, Cellular

Product Availability

Applicable Region	Global
-------------------	--------

Packaging Features

Packaging Method	Bag/Carton
------------------	------------

Other

Precision Level	Standard
-----------------	----------

Product Compliance

[For compliance documentation, visit the product page on TE.com>](#)

EU RoHS Directive 2011/65/EU	Compliant with Exemptions
EU ELV Directive 2000/53/EC	Not Yet Reviewed
China RoHS 2 Directive MIIT Order No 32, 2016	未针对中国 RoHS 符合性进行审核 Not



EU REACH Regulation (EC) No. 1907/2006 reviewed for China RoHS compliance

EU REACH Regulation (EC) No. 1907/2006

Current ECHA Candidate List: FEB 2026 (253)

Candidate List Declared Against: JUNE 2022 (224)

SVHC > Threshold:

Pb (2.24% in Component part)

Pb (2.24% in component part)

Article Safe Usage Statements:

Do not eat, drink or smoke when using this product. Wash thoroughly after handling. Recycle if possible and dispose of the article by following all applicable governmental regulations relevant to your geographic location.

Halogen Content Low Halogen - Br, Cl, F < 900 ppm per homogenous material. Also BFR/CFR/PVC Free

Solder Process Capability

Not reviewed for solder process capability

Product Compliance Disclaimer

This information is provided based on reasonable inquiry of our suppliers and represents our current actual knowledge based on the information they provided. This information is subject to change. The part numbers that TE has identified as EU RoHS compliant have a maximum concentration of 0.1% by weight in homogenous materials for lead, hexavalent chromium, mercury, PBB, PBDE, DBP, BBP, DEHP, DIBP, and 0.01% for cadmium, or qualify for an exemption to these limits as defined in the Annexes of Directive 2011/65/EU (RoHS2). Finished electrical and electronic equipment products will be CE marked as required by Directive 2011/65/EU. Components may not be CE marked. Additionally, the part numbers that TE has identified as EU ELV compliant have a maximum concentration of 0.1% by weight in homogenous materials for lead, hexavalent chromium, and mercury, and 0.01% for cadmium, or qualify for an exemption to these limits as defined in the Annexes of Directive 2000/53/EC (ELV). Regarding the REACH Regulations, TE's information on SVHC in articles for this part number is still based on the European Chemical Agency (ECHA) 'Guidance on requirements for substances in articles' (Version: 2, April 2011), applying the 0.1% weight on weight concentration threshold at the finished product level. TE is aware of the European Court of Justice ruling of September 10th, 2015 also known as O5A (Once An Article Always An Article) stating that, in case of 'complex object', the threshold for a SVHC must be applied to both the product as a whole and simultaneously to each of the articles forming part of its composition. TE has evaluated this ruling based on the new ECHA "Guidance on requirements for substances in articles" (June 2017, version 4.0) and will be updating its statements accordingly.

Compatible Parts



TE Part # 080-0013
CABLE,U.FL to SMA Bulkhd 1.13mm Dia,105m



TE Part # 2195889-1
Terminal Ant, 5G, SMA, 600-6000MHz



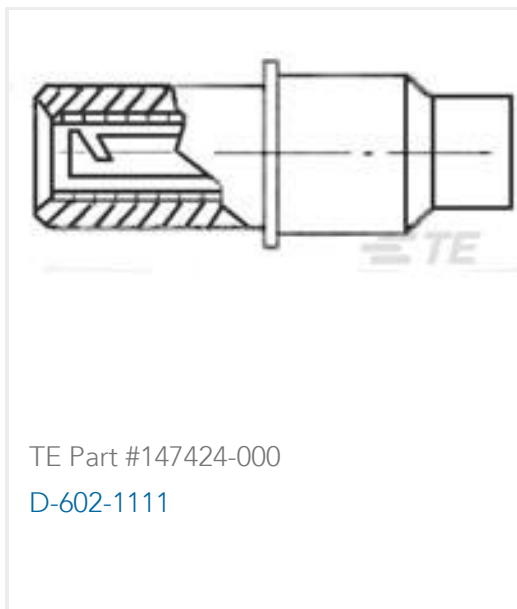
TE Part # 080-0001
CABLE,U.FL to SMA Bulkhd 1.13mm Dia,105m



TE Part # 080-0014
CABLE,U.FL to SMA Bulkhd 1.13mm Dia,210m



Customers Also Bought



Documents

Product Drawings

[DIPOLE,SMAM,SWIVEL,617-7125MHz,INDOOR TE](#)

English

CAD Files

Customer View Model

[ENG_CVM_CVM_DBA6171C1-BSMAM_AB.2d_dxf.zip](#)

English

Customer View Model



[ENG_CVM_CVM_DBA6171C1-BSMAM_AB.3d_stp.zip](#)

English

Customer View Model

[ENG_CVM_CVM_DBA6171C1-BSMAM_AB.3d_igs.zip](#)

English

3D PDF

3D

By downloading the CAD file I accept and agree to the [Terms and Conditions](#) of use.

Datasheets & Catalog Pages

[DIPOL,SWIVEL,617-7125MHz](#)

English

Product Specifications

[Product Specification](#)

English

Agency Approvals

[CE Declaration of Conformity](#)

English