

ANT-433-WRT-RPS ✓ ACTIVE

TE Internal #: ANT-433-WRT-RPS

Dome/Puck Antenna, Single Band, LPWAN / LoRaWAN, External Mount, Stud/Screw/Lug Mount, Solder, Omnidirectional, Single Port, < 0 dBi Peak Gain

[View on TE.com >](#)



Antennas



Communication Protocol: **LoRaWAN, LPWAN**

Mounting Location: **External**

Mounting Type: **Stud/Screw/Lug Mount**

Frequency Category: **410 – 470**

Antenna Type: **Dome/Puck**

Features

Product Type Features

Antenna Termination	Solder
Antenna Product Type	Antenna

Configuration Features

Antenna Style	Dome
Mounting Location	External
Antenna Type	Dome/Puck
Band Type	Single Band
Port Configuration	Single Port

Electrical Characteristics

Impedance	50 Ω
VSWR (Max)	<1.9:1

Signal Characteristics

Frequency Band	433 MHz
Frequency Category	410 – 470
Peak Gain	< 0 dBi

Body Features

Antenna Weight	14.12 g[.498 oz]
----------------	------------------



Mechanical Attachment

Polarization	Linear
Mounting Type	Stud/Screw/Lug Mount

Dimensions

Product Width	19 mm[.75 in]
Product Length	26.8 mm[1.06 in]
Product Height	0 mm[0 in]
Cable Length	.21 m[.71 ft]

Operation/Application

Antenna Environment	Outdoor
Directionality	Omnidirectional

Industry Standards

Communication Protocol	LoRaWAN, LPWAN
Primary Application	LoRaWAN, LPWAN

Product Compliance

[For compliance documentation, visit the product page on TE.com>](#)

EU RoHS Directive 2011/65/EU	Compliant with Exemptions
EU ELV Directive 2000/53/EC	Not Yet Reviewed
China RoHS 2 Directive MIIT Order No 32, 2016	未针对中国 RoHS 符合性进行审核 Not reviewed for China RoHS compliance
EU REACH Regulation (EC) No. 1907/2006	Current ECHA Candidate List: FEB 2026 (253) Not Yet Reviewed
Halogen Content	Low Halogen - Br, Cl, F < 900 ppm per homogenous material. Also BFR/CFR/PVC Free
Solder Process Capability	Not reviewed for solder process capability

Product Compliance Disclaimer

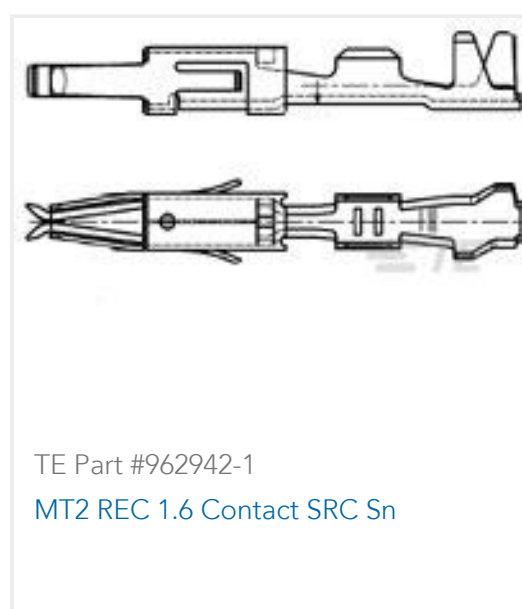
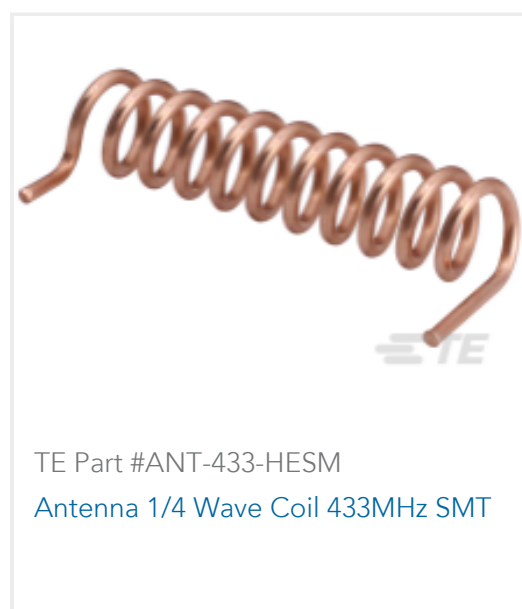
This information is provided based on reasonable inquiry of our suppliers and represents our current actual knowledge based on the information they provided. This information is subject to change. The part numbers that TE has identified as EU RoHS compliant have a maximum concentration of 0.1% by weight in homogenous materials for lead, hexavalent chromium, mercury, PBB, PBDE, DBP, BBP, DEHP, DIBP, and 0.01% for cadmium, or qualify for an exemption to these limits as defined in the Annexes of Directive 2011/65/EU (RoHS2). Finished electrical and electronic equipment products will be CE marked as required by Directive 2011/65/EU. Components may not be CE marked. Additionally, the part numbers that TE has identified as EU ELV compliant have a maximum concentration of 0.1% by weight in homogenous materials for lead, hexavalent chromium, and mercury, and 0.01% for cadmium, or qualify for an exemption to these limits as defined in the Annexes of Directive 2000/53/EC (ELV). Regarding the REACH Regulations, TE's information on SVHC in

articles for this part number is still based on the European Chemical Agency (ECHA) 'Guidance on requirements for substances in articles'(Version: 2, April 2011), applying the 0.1% weight on weight concentration threshold at the finished product level. TE is aware of the European Court of Justice ruling of September 10th, 2015 also known as O5A (Once An Article Always An Article) stating that, in case of 'complex object', the threshold for a SVHC must be applied to both the product as a whole and simultaneously to each of the articles forming part of its composition. TE has evaluated this ruling based on the new ECHA "Guidance on requirements for substances in articles" (June 2017, version 4.0) and will be updating its statements accordingly.

Compatible Parts



Customers Also Bought



Documents

Product Drawings



Antenna Dome 433MHz RG174 216 RPS

English

CAD Files

Customer View Model

[ENG_CVM_CVM_ANT-433-WRT-RPS_C.2d_dxf.zip](#)

English

3D PDF

3D

Customer View Model

[ENG_CVM_CVM_ANT-433-WRT-RPS_C.3d_igs.zip](#)

English

Customer View Model

[ENG_CVM_CVM_ANT-433-WRT-RPS_C.3d_stp.zip](#)

English

By downloading the CAD file I accept and agree to the [Terms and Conditions](#) of use.

Datasheets & Catalog Pages

[433 MHz External Panel-Mount Antenna](#)

English