

KSC XA Series

Soft Sound Tactile Switches for SMT 6.2 x 6.2 mm, with 4.9 mm Height Hard Actuator



Specifications

| | |
|----------------------------|-----------------------------|
| Function | Momentary action |
| Contact Arrangement | 1 make contact = SPST, N.O. |
| Terminals | J bend |
| Sealing | IP67 |

Note: Specifications listed above are for switches with standard options. For information on specific and custom switches, consult Customer Service Center.

Electrical Characteristics

| | |
|--|------------------------|
| Dielectric Strength (50 Hz, rt1 min.) | ≥ 250 Vrms |
| Contact Resistance | ≤ 100 m Ω |
| Insulation Resistance (100 V) | ≥ 1000 M Ω |
| Bounce Time | ≤ 1 ms |
| Maximum Power | 1 VA |
| Maximum Voltage | 24 VDC |
| Minimum Voltage | 2 VDC |
| Maximum Current | 42 mA |
| Minimum Current | 1 mA |

Environmental Characteristics

| | |
|------------------------------|---------------|
| Operating Temperature | -40°C to 95°C |
| Storage Temperature | -55°C to 95°C |

Description

The KSC XA series of sealed tactile switches for SMT offer ultra soft feedback due to a new haptic and sound proposal. They are IP67 rated, 4.9 mm high momentary action tactile switches, featuring a hard actuator and an extended cage, ensuring reliability. The switches are available with a variety of operating forces up to 9.6N and in a range of electrical lifespans, depending on the model. The KSC XA series are designed to give users a positive adaptable tactile feeling.

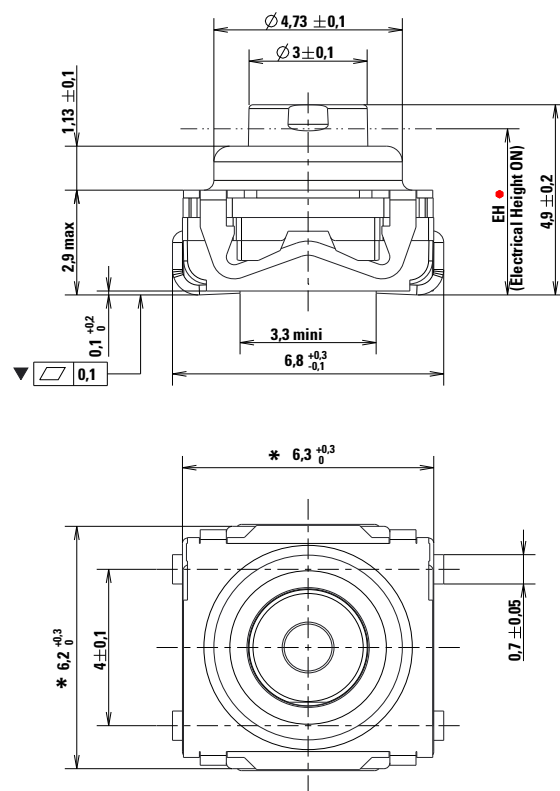
Features & Benefits

- Soft sound
- High actuation force up to 9.6N
- Extended cage
- IP67
- J terminations
- Electrical Height for easier integration due to more precise tolerances
- Tape & reel
- Long life
- Low halogen, RoHS and REACH compliant
- Compatible with lead free reflow soldering process of SMT devices

Applications

- Automotive interior & openings (gear shift paddle, steering wheel, window lifter, seat adjustment modules, trunk & door handle modules)
- Medical & industrial electronics (front panel, instrumentation)

Dimensions (mm)



KSC XA Series

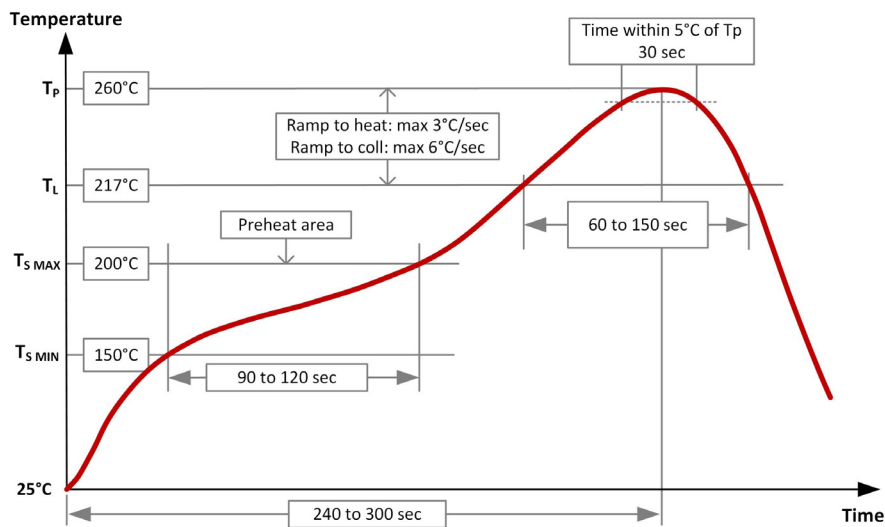
Soft Sound Tactile Switches for SMT 6.2 x 6.2 mm, with 4.9 mm Height Hard Actuator



Mechanical Characteristics

| Part Number | Force Newtons | Life Cycles | Electrical Travel (mm) | Electrical Height (mm) |
|----------------|---------------|-------------|------------------------|------------------------|
| KSC XA 35J LFS | 3.5 ± 1 | 1,000,000 | 0.7 ± 0.2 | (4.25) |
| KSC XA 40J LFS | 4.0 ± 1 | 1,000,000 | 0.7 ± 0.2 | (4.30) |
| KSC XA 55J LFS | 5.5 ± 1.1 | 1,000,000 | (0.7) | 4.27 ± 0.2 |
| KSC XA 68J LFS | 6.8 ± 1.4 | 500,000 | (0.7) | 4.25 ± 0.2 |
| KSC XA 96J LFS | 9.6 ± 2.4 | 150,000 | 0.7 ± 0.2 | (4.25) |

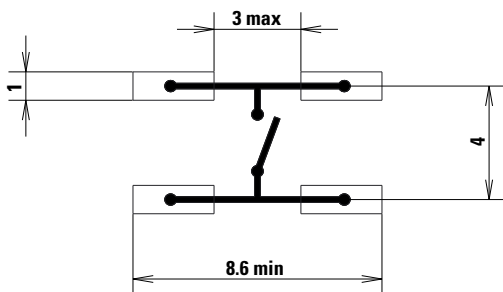
Soldering Profile



| | |
|-------|-------------------------------|
| T_p | Peak package body temperature |
| T_l | Liquidous Temperature |
| T_s | Preheat/Soak Temperature |

Note: Lead free soldering process in accordance with the definition on the left

PCB Layout

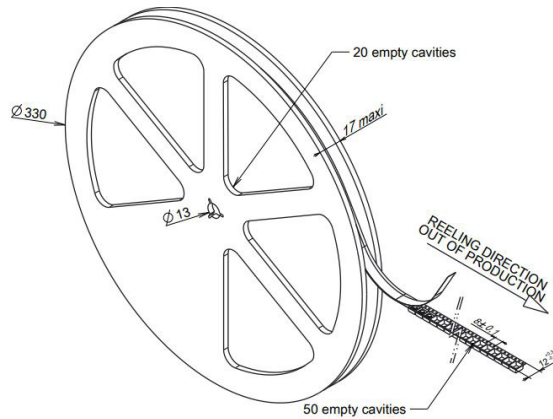


KSC XA Series

Soft Sound Tactile Switches for SMT 6.2 x 6.2 mm, with 4.9 mm Height Hard Actuator



Packaging



Ordering Number

Our easy build-a-switch concept allows you to mix and match options to create the switch you need. To order, select desired option from each category and place it in the appropriate box. However, please note that not all the combinations of these options are feasible. For any part number different from those listed below, please consult your local representative.

KSC - XA - xx - J - LFS

Operating Force

35: 3.5 N

40: 4.0 N

55: 5.5 N

68: 6.8 N

96: 9.6 N

LFS: Lead free compatible,
silver plated

Termination

J: J Bend

Liability Limitation

This datasheet does not provide enough information for applications that require a certain level of quality or safety such as automotive, medical systems, or safety equipment. Please contact customer service for the contractual specification package.

Disclaimer Notice - Information furnished is believed to be accurate and reliable. However, users should independently evaluate the suitability of and test each product selected for their own applications. Littelfuse products are not designed for, and may not be used in, all applications. Read complete Disclaimer Notice at <http://www.littelfuse.com/disclaimer-electronics>.