



Automotive Parts > Automotive Connectors > Automotive Housings



Nominal Voltage Architecture: 12 V

Connector & Housing Type: **Receptacle**

Number of Positions: **6**

Sealable: **Yes**

Number of Rows: **2**

Features

Product Type Features

Mixed & Hybrid Connector	No
Connector Shape	Rectangular
Connector & Housing Type	Receptacle
Sealable	Yes
Primary Locking Feature	Integrated in Housing
Connector System	Wire-to-Wire
Connector & Contact Terminates To	Wire & Cable

Configuration Features

Number of Positions	6
Number of Rows	2

Electrical Characteristics

Nominal Voltage Architecture	12 V
------------------------------	------

Body Features

Primary Product Color	Black
-----------------------	-------

Contact Features

Contact Size	Size 16
Mating Pin Diameter	1.56 mm[.061 in]

Mechanical Attachment

Mating Alignment Type	Polarization
Mating Alignment	With
Connector Mounting Type	Cable Mount (Free-Hanging)

Housing Features

Centerline (Pitch)	4.5 mm[.177 in]
--------------------	-----------------

Usage Conditions

Operating Temperature (Max)	125 °C[257 °F]
-----------------------------	----------------

Other

Connector Position Assurance Capable	No
--------------------------------------	----

Product Compliance

[For compliance documentation, visit the product page on TE.com>](#)

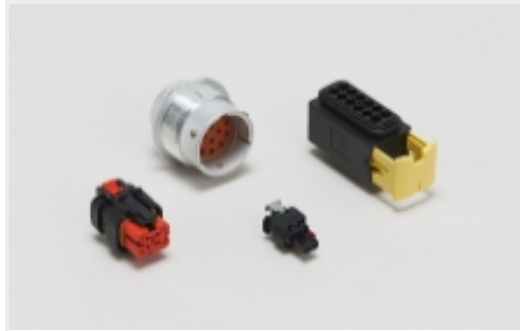
EU RoHS Directive 2011/65/EU	Compliant
EU ELV Directive 2000/53/EC	Compliant
China RoHS 2 Directive MIIT Order No 32, 2016	有害物质含量符合标准要求 No Restricted Substance(s) Above Threshold
EU REACH Regulation (EC) No. 1907/2006	Current ECHA Candidate List: FEB 2026 (253) Candidate List Declared Against: JAN 2023 (233) Does not contain REACH SVHC
Halogen Content	Low Halogen - Br, Cl, F < 900 ppm per homogenous material. Also BFR/CFR/PVC Free
Solder Process Capability	Not reviewed for solder process capability

Product Compliance Disclaimer

This information is provided based on reasonable inquiry of our suppliers and represents our current actual knowledge based on the information they provided. This information is subject to change. The part numbers that TE has identified as EU RoHS compliant have a maximum concentration of 0.1% by weight in homogenous materials for lead, hexavalent chromium, mercury, PBB, PBDE, DBP, BBP, DEHP, DIBP, and 0.01% for cadmium, or qualify for an exemption to these limits as defined in the Annexes of Directive 2011/65/EU (RoHS2). Finished electrical and electronic equipment products will be CE marked as required by Directive 2011/65/EU. Components may not be CE marked. Additionally, the part numbers that TE has identified as EU ELV compliant have a maximum concentration of 0.1% by weight in homogenous materials for lead, hexavalent chromium, and mercury, and 0.01% for cadmium, or qualify for an exemption to these limits as defined in the Annexes of Directive 2000/53/EC (ELV). Regarding the REACH Regulation, the information TE provides on SVHC in articles for this part number is based on the latest European Chemicals Agency (ECHA) 'Guidance on

requirements for substances in articles' posted at this URL: <https://echa.europa.eu/guidance-documents/guidance-on-reach>

Also in the Series | DEUTSCH DT-XT



Automotive Housings(12)

Customers Also Bought



TE Part #5-2600020-2
XRC PIN TERMINAL 20-24AWG Ni Plated



TE Part #NB14832001
DWP-125-1/2-0-STK



TE Part #34145
PG R 22-16 COMM 22-18 MIL 8



TE Part #63130-3
SPLICE REC. 1500-5000 .020 TPBR



TE Part #172337-1
MINI UMNL PLUG HOUSING 3P



TE Part #280515
AMPMODU II REC. HSG, DUAL ROW, 24 POS.



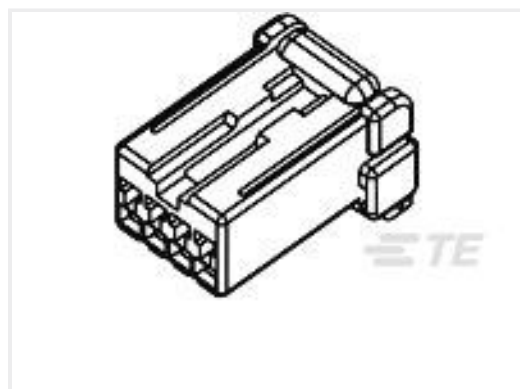
TE Part #1-6609006-8
15EJS1=F8033



TE Part #1-2600022-1
2CCT BLACK RECEP W/SMALL SEAL & HS



TE Part #2600031-2
4CCT GREY PLUG W/SMALL SEAL



TE Part #175507-2
040 MULTI-LOCK I/O PLUG HSG 6P

Documents

Product Drawings

6CCT BLACK RECEP W/SMALL SEAL & HS

English



CAD Files

3D PDF

3D

Customer View Model

[ENG_CVM_CVM_1-2600034-9_1.2d_dxf.zip](#)

English

Customer View Model

[ENG_CVM_CVM_1-2600034-9_1.3d_igs.zip](#)

English

Customer View Model

[ENG_CVM_CVM_1-2600034-9_1.3d_stp.zip](#)

English

By downloading the CAD file I accept and agree to the [Terms and Conditions](#) of use.

Product Specifications

Application Specification

English