



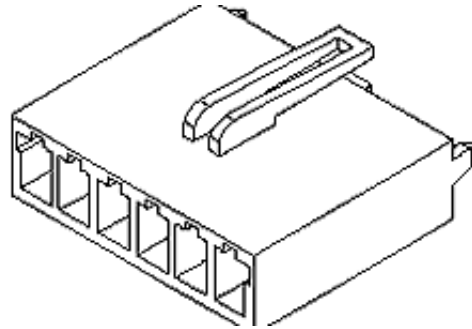
Part Number : [903311002](#)

Product Description : 3.96mm Pitch Industry Standard Power Supply Housing for Crimp Terminals, 6 Circuits, Keying to the Mating Part Required at Circuit 1, Natural Nylon

Series Number : 90331

Status : Active

Product Category : Connector Housings



Documents & Resources

Drawings

[903311002_sd.pdf](#)


[903311000-PK-000.pdf](#)

3D Models and Design Files

[903311002_stp.zip](#)

Product Environment Compliance

Compliance

GADSL/IMDS	Not Relevant
China RoHS	
EU ELV	Not Relevant
Low-Halogen Status	Low-Halogen per IEC 61249-2-21
REACH SVHC	Not Contained per D(2024)6225-DC (07 Nov 2024)
EU RoHS	Compliant per EU 2015/863

Multiple Part Product Compliance Statements

- Eu RoHS
- REACH SVHC
- Low-Halogen

Multiple Part Industry Compliance Documents

- IPC 1752A Class C
- IPC 1752A Class D
- Molex Product Compliance Declaration
- IEC-62474

Part Details

General

Status	Active
Category	Connector Housings
Series	90331
Description	3.96mm Pitch Industry Standard Power Supply Housing for Crimp Terminals, 6 Circuits, Keying to the Mating Part Required at Circuit 1, Natural Nylon
Application	Signal, Wire-to-Board
Product Name	N/A
UPC	800753749689

Agency

CSA	LR19980
UL	E29179

Physical

Breakaway	No
Circuits (maximum)	6
Color - Resin	Natural (White)
Flammability	94V-0
Gender	Receptacle
Glow-Wire Capable	No
Keying to Mating Part	Yes
Lock to Mating Part	Yes
Material - Resin	Nylon
Net Weight	1.760/g
Number of Rows	1
Packaging Type	Bag
Panel Mount	No
Pitch - Mating Interface	3.96mm

Pitch - Termination Interface	3.96mm
Temperature Range - Operating	-40° to +85°C

Mates With / Use With

Mates with Part(s)

Description	Part Number
KK 396 Vertical Through Hole Headers	<u>8619</u>

Use with Part(s)

Description	Part Number
KK 396 Female Crimp Terminals	<u>2478</u>
