



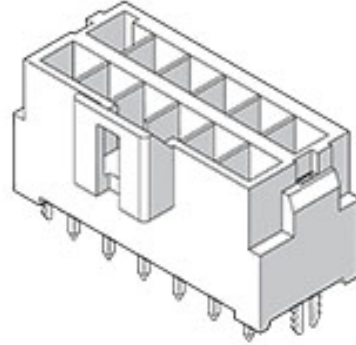
Part Number : [1722992112](#)

Product Description : Ultra-Fit Vertical Header, 3.50mm Pitch, Dual Row, 4 Circuits, with Kinked Pins, Tin (Sn) Plating, Natural, Glow-Wire Capable

Series Number : 172298

Status : Active

Product Category : PCB Headers and Receptacles



Documents & Resources

Drawings

[1722982104_sd.pdf](#)

[PK-172298-9001-001.pdf](#)

3D Models and Design Files

[1722982104_stp.zip](#)

[1722981104-000.zip](#)

[SYM-172298-1204-001.zip](#)

Specifications

[1722990000-AS-000.pdf](#)

[1723230003-000.pdf](#)

[AS-172323-0001-001.pdf](#)

[1723230001-TS-000.pdf](#)

[1723231000-PS-CH-000.pdf](#)

[1723231000-PS-ES-000.pdf](#)

[1723231000-PS-JP-000.pdf](#)

[1723231000-PS-SK-000.pdf](#)

[PS-172323-0001-001.pdf](#)

Product Environment Compliance

Compliance

GADSL/IMDS	Compliant with Exemption 44; 33
China RoHS	
EU ELV	Not Relevant
Low-Halogen Status	Low-Halogen per IEC 61249-2-21
REACH SVHC	Not Contained per D(2024)6225-DC (07 Nov 2024)

EU RoHS	Compliant per EU 2015/863
---------	---------------------------

Multiple Part Product Compliance Statements

- Eu RoHS
- REACH SVHC
- Low-Halogen

Multiple Part Industry Compliance Documents

- IPC 1752A Class C
- IPC 1752A Class D
- Molex Product Compliance Declaration
- IEC-62474
- chemSHERPA (xml)

EU RoHS Certificate of Compliance

Part Details

General

Status	Active
Category	PCB Headers and Receptacles
Series	172298
Description	Ultra-Fit Vertical Header, 3.50mm Pitch, Dual Row, 4 Circuits, with Kinked Pins, Tin (Sn) Plating, Natural, Glow-Wire Capable
Application	Power, Wire-to-Board
Comments	See Product Specification for maximum current rating by circuit size and wire AWG
Component Type	PCB Header
Product Name	Ultra-Fit
UPC	887191737324

Agency

CSA	LR19980
UL	E29179

Electrical

Current - Maximum per Contact	12.0A
Voltage - Maximum	600V AC (RMS)/DC

Physical

Breakaway	No
Circuits (Loaded)	4
Circuits (maximum)	4
Color - Resin	Natural
Durability (mating cycles max)	25
First Mate / Last Break	No
Flammability	94V-0
Glow-Wire Capable	Yes
Guide to Mating Part	No
Keying to Mating Part	Yes
Lock to Mating Part	Yes
Material - Metal	Copper Alloy
Material - Plating Mating	Tin
Material - Plating Termination	Tin
Material - Resin	Liquid Crystal Polymer
Net Weight	1.132/g
Number of Rows	2
Orientation	Vertical
Packaging Type	Tray
PC Tail Length	3.20mm
PCB Locator	Yes
PCB Retention	Yes
PCB Thickness - Recommended	1.60mm
Pitch - Mating Interface	3.50mm
Pitch - Termination Interface	3.50mm
Plating min - Mating	1.524µm
Plating min - Termination	1.524µm
Polarized to Mating Part	Yes
Polarized to PCB	Yes
Shrouded	Fully
Temperature Range - Operating	-40° to +125°C
Termination Interface Style	Through Hole - Kinked Pin

Solder Process Data

Max-Duration	90
Lead-Free Process Capability	WAVE
Max-Cycle	2
Max-Temp	260

Mates With / Use With

Mates with Part(s)

Description	Part Number
Ultra-Fit Tangless Receptacle Housing, 3.50mm Pitch, Dual Row, 4 Circuits, Natural, Glow-Wire Capable	<u>1722584104</u>
