

# 384850-E ✓ ACTIVE

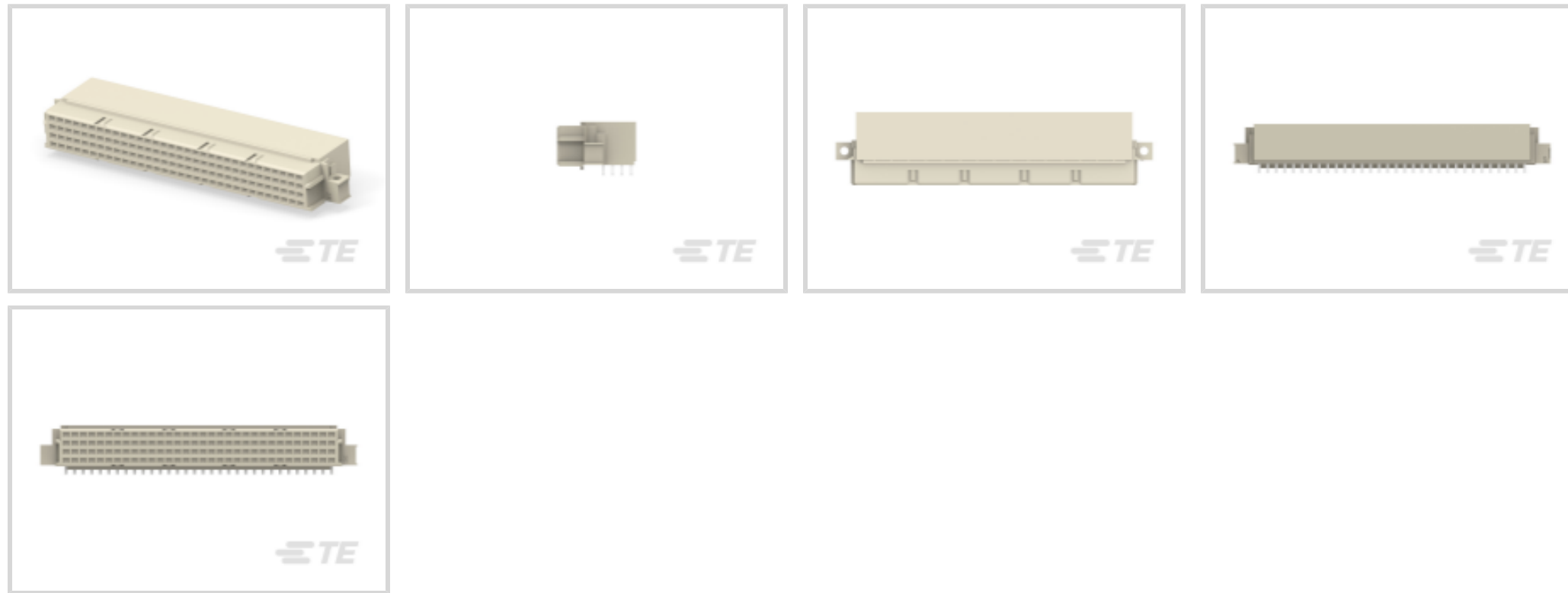
TE Internal #: 384850-E

Receptacle, Board-to-Board, 128 Position, 2.54 mm [.1 in]  
Centerline, Printed Circuit Board, 4 Row, Right Angle, 32 Column,  
Eurocard Connectors

[View on TE.com >](#)



Connectors > PCB Connectors > Backplane Connectors > Eurocard Connectors



Connector & Housing Type: **Receptacle**

Connector System: **Board-to-Board**

Termination Post & Tail Length: **3 mm [.118 in]**

Number of Positions: **128**

Centerline (Pitch): **2.54 mm [.1 in]**

## Features

### Product Type Features

Connector & Housing Type	Receptacle
Connector System	Board-to-Board
Connector & Contact Terminates To	Printed Circuit Board
Performance Level	II

### Configuration Features

Mating & Unmating Configuration	Normal
Number of Positions	128
Number of Rows	4
PCB Mount Orientation	Right Angle
Number of Columns	32
Rows Loaded	A, B, C, D
Number of Signal Positions	128

### Contact Features

Contact Base Material	Copper Alloy
-----------------------	--------------



Contact Type

Receptacle

### Termination Features

Termination Method to PCB

Through Hole - Solder

Termination Post &amp; Tail Length

3 mm[.118 in]

### Mechanical Attachment

Connector Mounting Type

Board Mount

### Housing Features

Housing Material

PBT GF30

Centerline (Pitch)

2.54 mm[.1 in]

### Dimensions

Connector Width

21.6 mm[.85 in]

Connector Height

13.12 mm[.517 in]

Connector Length

94 mm[3.7 in]

Row-to-Row Spacing

2.54 mm[.1 in]

### Usage Conditions

Operating Temperature Range

-55 – 125 °C[-67 – 257 °F]

### Operation/Application

Circuit Application

Signal

### Industry Standards

Compatible With Approved Standards Products

UL E84703

### Product Compliance

For compliance documentation, visit the product page on TE.com>

EU RoHS Directive 2011/65/EU

Compliant

EU ELV Directive 2000/53/EC

Not Yet Reviewed

China RoHS 2 Directive MIIT Order No 32, 2016

有害物质含量符合标准要求 No Restricted Substance(s) Above Threshold

EU REACH Regulation (EC) No. 1907/2006

Current ECHA Candidate List: FEB 2026 (253)  
 Candidate List Declared Against: JUNE 2023 (235)  
 Does not contain REACH SVHC

Halogen Content

Not Yet Reviewed for halogen content

Solder Process Capability

Not reviewed for solder process capability



Product Compliance Disclaimer

This information is provided based on reasonable inquiry of our suppliers and represents our current actual knowledge based on the information they provided. This information is subject to change. The part numbers that TE has identified as EU RoHS compliant have a maximum concentration of 0.1% by weight in homogenous materials for lead, hexavalent chromium, mercury, PBB, PBDE, DBP, BBP, DEHP, DIBP, and 0.01% for cadmium, or qualify for an exemption to these limits as defined in the Annexes of Directive 2011/65/EU (RoHS2). Finished electrical and electronic equipment products will be CE marked as required by Directive 2011/65/EU. Components may not be CE marked. Additionally, the part numbers that TE has identified as EU ELV compliant have a maximum concentration of 0.1% by weight in homogenous materials for lead, hexavalent chromium, and mercury, and 0.01% for cadmium, or qualify for an exemption to these limits as defined in the Annexes of Directive 2000/53/EC (ELV). Regarding the REACH Regulation, the information TE provides on SVHC in articles for this part number is based on the latest European Chemicals Agency (ECHA) 'Guidance on requirements for substances in articles' posted at this URL: <https://echa.europa.eu/guidance-documents/guidance-on-reach>

### Compatible Parts



TE Part # 374466-E  
STVRD 128 MI ABCD VVV 4-00 EE 6,0 \* 247



TE Part # 374463-E  
STVRD 128 MI ABCD VVV 4-00 GA06 4,0 \* 2



TE Part # 374460-E  
STVRD 128 MI ABCD VVV 4-00 GA06 2,5 \* 2

### Customers Also Bought



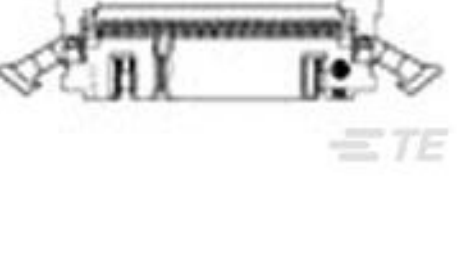
TE Part #364918-E  
STVCD 128 M ABCD VVV 4-00 0606 \* 247



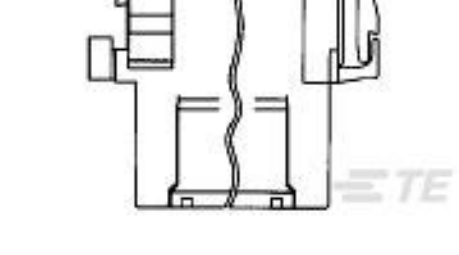
TE Part #T4113511041-000  
M12 M, 4P GOLD D\_CODE RA SHIELDED PG7



TE Part #T4112001081-000  
M12,FEMALE,RA,A CODE,8P,PG7, GOLD



TE Part #1-111494-8  
020 UNIV I/O 30DP SLOT LTCH



TE Part #929505-5  
FF TAB HOUSING 2X7P



TE Part #3-967626-1  
TAB HSG 2.8MM 9POS.



TE Part #1-1393243-0  
RTE24024



TE Part #1676437-2  
RN 0805 7K5 0.1% 10PPM 1KRL



## Documents

### Product Drawings

[STVRD 128 FI ABCD VVV 7-03 TL-S \\* \\* 247](#)

English

### CAD Files

[3D PDF](#)

3D

Customer View Model

[ENG\\_CVM\\_CVM\\_384850-E\\_C.3d\\_igs.zip](#)

English

Customer View Model

[ENG\\_CVM\\_CVM\\_384850-E\\_C.3d\\_stp.zip](#)

English

Customer View Model

[ENG\\_CVM\\_CVM\\_384850-E\\_C.2d\\_dxf.zip](#)

English

By downloading the CAD file I accept and agree to the [Terms and Conditions](#) of use.

### Product Specifications

[Product Specification](#)

English