

294256-E ✓ ACTIVE

ERNI | ERNI MicroCon

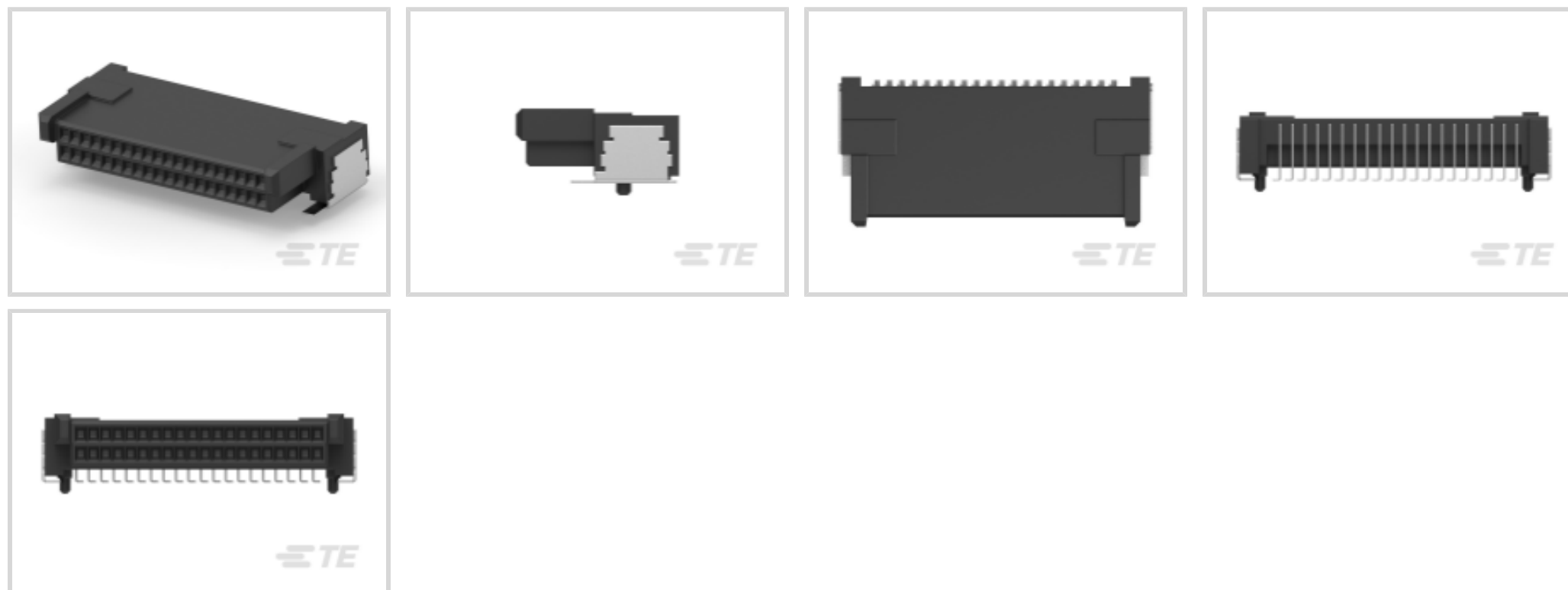
TE Internal #: 294256-E

PCB Mount Receptacle, Right Angle, Board-to-Board, 40 Position, .8 mm [.031 in] Centerline, Fully Shrouded, Gold (Au), Surface Mount, ERNI MicroCon

[View on TE.com >](#)



Connectors > PCB Connectors > PCB Headers & Receptacles



PCB Connector Type: **PCB Mount Receptacle**

Connector System: **Board-to-Board**

Number of Positions: **40**

Number of Rows: **2**

Centerline (Pitch): **.8 mm [.031 in]**

Features

Product Type Features

Connector Shape	Rectangular
PCB Connector Type	PCB Mount Receptacle
Connector System	Board-to-Board
Header Type	Fully Shrouded
Connector & Contact Terminates To	Printed Circuit Board
Connector Product Type	Connector Assembly

Configuration Features

Number of Columns	20
Connector Contact Load Condition	Fully Loaded
Number of Loaded Positions	40
Number of Positions	40
Number of Rows	2
PCB Mount Orientation	Right Angle
Board-to-Board Configuration	Perpendicular



Electrical Characteristics

Insulation Resistance	100 MΩ
Dielectric Withstanding Voltage (Max)	500 Vrms

Body Features

Primary Product Color	Black
-----------------------	-------

Contact Features

PCB Contact Termination Area Plating Material Thickness	4 – 6 μm[157.48 – 236.22 μin]
Contact Layout	Matrix
Contact Base Material	Copper Alloy
Contact Mating Area Plating Material	Gold (Au)
Contact Type	Socket
Contact Current Rating (Max)	2.82 A
PCB Contact Termination Area Plating Material	Tin

Termination Features

Termination Method to PCB	Surface Mount
---------------------------	---------------

Mechanical Attachment

PCB Mount Alignment Type	Pegs
Mounting Alignment Feature Length	.7 mm[.027 in]
Mating Alignment Type	Polarization
Connector Mounting Type	Board Mount
Mating Alignment	With
PCB Mount Alignment	With
PCB Mount Retention	With

Housing Features

Mating Entry Location	Side
Centerline (Pitch)	.8 mm[.031 in]
Housing Material	Liquid Crystal Polymer (LCP)

Usage Conditions

Operating Temperature (Max)	125 °C[257 °F]
Operating Temperature Range	-55 – 125 °C[-67 – 257 °F]

Operation/Application

Circuit Application	Power & Signal
---------------------	----------------



Industry Standards

UL Flammability Rating	UL 94V-0
------------------------	----------

Packaging Features

Packaging Method	Tape & Reel
------------------	-------------

Product Compliance

[For compliance documentation, visit the product page on TE.com>](#)

EU RoHS Directive 2011/65/EU	Compliant
EU ELV Directive 2000/53/EC	Not Yet Reviewed
China RoHS 2 Directive MIIT Order No 32, 2016	有害物质含量符合标准要求 No Restricted Substance(s) Above Threshold
EU REACH Regulation (EC) No. 1907/2006	Current ECHA Candidate List: FEB 2026 (253) Candidate List Declared Against: JUNE 2023 (235) Does not contain REACH SVHC
Halogen Content	Not Yet Reviewed for halogen content
Solder Process Capability	Not reviewed for solder process capability

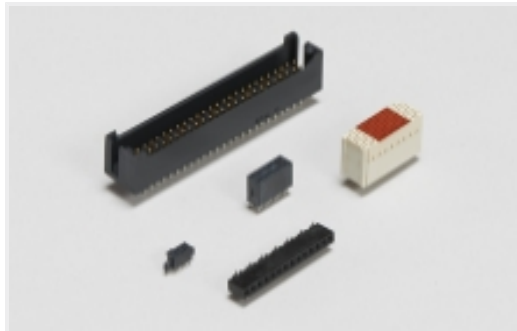
Product Compliance Disclaimer

This information is provided based on reasonable inquiry of our suppliers and represents our current actual knowledge based on the information they provided. This information is subject to change. The part numbers that TE has identified as EU RoHS compliant have a maximum concentration of 0.1% by weight in homogenous materials for lead, hexavalent chromium, mercury, PBB, PBDE, DBP, BBP, DEHP, DIBP, and 0.01% for cadmium, or qualify for an exemption to these limits as defined in the Annexes of Directive 2011/65/EU (RoHS2). Finished electrical and electronic equipment products will be CE marked as required by Directive 2011/65/EU. Components may not be CE marked. Additionally, the part numbers that TE has identified as EU ELV compliant have a maximum concentration of 0.1% by weight in homogenous materials for lead, hexavalent chromium, and mercury, and 0.01% for cadmium, or qualify for an exemption to these limits as defined in the Annexes of Directive 2000/53/EC (ELV). Regarding the REACH Regulation, the information TE provides on SVHC in articles for this part number is based on the latest European Chemicals Agency (ECHA) 'Guidance on requirements for substances in articles' posted at this URL: <https://echa.europa.eu/guidance-documents/guidance-on-reach>

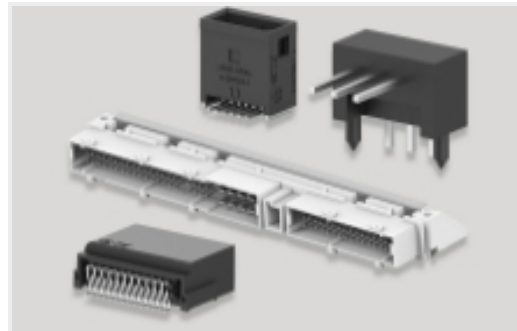
Compatible Parts



Also in the Series | ERNI MicroCon



Board-to-Board Headers & Receptacles(44)

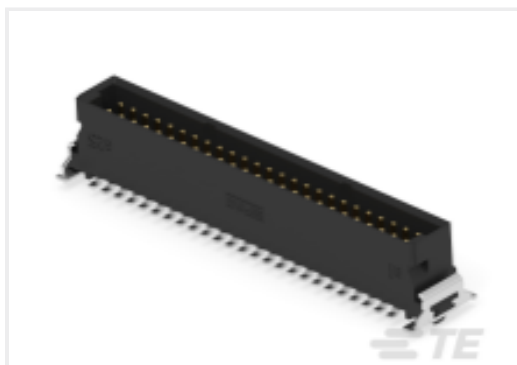


PCB Headers & Receptacles(44)



Rectangular Power Connectors(44)

Customers Also Bought



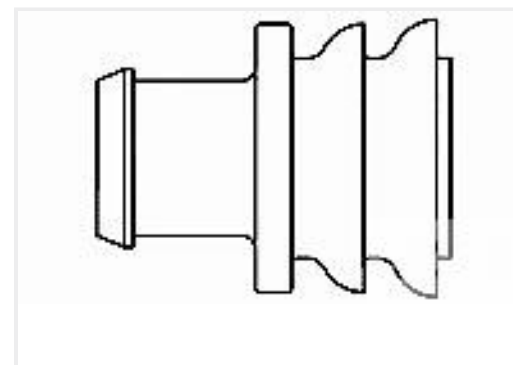
TE Part #244838-E
SMCQ 50 M AB VV 8-13 CL * H007 137
E005



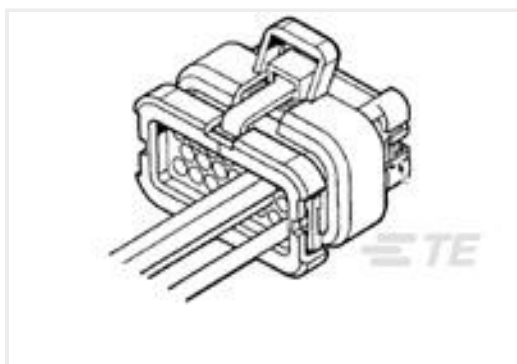
TE Part #5677962007
RNF-3000-39/13-X-STK



TE Part #148020-5
048 EURO TYPE C PIN BL ASSY



TE Part #281934-2
SINGLE WIRE SEAL



TE Part #770680-1
23POS,AMPSEAL,SOC HSG ASSY,SLD,
COD 1



TE Part #5-2364427-4
PCIE GEN5 CON,SMT,164P,30u Au,
MYLAR,HT



TE Part #2405870-5
CT 5P 300MM CABLE ASSEMBLY 6-
353908-5



TE Part #5745782-6
15 MSFL RCPT RA 318 (SL,FM)

Documents

CAD Files

Customer View Model

[ENG_CVM_CVM_294256-E_1.3d_igs.zip](#)

English

Customer View Model

[ENG_CVM_CVM_294256-E_1.3d_stp.zip](#)

English

Customer View Model

[ENG_CVM_CVM_294256-E_1.2d_dxf.zip](#)

English

[3D PDF](#)

[3D](#)

By downloading the CAD file I accept and agree to the [Terms and Conditions](#) of use.

Datasheets & Catalog Pages



[ERNI MicroCon Connector](#)

English

[ERNI MicroCon 0.8 mm Connectors](#)

German

[ERNI MicroCon 0.8 mm Connectors](#)

English