



Part Number : [03067044](#)

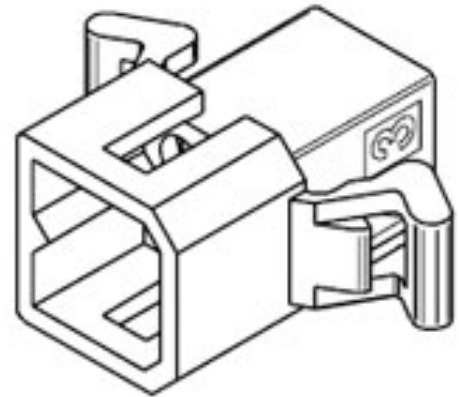
Product Description : 1.57mm Diameter Standard .062" Pin and Socket Plug Housing, Dual Row, without Mounting Ears, PA Polyamide Nylon 6/6, UL 94V-2, 4 Circuits, Black

Series Number : 2004

Status : Active

Product Category : Connector Housings

Engineering Number : 2004-P01-BK



Documents & Resources

Drawings

[003067044_sd.pdf](#)

3D Models and Design Files

[003067044_stp.zip](#)

Specifications

[20040000-PK-000.pdf](#)

Product Environment Compliance

Compliance

GADSL/IMDS	Not Relevant
China RoHS	
EU ELV	Not Relevant
Low-Halogen Status	Low-Halogen per IEC 61249-2-21
REACH SVHC	Not Contained per D(2024)6225-DC (07 Nov 2024)
EU RoHS	Compliant per EU 2015/863

[Multiple Part Product Compliance Statements](#)

- Eu RoHS
- REACH SVHC
- Low-Halogen

[Multiple Part Industry Compliance Documents](#)

- IPC 1752A Class C
- IPC 1752A Class D
- Molex Product Compliance Declaration
- IEC-62474
- chemSHERPA (xml)

EU RoHS Certificate of Compliance

Part Details

General

Status	Active
Category	Connector Housings
Series	2004
Description	1.57mm Diameter Standard .062" Pin and Socket Plug Housing, Dual Row, without Mounting Ears, PA Polyamide Nylon 6/6, UL 94V-2, 4 Circuits, Black
Application	Power, Wire-to-Wire
Product Name	Standard .062"
UPC	800754942317

Agency

CSA	LR19980
UL	E29179

Physical

Circuits Detail	2x2
Circuits (maximum)	4
Color - Resin	Black
Flammability	94V-2
Gender	Plug
Glow-Wire Capable	No
Lock to Mating Part	Yes
Material - Resin	Nylon
Net Weight	1.020/g
Number of Rows	2
Packaging Type	Bag

Panel Mount	No
Pitch - Mating Interface	3.68mm
Pitch - Termination Interface	3.68mm
Polarized to Mating Part	Yes
Stackable	No
Temperature Range - Operating	-40° to +105°C

Solder Process Data

Lead-Free Process Capability	N/A
------------------------------	-----

Mates With / Use With

Mates with Part(s)

Description	Part Number
1.57mm Diameter Standard .062" Pin and Socket Receptacle Housing, Dual Row, without Mounting Ears, PA Polyamide Nylon 6/6, UL 94V-2, 4 Circuits, Natural	<u>03061044</u>

Use with Part(s)

Description	Part Number
Standard .062" Pin and Socket Male Crimp Terminals	<u>1560</u>
Standard .062" Pin and Socket Female Crimp Terminals	<u>1561</u>
Standard .062" Pin and Socket Male PC Tail Terminals	<u>1778</u>
Standard .062" Pin and Socket Male Crimp Terminals	<u>1854</u>
Standard .062" Pin and Socket Female Crimp Terminals	<u>1855</u>