



**Part Number :** [1200740241](#)

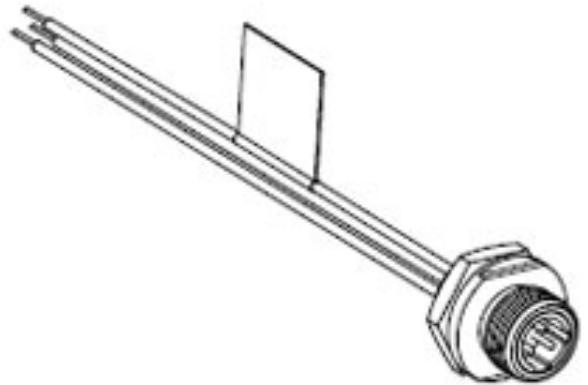
**Product Description :** Micro-Change (1/2" - 20 UNF) US Dual Keyway Receptacle, 6 Poles, 1/4" -18 NPT Mounting Threads, Male (Straight) to 22 AWG PVC Leads, 0.305m (1.0') Length

**Series Number :** 120074

**Status :** Active

**Product Category :** Circular Industrial Connectors

**Engineering Number :** 7R6A06A19A120



---

## Documents & Resources


### Drawings

[1200740241\\_sd.pdf](#)

---

## Product Environment Compliance

### Compliance

GADSL/IMDS	Not Relevant
China RoHS	
EU ELV	Not Relevant
Low-Halogen Status	Not Reviewed per IEC 61249-2-21
REACH SVHC	Contains Lead per D(2020)9139-DC (19 Jan 2021)
EU RoHS	Compliant with Exemption 6(c) per EU 2015/863

### Multiple Part Product Compliance Statements

- Eu RoHS
- REACH SVHC
- Low-Halogen

### Multiple Part Industry Compliance Documents

- IPC 1752A Class C
- IPC 1752A Class D
- Molex Product Compliance Declaration
- IEC-62474
- chemSHERPA (xml)

## Part Details

### General

Status	Active
Category	Circular Industrial Connectors
Series	120074
Description	Micro-Change (1/2" - 20 UNF) US Dual Keyway Receptacle, 6 Poles, 1/4" -18 NPT Mounting Threads, Male (Straight) to 22 AWG PVC Leads, 0.305m (1.0') Length
IP Rating	IP67
NEMA Rating	NEMA 6
Product Name	Micro-Change (1/2" - 20 UNF)
Type	Single Ended (pigtail)
UPC	78678821757

### Agency

CSA	LR6837
UL	E152210

### Electrical

Current - Maximum per Contact	4.0A
Voltage - Maximum	250V AC/DC

### Physical

Coupling Type	External Thread
Gender	Male
Keyway	Dual
Length	0.305m
Material - Component	Gray Anodized Aluminum
Mounting Thread Size	1/4" - 18 NPT
Orientation	Straight
Panel Mount	Front
Poles	6

Temperature Range - Operating	-20° to +80°C
Wire/Cable Type	Leads, UL 1061
Wire Size (AWG)	22

---

This document was generated on Feb 13, 2025