



**Part Number :** [1200845107](#)

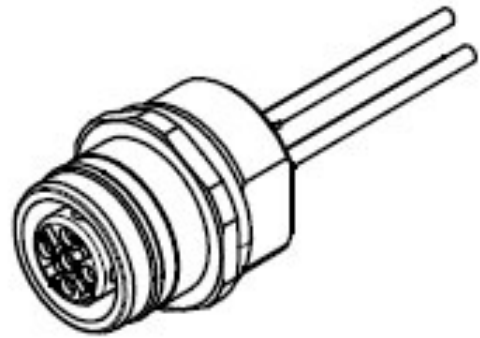
**Product Description :** Ultra-Lock (M12) Receptacle, 4 Poles, M16x1.5 Mounting Threads, Female (Straight) to 0.34mm<sup>2</sup> PVC Leads, 0.30m (11.81") Length

**Series Number :** 120025

**Status :** Active

**Product Category :** Circular Industrial Connectors

**Engineering Number :** WR4U20E03C3003



---

## Documents & Resources

### Drawings

[1200845107\\_sd.pdf](#)

---

## Product Environment Compliance

### Compliance

GADSL/IMDS	Not Relevant
China RoHS	Not Relevant
EU ELV	Compliant per 2000/53/EC
Low-Halogen Status	Not Relevant
REACH SVHC	Contains Lead; Triphenyl-phosphate per D(2024)6225-DC (07 Nov 2024)
EU RoHS	Compliant per EU 2015/863

### Multiple Part Product Compliance Statements

- Eu RoHS
- REACH SVHC
- Low-Halogen

### Multiple Part Industry Compliance Documents

- IPC 1752A Class C
- IPC 1752A Class D
- Molex Product Compliance Declaration
- IEC-62474
- chemSHERPA (xml)

## Part Details

### General

Status	Active
Category	Circular Industrial Connectors
Series	120025
Description	Ultra-Lock (M12) Receptacle, 4 Poles, M16x1.5 Mounting Threads, Female (Straight) to 0.34mm <sup>2</sup> PVC Leads, 0.30m (11.81") Length
IP Rating	IP69K
NEMA Rating	NEMA 6
Product Name	Ultra-Lock (M12)
Type	Single Ended (pigtail)
UPC	883906778804

### Agency

CSA	LR6837
-----	--------

### Electrical

Current - Maximum per Contact	4.0A
Voltage - Maximum	60V

### Physical

Coupling Type	Internal Thread
Gender	Female
Keyway	Single
Length	0.30m
Material - Component	Nickel-plated Brass
Mounting Thread Size	M16 x 1.5
Net Weight	198.200/g
Orientation	Straight
Panel Mount	Front
Poles	4
Temperature Range - Operating	-25° to +85°C

Wire/Cable Type	UL 1569
Wire Size (AWG)	22

---

This document was generated on Feb 13, 2025