



Part Number : [1301280101](#)

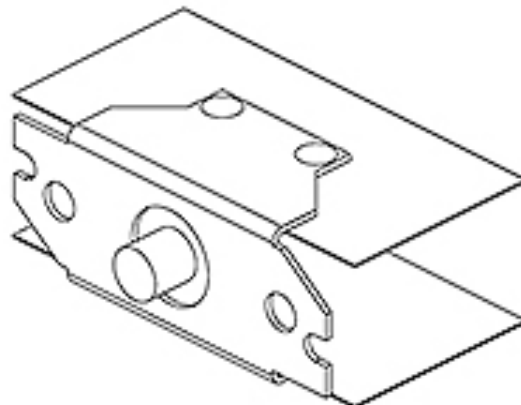
Product Description : Super-Safeway Switch Replacement, Two Speed Momentary

Series Number : 130128

Status : Active

Product Category : Push Button Products

Engineering Number : 4020-2



Product Environment Compliance

Compliance

China RoHS	Not Reviewed
EU ELV	Not Reviewed
Low-Halogen Status	Not Reviewed
REACH SVHC	Not Reviewed
EU RoHS	Not Reviewed

Multiple Part Product Compliance Statements

- Eu RoHS
- REACH SVHC
- Low-Halogen

Multiple Part Industry Compliance Documents

- IPC 1752A Class C
- IPC 1752A Class D
- Molex Product Compliance Declaration
- IEC-62474
- chemSHERPA (xml)

EU RoHS Certificate of Compliance

Part Details

General

Status	Active
Category	Push Button Products

Series	130128
Description	Super-Safeway Switch Replacement, Two Speed Momentary
Accessory / Replacement Type	Two Speed-Momentary Switch
Enclosure Rating	N/A
Product Name	Super-Safeway
Type	Replacement Part
UPC	78678875424

Electrical

Voltage - Maximum	250V
-------------------	------

Physical

Cord Diameter	N/A
Cord Grip Body Size	N/A
Emergency Stop	No
Material - Body	N/A
Number of Speeds	Two
Packaging Type	Carton