



Part Number : [1210641756](#)

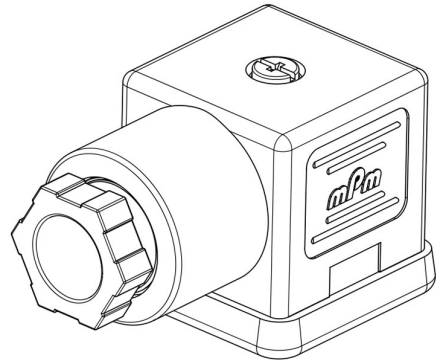
Product Description : mPm DIN Valve Connector, Form A-18mm, M16x1.5 Internal Threads, 2 Pole Plus Ground with C3 Circuit, 24V, Red LED, Transparent, Nitrile Profile Gasket and Screw, Mounted, Bulk Pack

Series Number : 121064

Status : Active

Product Category : Circular Industrial Connectors

Engineering Number : S182M6TC321



Documents & Resources

Drawings

[1210641756_sd.pdf](#)

Product Environment Compliance

Compliance

China RoHS	Not Reviewed
EU ELV	Not Reviewed
Low-Halogen Status	Not Reviewed
REACH SVHC	Not Reviewed
EU RoHS	Not Reviewed

Multiple Part Product Compliance Statements

- Eu RoHS
- REACH SVHC
- Low-Halogen

Multiple Part Industry Compliance Documents

- IPC 1752A Class C
- IPC 1752A Class D
- Molex Product Compliance Declaration
- IEC-62474
- chemSHERPA (xml)

EU RoHS Certificate of Compliance

Part Details

General

Status	Active
Category	Circular Industrial Connectors
Series	121064
Description	mPm DIN Valve Connector, Form A-18mm, M16x1.5 Internal Threads, 2 Pole Plus Ground with C3 Circuit, 24V, Red LED, Transparent, Nitrile Profile Gasket and Screw, Mounted, Bulk Pack
IP Rating	IP65
Product Name	mPm
Type	Field Attachable Connector
UPC	884982302198

Agency

UL	E218123
----	---------

Electrical

Current - Maximum per Contact	16.0A
Voltage - Maximum	24V

Physical

Cable Diameter	6.00-8.00mm (.236-.315")
Coupling Type	Internal Thread
Diagnostics / LEDs	Yes
Diagnostics Port	No
Form	A - 18mm
Gender	N/A
Keyway	None
Material - Connector Body	Polypropylene
Material - Contact	Brass
Material - Coupling Nut	N/A
Material - Plating Mating	Silver
Net Weight	21.762/g

Orientation	90° Angle
Pitch - Mating Interface	18.00mm
Poles	2
Temperature Range - Operating	-40°C to +90°C
Wire Size (AWG)	16

This document was generated on Feb 13, 2025