



adler® AXE 1500 Vdc Series Fuse



FEATURES:

- Rated Voltage: 1500 Vdc
- Amperage Rating: 125A~400A
- Breaking Capacity: 50kA
- Time Constant: 1~3ms
- Class Type: gPV
- Strong current limiting capacity
- AXE series PN in this datasheet is without microswitch
- Optional microswitch available PN: MS0003

DESCRIPTION

Adler AXE series PV fuses are engineered and manufactured for use in Combiner Box and Power Storage Protection, made from the highest quality materials and tested to the highest standards. With rated currents from 125A to 400A with a breaking capacity of 50kA.

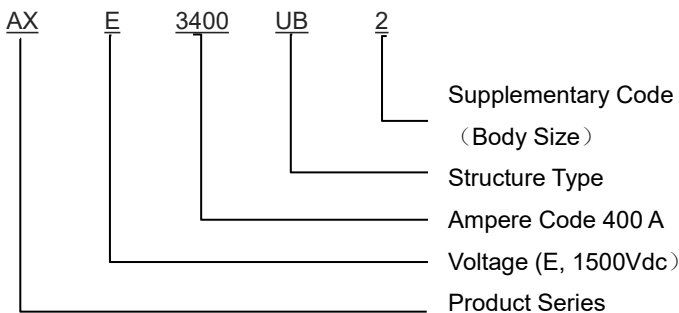
AGENCY INFORMATION

- Designed to IEC 60269 – 1 / IEC 60269 - 6
- Certification: UL, TUV
- Manufactured under IATF 16949 quality system
- RoHS and REACH Compliant

APPLICATIONS

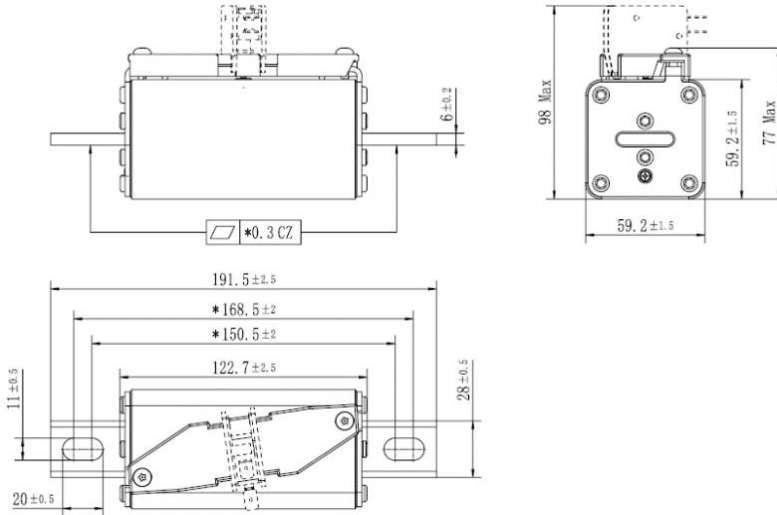
- Converter/Combiner box protection
- Power storage protection

PART NUMBER SYSTEM



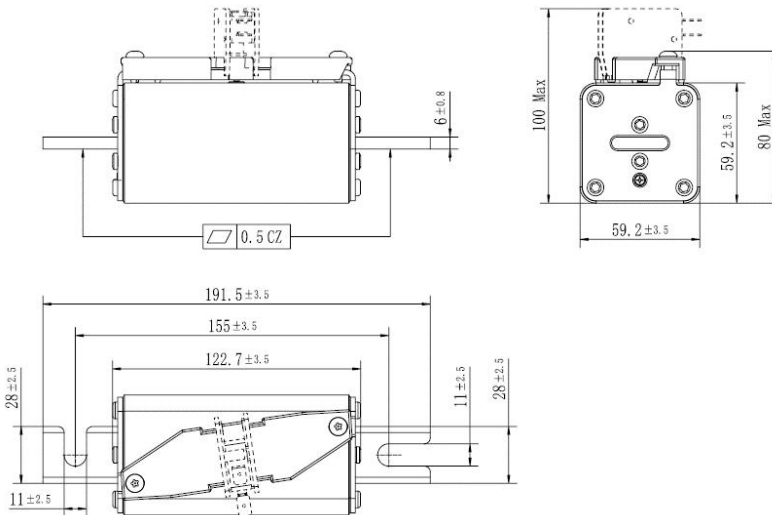
DIMENSIONS (mm)

AXE3400UB2



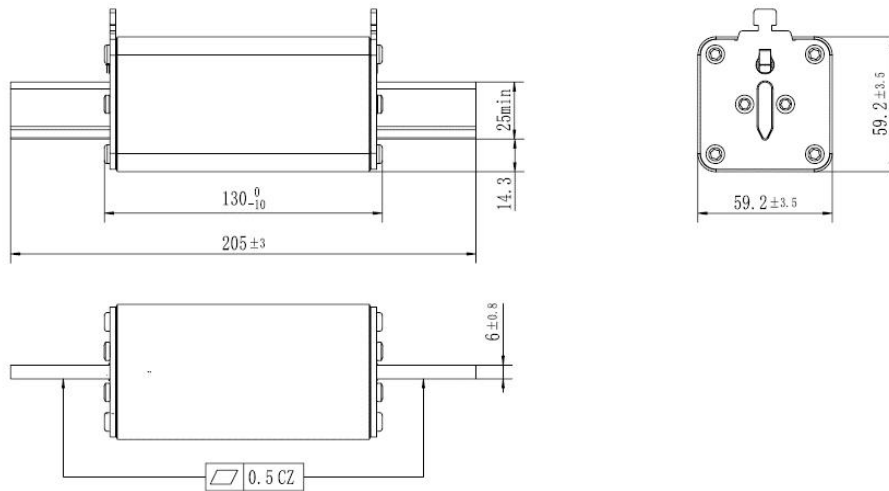
Box specifications (mm)	Packing quantity / per container	Weight / PCS (g) without microswitch	Recommended Screw	Recommended tightening torque (N·m)
395×265×230	8pcs	1208±3%	M10	20±1

AXE3400DB2



Box specifications (mm)	Packing quantity / per container	Weight / PCS (g) without microswitch	Recommended Screw	Recommended tightening torque (N·m)
395×265×230	8pcs	1208±3%	M10	20±1

AXE3400b00



Box specifications (mm)	Packing quantity / per container	Weight / PCS (g) without microswitch	Mounting Method
395×265×230	8pcs	1208±3%	---

ELECTRICAL CHARACTERISTIC

PART NUMBER			RATED CURRENT	RATED VOLTAGE	BREAKING CAPACITY	I ² T (A ² S)		POWER LOSS / W_70% RATED	POWER LOSS / W_100% RATED
BOLTED	BOLTED	DIN				PRE-ARCING	TOTAL		
AXE3125UB2	AXE3125DB2	AXE3125b00	125A	1500 Vdc	50KA	5400	38900	21	40
AXE3160UB2	AXE3160DB2	AXE3160b00	160A	1500 Vdc	50KA	7600	54500	23	44
AXE3200UB2	AXE3200DB2	AXE3200b00	200A	1500 Vdc	50KA	9900	70900	28	56
AXE3250UB2	AXE3250DB2	AXE3250b00	250A	1500 Vdc	50KA	17600	126000	30	60
AXE3315UB2	AXE3315DB2	AXE3315b00	315A	1500 Vdc	50KA	31300	224100	37	77
AXE3350UB2	AXE3350DB2	AXE3350b00	350A	1500 Vdc	50KA	44200	316000	40	80
AXE3400UB2	AXE3400DB2	AXE3400b00	400A	1500 Vdc	50KA	64500	500000	39	89

UL File: E490190 TUV File: 50601645



Operating conditions:

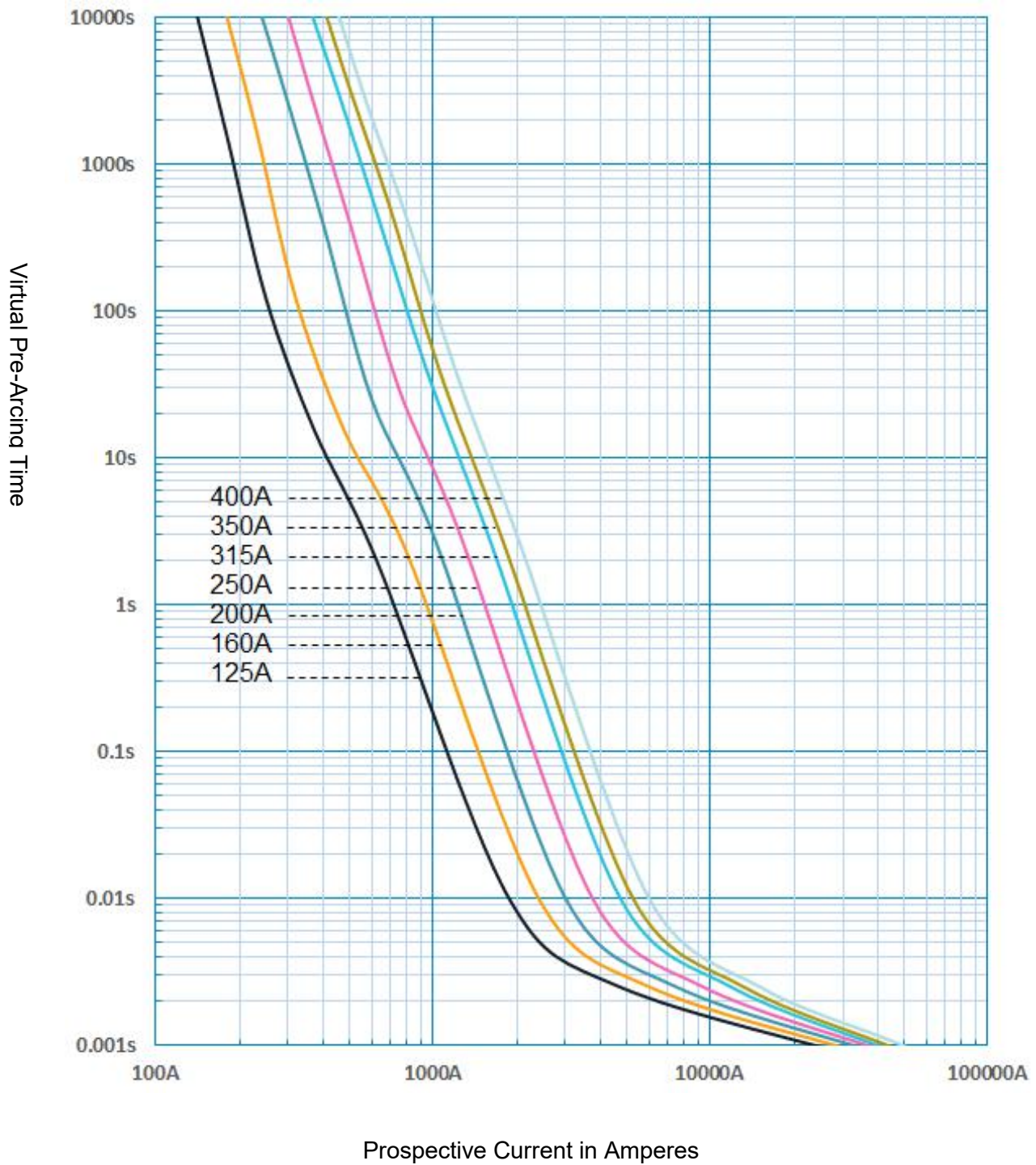
Where the following conditions apply, fuses complying with this standard are deemed capable of operating satisfactorily without further qualification.

- Installation suggestion: Screw M10, Tightening torque $20 \pm 1 \text{ N} \cdot \text{m}$.
- Normal temperature: $-5^\circ\text{C} \sim 40^\circ\text{C}$, permissible operating temperature: $-40^\circ\text{C} - 120^\circ\text{C}$.
- The altitude of the site of installation of the fuses should not exceed 2000 m above sea level and permissible altitude site of installation does not exceed 5000m.
- The air should be clean and its relative humidity does not exceed 50 % at the maximum temperature of 40°C .
- Higher relative humidity's are permitted at lower temperatures, e.g., 90 % at 20°C .
- Pollution grade III
- Under these conditions, moderate condensation may occasionally occur due to variation in temperature.
- For operating conditions other than above, please contact the manufacturer.

Storage:

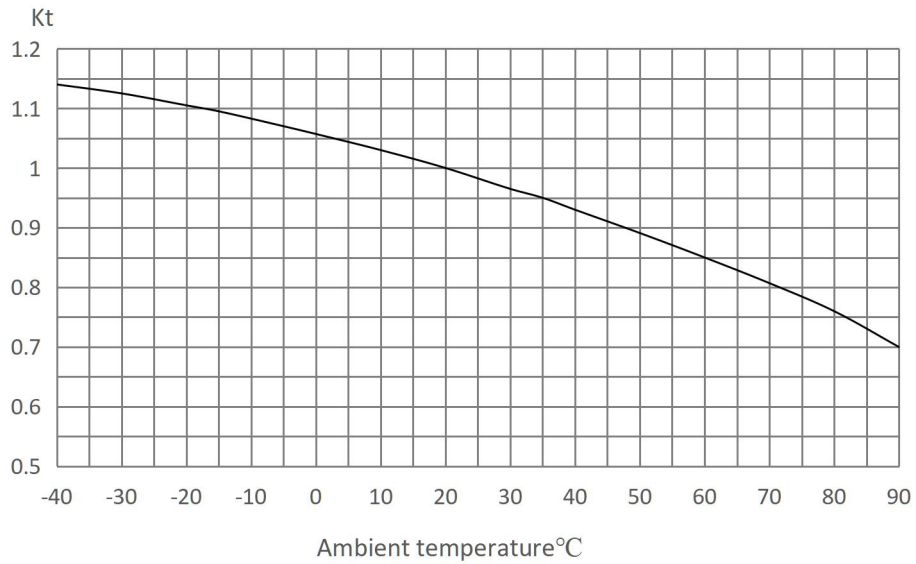
During transportation and storage, customer should avoid water seepage and mechanical damage.

Time Current Curve



TEMPERATURE CORRECTION CURVE

When the fuse is operating below -5°C or above 40°C , the rated current needs additional modification. The correction factor is K_t .



WEB RESOURCES

Download the latest technical documents: www.adlerelectric.com. Specifications are subject to change without notice.