



Part Number : [1200845002](#)

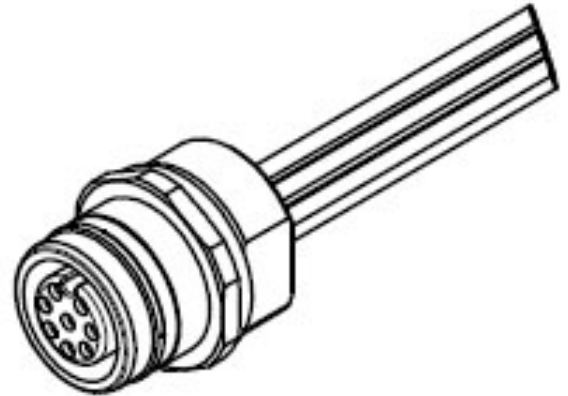
Product Description : Ultra-Lock (M12) Receptacle, 8 Poles, Female (Straight) to Leads, M 16x1.5 Threads, 1.0m (3.28') Length

Series Number : 120084

Status : Active

Product Category : Circular Industrial Connectors

Engineering Number : WR8U20E02M010



---

## Documents & Resources

### Drawings

[1200845002\\_sd.pdf](#)

---

## Product Environment Compliance

### Compliance

GADSL/IMDS	Not Relevant
China RoHS	
EU ELV	Not Relevant
Low-Halogen Status	Not Low-Halogen per IEC 61249-2-21
REACH SVHC	Contains Triphenyl-phosphate; Lead per D(2024)6225-DC (07 Nov 2024)
EU RoHS	Compliant with Exemption 6(c) per EU 2015/863

### Multiple Part Product Compliance Statements

- Eu RoHS
- REACH SVHC
- Low-Halogen

### Multiple Part Industry Compliance Documents

- IPC 1752A Class C
- IPC 1752A Class D
- Molex Product Compliance Declaration

- IEC-62474

- chemSHERPA (xml)

EU RoHS Certificate of Compliance

---

## Part Details

### General

Status	Active
Category	Circular Industrial Connectors
Series	120084
Description	Ultra-Lock (M12) Receptacle, 8 Poles, Female (Straight) to Leads, M 16x1.5 Threads, 1.0m (3.28') Length
IP Rating	IP69K
NEMA Rating	NEMA 6
Product Name	Ultra-Lock (M12)
Type	Single Ended (pigtail)
UPC	883906269418

### Agency

CSA	LR6837
-----	--------

### Electrical

Current - Maximum per Contact	2.0A
Voltage - Maximum	30V AC / 36V DC

### Physical

Coupling Type	Internal Thread
Gender	Female
Keyway	Single
Length	1.0m
Material - Component	Nickel-plated Brass
Mounting Thread Size	M16 x 1.5
Net Weight	49.207/g
Orientation	Straight
Panel Mount	Front

Poles	8
Temperature Range - Operating	-25° to +85°C
Wire/Cable Type	Leads, UL 1061
Wire Size (AWG)	24

---

This document was generated on Feb 13, 2025