

IE-TO-USB-AB



Mounting rail outlet, USB coupling (A-A) design according to IEC 61076-3-107

General ordering data

Version	Terminal rail outlet, USB, IP20
Order No.	1438180000
Type	IE-TO-USB-AB
GTIN (EAN)	4050118244380
Qty.	1 items

IE-TO-USB-AB

Weidmüller Interface GmbH & Co. KG
 Klingenbergstraße 26
 D-32758 Detmold
 Germany

www.weidmueller.com

Technical data

Approvals

ROHS	Conform
------	---------

Dimensions and weights

Net weight	36 g
------------	------

Temperatures

Storage temperature	Operating temperature	-40 °C...70 °C
Installation temperature		

Environmental Product Compliance

RoHS Compliance Status	Compliant without exemption
REACH SVHC	No SVHC above 0.1 wt%

General Info

Connection 1	USB A	Connection 2	USB B
Wiring	USB	Colour	Light Grey
Housing main material	PA UL 94 V0	Type of mounting	TS 35
Protection degree	IP20		

General standards

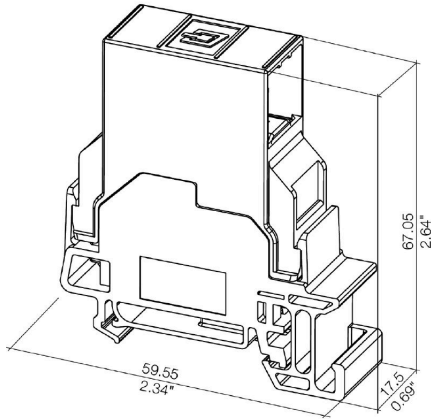
Connector standard	IEC 61076-3-107
--------------------	-----------------

Classifications

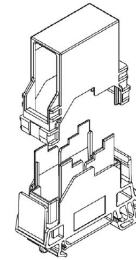
ETIM 6.0	EC000313	ETIM 7.0	EC000313
ETIM 8.0	EC000313	ETIM 9.0	EC000313
ETIM 10.0	EC000313	ECLASS 9.0	27-44-03-20
ECLASS 9.1	19-17-01-25	ECLASS 10.0	27-44-03-20
ECLASS 11.0	27-44-03-20	ECLASS 12.0	27-44-03-20
ECLASS 13.0	27-44-03-20	ECLASS 14.0	27-44-03-20
ECLASS 15.0	27-44-03-20		

Drawings

Dimensioned drawing

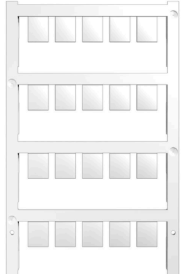


Drawing



Accessories

Blank



ESG is the tried-and-tested marker in MultiCard format for use on many well-known electrical devices. The result is high-quality device marking with a high-contrast appearance.

Various types are available for devices from manufacturers like Siemens, ABB, Beckhoff etc.

Advantages at a glance:

- Tags for universal usage, self-adhesive or clip-on tags, depending on type
- For aligned equipment, e.g. circuit breakers, we supply ESG markers for clipping onto tag rails
- Individual laser-quality printing according to specifications

For custom printing: Please send us a file of our labeling software M-Print PRO or M-Print PRO Online (without installation) for your labeling specifications.

General ordering data

Type	ESG 9/11 K MC NE WS	Version	
Order No.	1857440000	ESG, Device markers x 11 mm, PA 66, Colour: white, Self-adhesive	
GTIN (EAN)	4032248402731		
Qty.	200 ST		