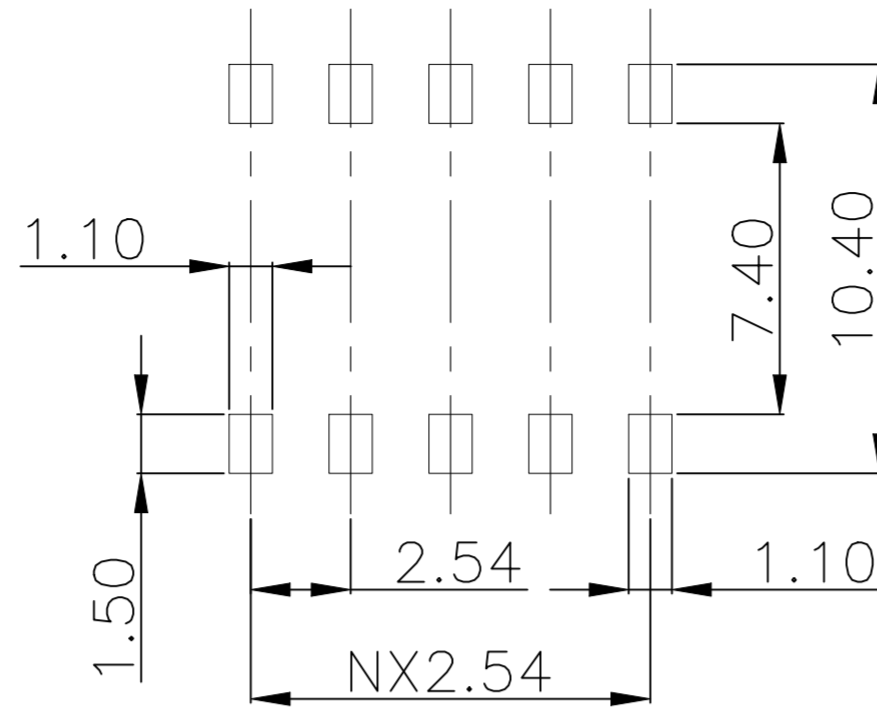
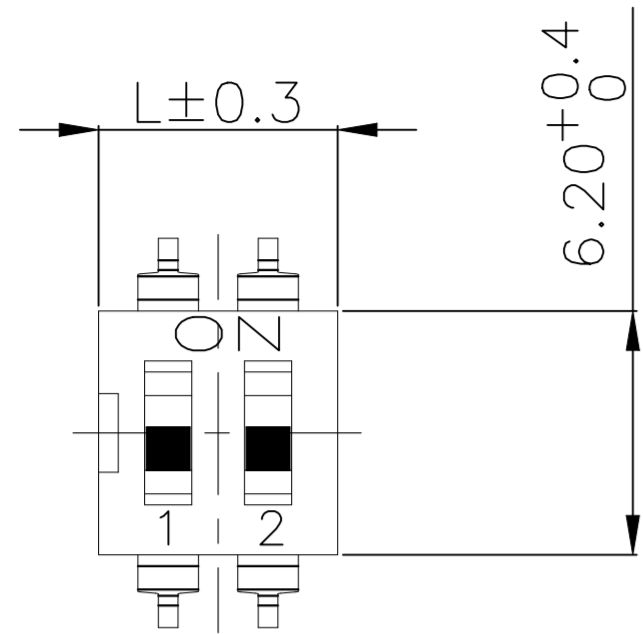
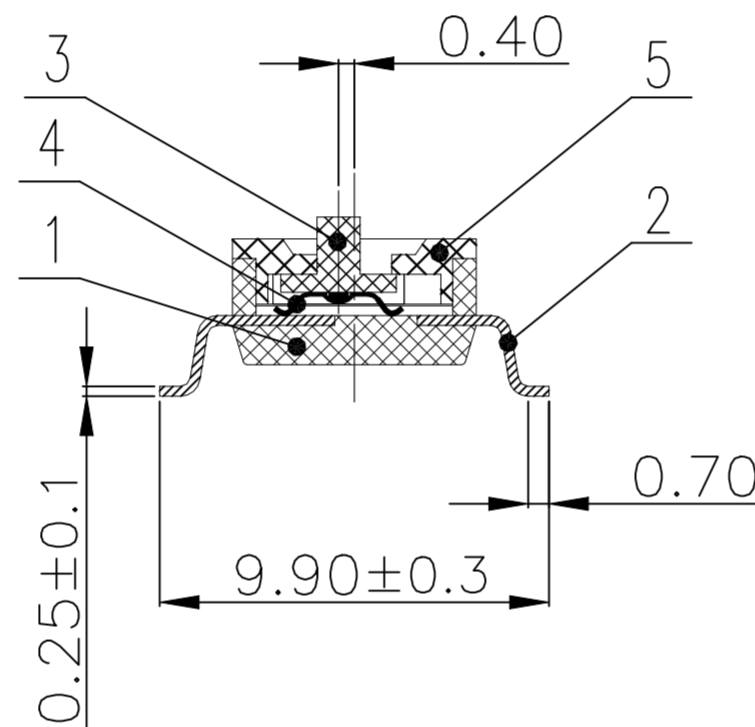
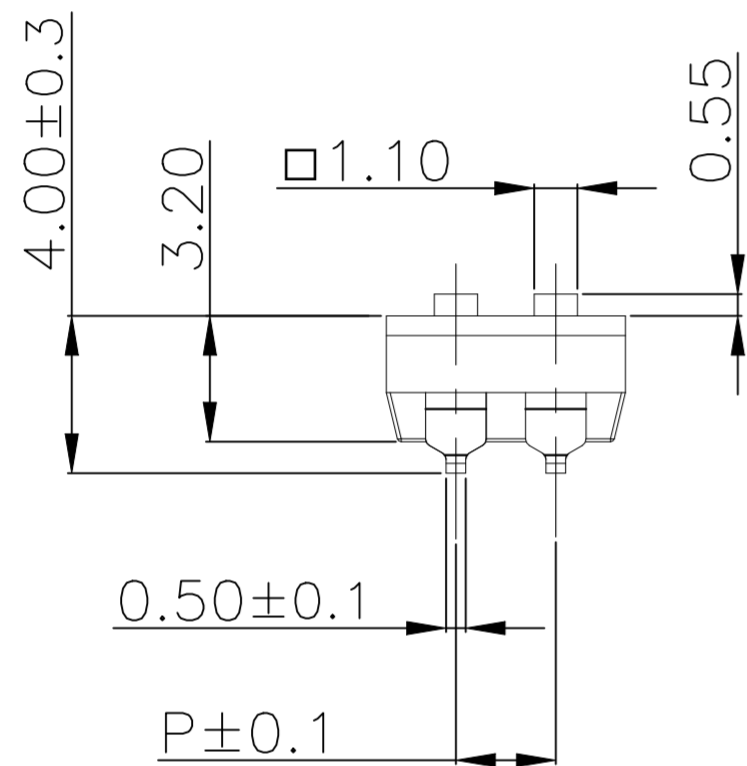


REVISIONS					
P	LTR	DESCRIPTION	DATE	DWN	APVD
1		NEW DRAWING	06JUN2023	LP	MY



P.C.B HOLE DIMENSION



SPECIFICATION

- Rating :
 - Switching : 25mA,24VDC
 - Non-Switching : 100mA,50VDC
- Contact Resistance :
 - Initial 50mΩ Max
 - After Life Test 150mΩ Max
- Insulation Resistance : 100MΩ Min/500 VDC
- Withstand Voltage: 500VAC for 1 minute
- Operating Force : 1Kgf Max
- Stroke : 0.9mm
- Mechanical Life : 1,000 Cycles
- Electrical Life : Min 1,000 Cycles/25mA,24VDC
- Operating Temperature guarantee range :
 - 40°C~+85°C
- Storage Temperature : -40°C~+85°C
- Soldering Information :
 - Reflow Soldering : 260°C, 10sec Max (Peak Temperature)
 - Manual Soldering : 30W iron, 320±5°C, 3sec Max
 - Keep in "OFF" Position During Soldering

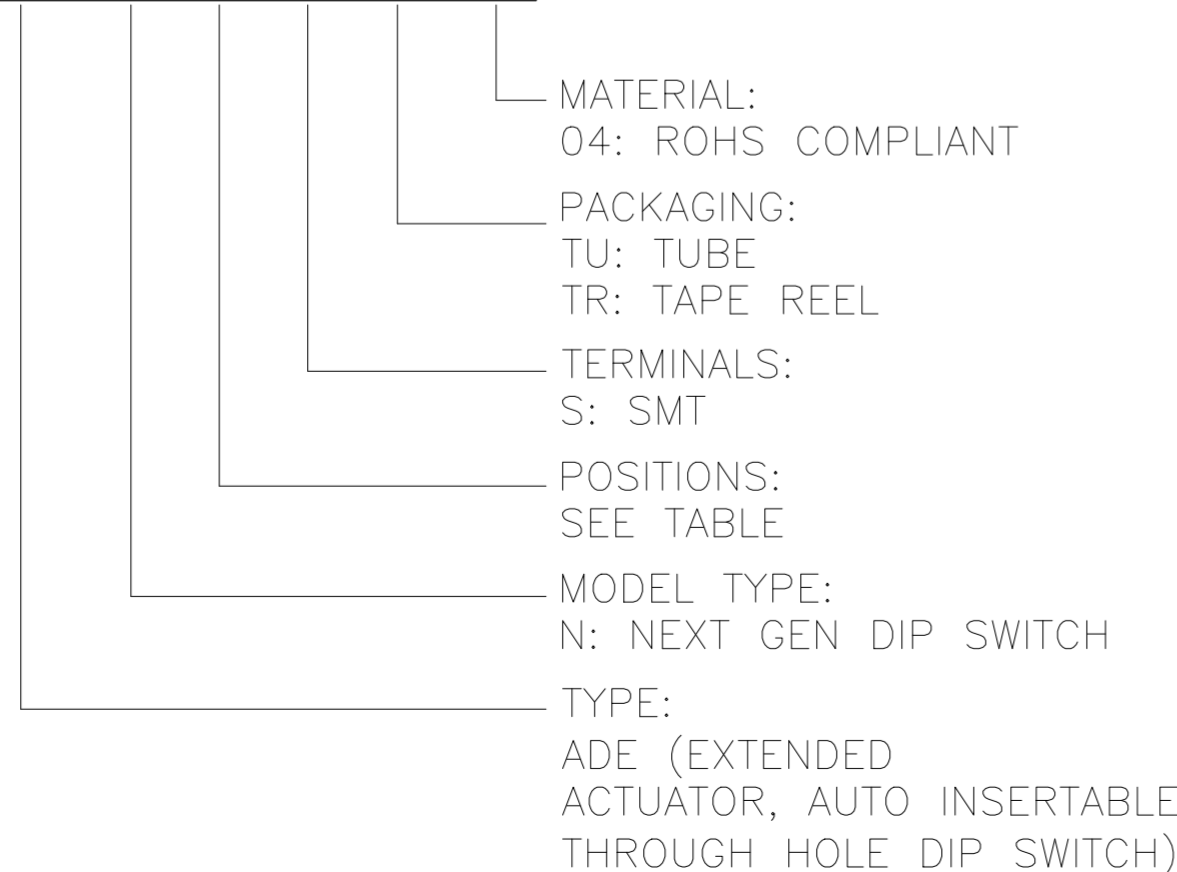
NOTE

- Switches to be Received In The "OFF" Position and Packaged In Clear Tubes to Accommodate Auto Insertion
- Top Surface to be Clearly Marked as Shown
- All raw materials must comply with RoHS

AUTOMOTIVE STANDARD MANAGEMENT TOLERANCE

DIMENSION	0 to 3	3 to 6	6 to 30	30to120	120to400	Angular tolerance unless otherwise specified : ±2'
TORERANCE	±0.15	±0.2	±0.25	±0.3	±0.5	

Model No. Explanation
ADE N XX S XX 04



NO.	PART NAME	PART(CODE) NO	MATERIAL	NOTE
5	COVER	-	PA9T	UL94V-0
4	CONTACT	-	BERYLLIUM COPPER	PLATE : GOLD FLASH/NICKEL
3	ACTUATOR	-	PA46	UL94V-0
2	TERMINAL	-	PHOSPHOR BRONZE	PLATE : GOLD FLASH/NICKEL
1	T/CASE	-	PA9T	UL94V-0

SL NO.	DESCRIPTION	POSITION	DIM "L" (mm)	DIM "P" (mm)	TE SMART PN	TE PN
3	ADE NEXT GEN. 02 POS. SMT TR	2P	6.08	2.54	ADEN02STR04	2454985-3
2	ADE NEXT GEN. 2 POS. SMT TU	2P	6.08	2.54	ADEN02STU04	2454985-2
1	ADE NEXT GEN. 10 POS. SMT TU	10P	26.40	22.86	ADEN10STU04	2454985-1

THIS DRAWING IS A CONTROLLED DOCUMENT.

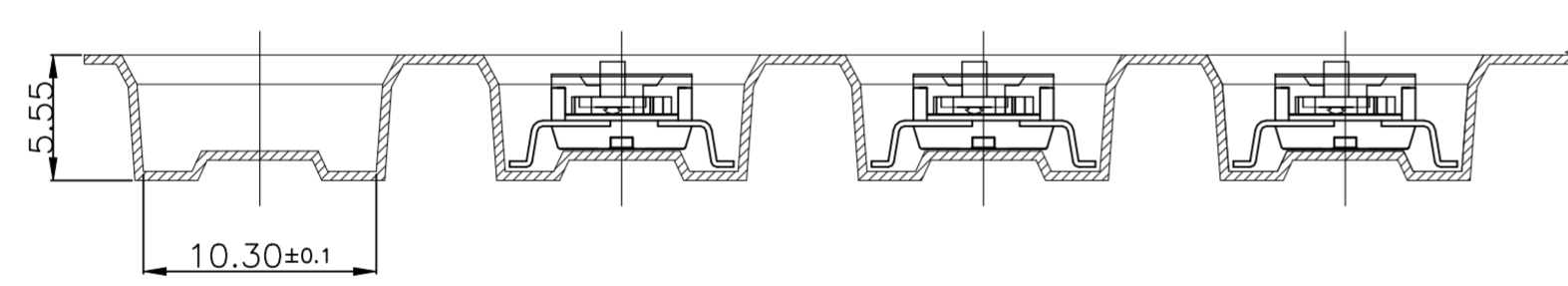
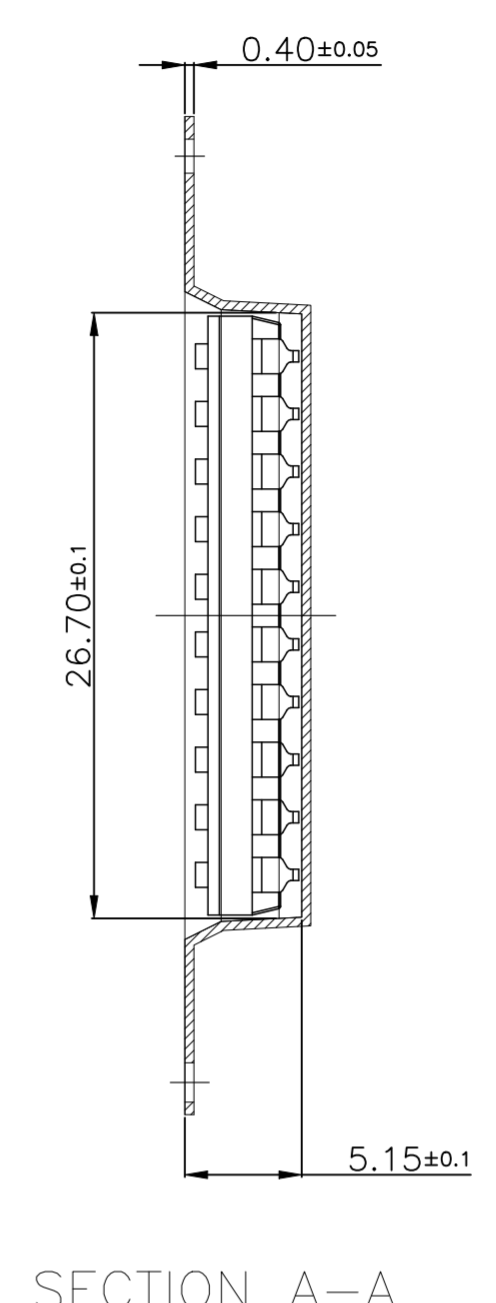
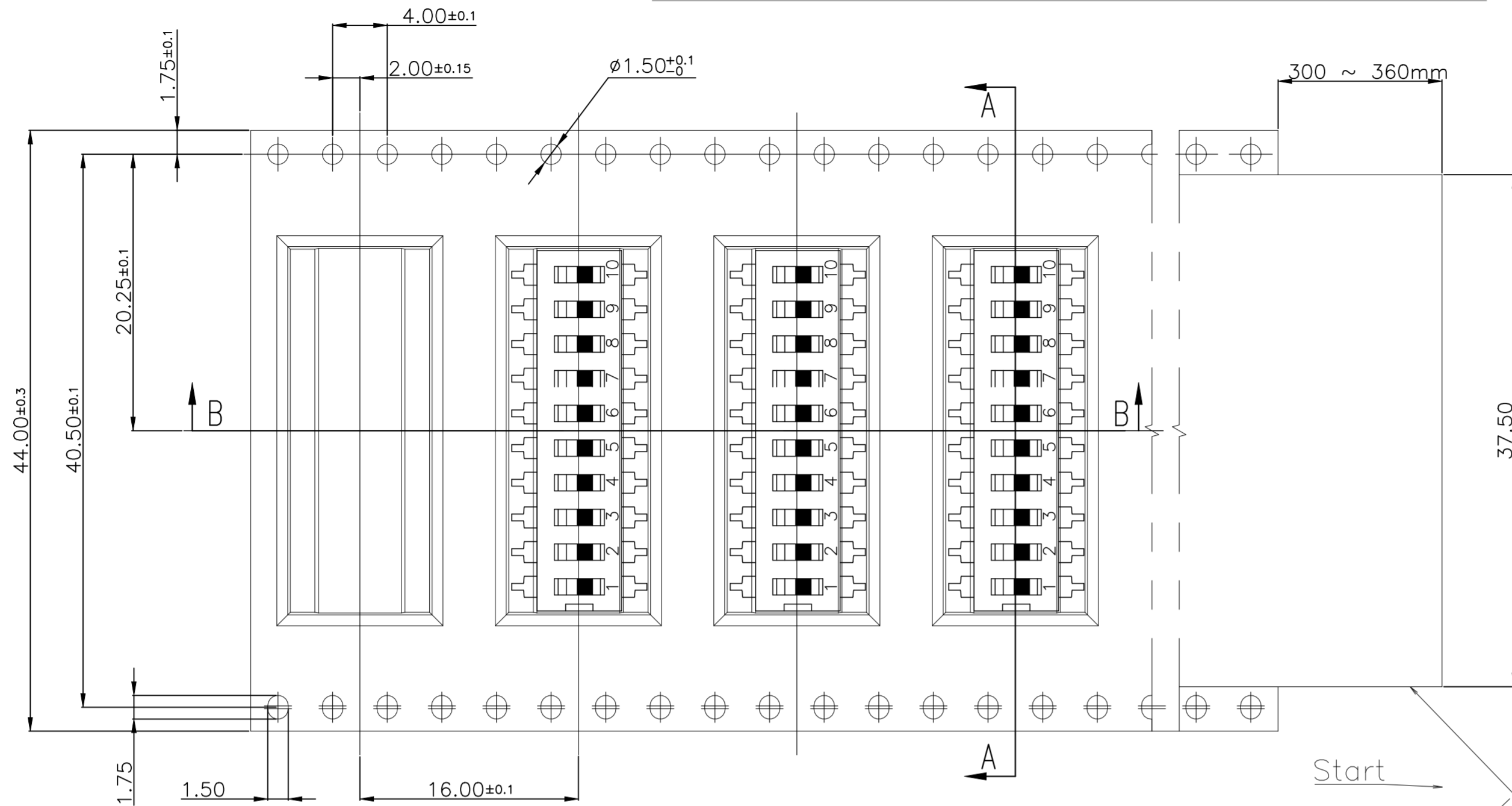
DWN: LINGANATHAN P 26MAY2023
CHK: MANOJ, YADAV 26MAY2023
APVD: MANOJ, YADAV 26MAY2023

TE Connectivity
PRELIMINARY
ADE NEXT GEN, 2 POS. SMT TU

DIMENSIONS: mm	TOLERANCES UNLESS OTHERWISE SPECIFIED:	0 PLC ± -	1 PLC ± -	2 PLC ± -	3 PLC ± -	4 PLC ± -	ANGLES ± -	FINISH	WEIGHT	SIZE	CAGE CODE	DRAWING NO	RESTRICTED TO
										A2	00779	C=2454985	
CUSTOMER DRAWING											SCALE	SHEET	REV
											1:1	1 of 2	1

TAPE & REEL PACKAGING DETAILS

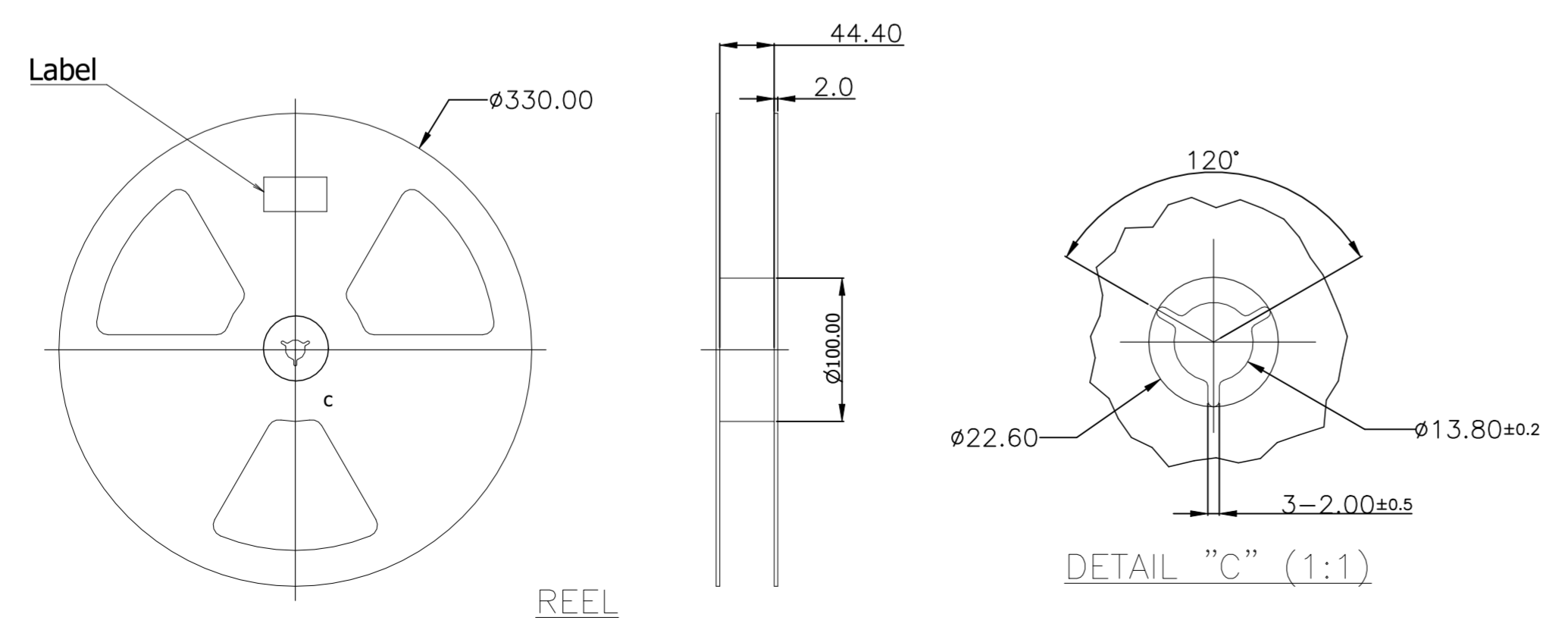
REVISIONS					
P	LTR	DESCRIPTION	DATE	DWN	APVD
-	-	SEE SHEET 1	-	-	-



SECTION B-B

Start → Cover tape

SECTION A-A



REEL

DETAIL "C" (1:1)

Packing Specification		
Non-Pocket Portion	Trailer Portion	200mm [20 pocket min]
	Leader Portion	20 pocket min
S/W Packing Q'TY		800 pcs

THIS DRAWING IS A CONTROLLED DOCUMENT.		DWN LINGANATHAN P 26MAY2023	TE TE Connectivity	
DIMENSIONS: mm		CHK MANOJ. YADAV 26MAY2023		
TOLERANCES UNLESS OTHERWISE SPECIFIED:		APVD MANOJ. YADAV 26MAY2023	NAME ADE NEXT GEN, 2 POS. SMT TU	
0 PLC ± -	1 PLC ± -	PRODUCT SPEC -	APPLICATION SPEC -	
2 PLC ± -	3 PLC ± -	WEIGHT -	SIZE A2	CAGE CODE 00779
4 PLC ± -	ANGLES ± -	CUSTOMER DRAWING	DRAWING NO C=2454985	
FINISH -		SCALE 1:1	SHEET 2 OF 2	REV 1