



Antennas



Communication Protocol: **NFC**
 Mounting Location: **Internal/Embedded**
 Mounting Type: **Adhesive Mount**
 Frequency Category: **0 – 50**
 Antenna Type: **Flexible PCB (FPC)**

Features

Product Type Features

Antenna Product Type	Antenna
----------------------	---------

Configuration Features

Antenna Style	Flexible PCB
Mounting Location	Internal/Embedded
Antenna Type	Flexible PCB (FPC)
Band Type	Single Band
Port Configuration	Single Port

Electrical Characteristics

Antenna Operation	Passive
-------------------	---------

Signal Characteristics

Frequency Band	13.56 MHz
Frequency Category	0 – 50

Body Features

Antenna Weight	.1 g[.004 oz]
----------------	---------------

Mechanical Attachment



Mounting Type	Adhesive Mount
---------------	----------------

Operation/Application

Directionality	Omnidirectional
----------------	-----------------

Industry Standards

Communication Protocol	NFC
------------------------	-----

Primary Application	NFC
---------------------	-----

Product Availability

Applicable Region	Global
-------------------	--------

Packaging Features

Packaging Method	Bag & Box
------------------	-----------

Product Compliance

[For compliance documentation, visit the product page on TE.com>](#)

EU RoHS Directive 2011/65/EU	Not Compliant
------------------------------	---------------

EU ELV Directive 2000/53/EC	Not Yet Reviewed
-----------------------------	------------------

China RoHS 2 Directive MIIT Order No 32, 2016	有害物质含量超出标准 Restricted Substance(s) Above Threshold
---	--

EU REACH Regulation (EC) No. 1907/2006	Current ECHA Candidate List: JUNE 2025 (250) Candidate List Declared Against: JUNE 2024 (241) SVHC > Threshold: Pb (4% in Component Part)
--	--

Article Safe Usage Statements:

Do not eat, drink or smoke when using this product. Wash thoroughly after handling. Recycle if possible and dispose of the article by following all applicable governmental regulations relevant to your geographic location.

Halogen Content	Low Halogen - Br, Cl, F < 900 ppm per homogenous material. Also BFR/CFR/PVC Free
-----------------	--

Solder Process Capability	Not reviewed for solder process capability
---------------------------	--

Product Compliance Disclaimer

This information is provided based on reasonable inquiry of our suppliers and represents our current actual knowledge based on the information they provided. This information is subject to change. The part numbers that TE has identified as EU RoHS compliant have a maximum concentration of 0.1% by weight in homogenous materials for lead, hexavalent chromium, mercury, PBB, PBDE, DBP, BBP, DEHP, DIBP, and 0.01% for cadmium, or qualify for an exemption to these limits as defined in the Annexes of Directive 2011/65/EU (RoHS2). Finished electrical and electronic equipment products will be CE marked as required by Directive 2011/65/EU. Components may not be CE marked. Additionally, the part numbers that TE has identified as EU ELV compliant have a maximum concentration of 0.1% by weight in homogenous materials for lead, hexavalent chromium, and mercury, and 0.01% for cadmium, or qualify for an exemption to these limits as defined in the Annexes of Directive 2000/53/EC (ELV). Regarding the REACH Regulations, TE's information on SVHC in articles for this part number is still based on the European Chemical Agency (ECHA) 'Guidance on requirements for

substances in articles' (Version: 2, April 2011), applying the 0.1% weight on weight concentration threshold at the finished product level. TE is aware of the European Court of Justice ruling of September 10th, 2015 also known as O5A (Once An Article Always An Article) stating that, in case of 'complex object', the threshold for a SVHC must be applied to both the product as a whole and simultaneously to each of the articles forming part of its composition. TE has evaluated this ruling based on the new ECHA "Guidance on requirements for substances in articles" (June 2017, version 4.0) and will be updating its statements accordingly.

Compatible Parts



TE Part # L000642-01
NFC ANT, 13.56MHZ, FERRITE, NFC, ROUND

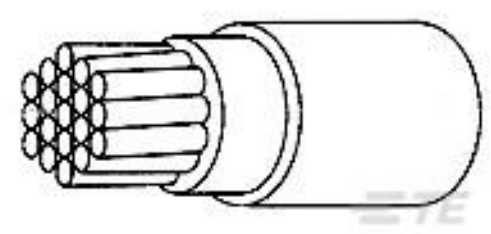


TE Part # L000641-01
COIL ANT, SMT, 13.56MHZ NFC



TE Part # L000643-01
FPC, ANT, 13.56MHZ, FERRITE, NFC, RECT

Customers Also Bought



TE Part #2214173001
100G0111-0.25-0



TE Part #L000642-01
NFC ANT, 13.56MHZ, FERRITE, NFC, ROUND



TE Part #1623107-1
CRG0805 1% 120R



TE Part #1623131-1
CRG0805 1% 1K0



TE Part #9-1879252-4
RP 2B 10R 0.1% 15PPM CUT LENGTH



TE Part #8-1879506-8
CRGH0603 1% 100K 0.2W



TE Part #2-2176307-1
RP 1E 0.1W 20K 0.1% 25PPM 5K RL



TE Part #4-2176326-9
CRGP 0603 100K 1%



TE Part #6-2176326-1
CRGP 0603 1M0 1%



TE Part #1-2176337-3
CRGCQ 0402 100R 1%

Documents

[Product Drawings](#)



NFC ANT, ACH(F) , 28AWG.

English

CAD Files

Customer View Model

[ENG_CVM_CVM_L000644-01_1.3d_igs.zip](#)

English

Customer View Model

[ENG_CVM_CVM_L000644-01_1.3d_stp.zip](#)

English

3D PDF

3D

Customer View Model

[ENG_CVM_CVM_L000644-01_1.2d_dxf.zip](#)

English

By downloading the CAD file I accept and agree to the [Terms and Conditions](#) of use.

Datasheets & Catalog Pages

[L000644](#)

English