



Antennas



Communication Protocol: **NFC**

Mounting Location: **Internal/Embedded**

Mounting Type: **Surface Mount**

Frequency Category: **0 – 50**

Antenna Type: **Coil**

Features

Product Type Features

Antenna Termination	SMD
Antenna Product Type	Antenna

Configuration Features

Antenna Style	Low Profile
Mounting Location	Internal/Embedded
Antenna Type	Coil
Band Type	Single Band
Port Configuration	Single Port

Electrical Characteristics

Antenna Operation	Passive
-------------------	---------

Signal Characteristics

Frequency Band	13.56 MHz
Frequency Category	0 – 50

Body Features

Antenna Weight	.85 g [.03 oz]
----------------	----------------



Mechanical Attachment

Mounting Type	Surface Mount
---------------	---------------

Dimensions

Product Width	7 mm[.275 in]
Product Length	7.8 mm[.307 in]
Product Height	5 mm[.196 in]

Operation/Application

Directionality	Omnidirectional
----------------	-----------------

Industry Standards

Communication Protocol	NFC
Primary Application	NFC

Product Availability

Applicable Region	Global
-------------------	--------

Packaging Features

Packaging Method	Bag & Box
------------------	-----------

Product Compliance

[For compliance documentation, visit the product page on TE.com>](#)

EU RoHS Directive 2011/65/EU	Compliant
EU ELV Directive 2000/53/EC	Not Yet Reviewed
China RoHS 2 Directive MIIT Order No 32, 2016	有害物质含量符合标准要求 No Restricted Substance(s) Above Threshold
EU REACH Regulation (EC) No. 1907/2006	Current ECHA Candidate List: JUNE 2025 (250) Candidate List Declared Against: JUNE 2025 (250) Does not contain REACH SVHC
Halogen Content	Low Halogen - Br, Cl, F < 900 ppm per homogenous material. Also BFR/CFR/PVC Free
Solder Process Capability	Not reviewed for solder process capability

Product Compliance Disclaimer

This information is provided based on reasonable inquiry of our suppliers and represents our current actual knowledge based on the information they provided. This information is subject to change. The part numbers that TE has identified as EU RoHS compliant have a maximum concentration of 0.1% by weight in homogenous materials for lead, hexavalent

chromium, mercury, PBB, PBDE, DBP, BBP, DEHP, DIBP, and 0.01% for cadmium, or qualify for an exemption to these limits as defined in the Annexes of Directive 2011/65/EU (RoHS2). Finished electrical and electronic equipment products will be CE marked as required by Directive 2011/65/EU. Components may not be CE marked. Additionally, the part numbers that TE has identified as EU ELV compliant have a maximum concentration of 0.1% by weight in homogenous materials for lead, hexavalent chromium, and mercury, and 0.01% for cadmium, or qualify for an exemption to these limits as defined in the Annexes of Directive 2000/53/EC (ELV). Regarding the REACH Regulations, TE's information on SVHC in articles for this part number is still based on the European Chemical Agency (ECHA) 'Guidance on requirements for substances in articles' (Version: 2, April 2011), applying the 0.1% weight on weight concentration threshold at the finished product level. TE is aware of the European Court of Justice ruling of September 10th, 2015 also known as O5A (Once An Article Always An Article) stating that, in case of 'complex object', the threshold for a SVHC must be applied to both the product as a whole and simultaneously to each of the articles forming part of its composition. TE has evaluated this ruling based on the new ECHA "Guidance on requirements for substances in articles" (June 2017, version 4.0) and will be updating its statements accordingly.

Compatible Parts



TE Part # L000644-01
NFC ANT, ACH(F), 28AWG.



TE Part # L000643-01
FPC, ANT, 13.56MHZ, FERRITE, NFC, RECT



TE Part # L000642-01
NFC ANT, 13.56MHZ, FERRITE, NFC, ROUND

Customers Also Bought



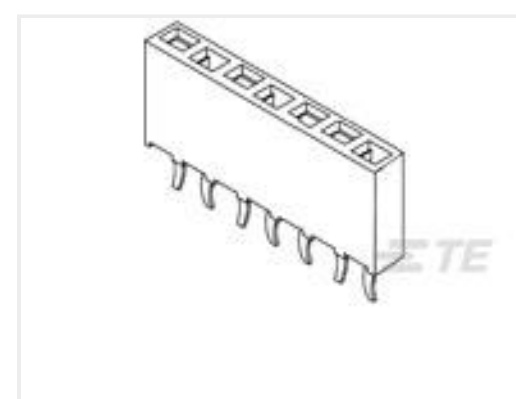
TE Part #L000642-01
NFC ANT, 13.56MHZ, FERRITE, NFC, ROUND



TE Part #L000643-01
FPC, ANT, 13.56MHZ, FERRITE, NFC, RECT



TE Part #103735-4
05 MTE HDR SRST LATCH .100CL



TE Part #1-215297-1
11P HV100 REC CON. TE, 7.0MM



TE Part #1055689-1
2367 5002 54, VERT PLUG



TE Part #2-1437621-4
KA700B1/4=KNOB BLACK 1/4 SHAFT



TE Part #1-2176406-0
3560 2R4 1%



TE Part #1-2186529-1
T2212-PRINTER-CUTTER



Documents

Product Drawings

[COIL ANT, SMT, 13.56MHZ NFC](#)

English

CAD Files

Customer View Model

[ENG_CVM_CVM_L000641-01_1.3d_igs.zip](#)

English

[3D PDF](#)

3D

Customer View Model

[ENG_CVM_CVM_L000641-01_1.2d_dxf.zip](#)

English

Customer View Model

[ENG_CVM_CVM_L000641-01_1.3d_stp.zip](#)

English

By downloading the CAD file I accept and agree to the [Terms and Conditions](#) of use.

Datasheets & Catalog Pages

[L000641](#)

English