



ALCOSWITCH

TE Internal #: 9-1437562-1

.4 A Toggle Switch, Single Pole - Double Throw Configuration (Pole-Throw), On Off On, 3 Position, 20 VDC, Board Mount, Vertical, Process Sealed

[View on TE.com >](#)

Switches > Toggle Switches



Configuration (Pole-Throw): **Single Pole - Double Throw**

Operating Function: **On Off On**

Number of Positions: **3**

Contact Current Rating: **.4 A**

Operating Voltage: **20 VDC**

Features

Product Type Features

Sealed Device	Yes
Toggle Style	Baton Long
Switch Type	Toggle Switch

Configuration Features

Configuration (Pole-Throw)	Single Pole - Double Throw
Operating Function	On Off On
Number of Positions	3

Electrical Characteristics

Dielectric Withstanding Voltage (Max)	1000 VAC
Insulation Resistance	1000 MΩ
Contact Current Rating	.4 A
Operating Voltage	20 VDC

Body Features

Product Orientation	Vertical
Bushing Style	Threaded
Bushing Thread Size	1/4-40

Contact Features

Contact Base Material	Gold
-----------------------	------

Switch Contact Plating Material

Gold over Nickel

Termination Features

Termination Method to PCB

Through Hole - Solder

Mechanical Attachment

Product Mount Type

Board Mount

Housing Features

Process Sealed

Yes

Dimensions

Toggle Length

10.4 mm[.41 in]

Industry Standards

UL Flammability Rating

UL 94V-0

Product Compliance

For compliance documentation, visit the product page on [TE.com](https://www.te.com)>

EU RoHS Directive 2011/65/EU

Compliant with Exemptions

EU ELV Directive 2000/53/EC

Compliant with Exemptions

China RoHS 2 Directive MIIT Order No 32, 2016

有害物质含量超出标准 Restricted Substance(s) Above Threshold

EU REACH Regulation (EC) No. 1907/2006

Current ECHA Candidate List: JUNE 2025 (250)

Candidate List Declared Against: JUNE 2025 (250)

SVHC > Threshold:

Pb (13% in Component)

Article Safe Usage Statements:

Do not eat, drink or smoke when using this product. Wash thoroughly after handling. Recycle if possible and dispose of the article by following all applicable governmental regulations relevant to your geographic location.

Halogen Content

Low Halogen - Br, Cl, F < 900 ppm per homogenous material. Also BFR/CFR/PVC Free

Solder Process Capability

Wave solder capable to 265°C

Product Compliance Disclaimer

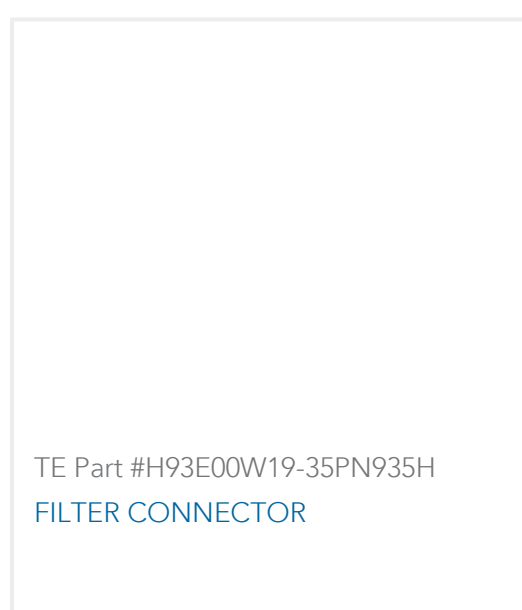
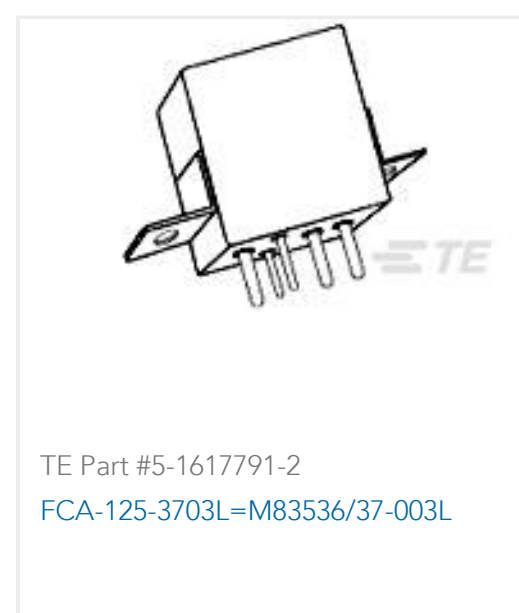
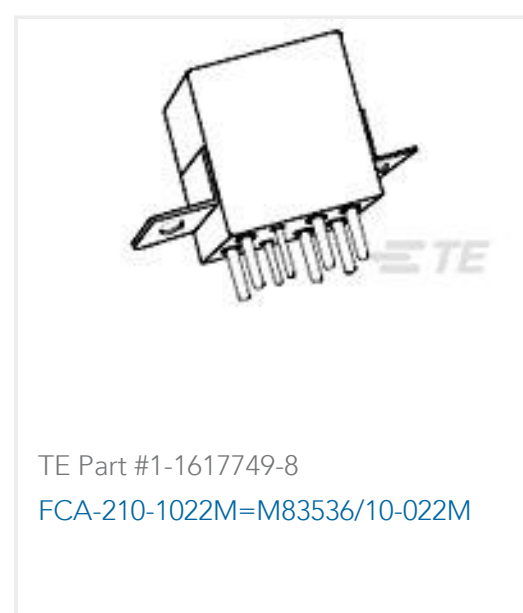
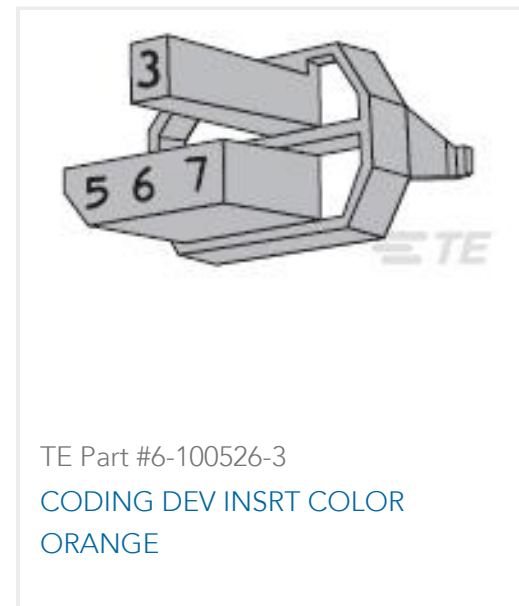
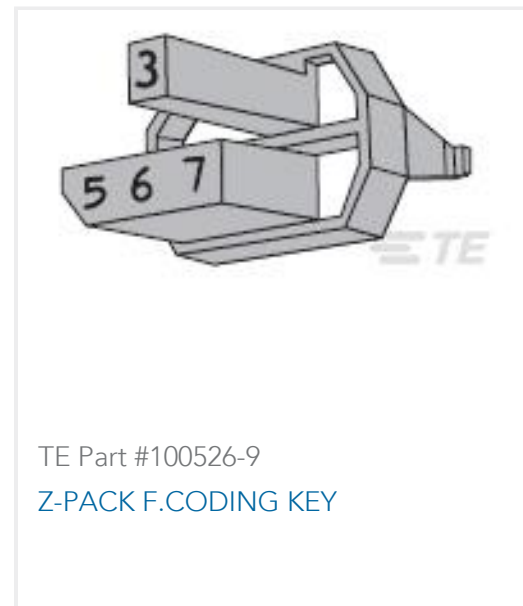
This information is provided based on reasonable inquiry of our suppliers and represents our current actual knowledge based on the information they provided. This information is subject to change. The part numbers that TE has identified as EU RoHS compliant have a maximum concentration of 0.1% by weight in homogenous materials for lead, hexavalent chromium, mercury, PBB, PBDE, DBP, BBP, DEHP, DIBP, and 0.01% for cadmium, or qualify for an exemption to these limits as defined in the Annexes of Directive 2011/65/EU (RoHS2). Finished electrical and electronic equipment products will be CE marked as required by Directive 2011/65/EU. Components may not be CE marked. Additionally, the part numbers that TE has identified as EU ELV compliant have a maximum concentration of 0.1% by weight in homogenous materials for lead, hexavalent chromium, and mercury, and 0.01% for cadmium, or qualify for an exemption to these limits

as defined in the Annexes of Directive 2000/53/EC (ELV). Regarding the REACH Regulations, TE's information on SVHC in articles for this part number is still based on the European Chemical Agency (ECHA) 'Guidance on requirements for substances in articles' (Version: 2, April 2011), applying the 0.1% weight on weight concentration threshold at the finished product level. TE is aware of the European Court of Justice ruling of September 10th, 2015 also known as O5A (Once An Article Always An Article) stating that, in case of 'complex object', the threshold for a SVHC must be applied to both the product as a whole and simultaneously to each of the articles forming part of its composition. TE has evaluated this ruling based on the new ECHA "Guidance on requirements for substances in articles" (June 2017, version 4.0) and will be updating its statements accordingly.

Compatible Parts



Customers Also Bought



Documents



CAD Files

3D PDF

3D

Customer View Model

[ENG_CVM_CVM_9-1437562-1_A_c-9-1437562-1-a.2d_dxf.zip](#)

English

Customer View Model

[ENG_CVM_CVM_9-1437562-1_A_c-9-1437562-1-a.3d_igs.zip](#)

English

Customer View Model

[ENG_CVM_CVM_9-1437562-1_A_c-9-1437562-1-a.3d_stp.zip](#)

English

By downloading the CAD file I accept and agree to the [Terms and Conditions](#) of use.

Datasheets & Catalog Pages

[SWITCHES_CORE_PROGRAM_CATALOG](#)

English