

# RT8121-50-8M6 ✓ ACTIVE

Schaffner | Schaffner RT-Series

TE Internal #: 823783-SF

300 VDC, 50 A, PCB Terminal, PD2 Pollution Degree, IP00,  
Horizontal, UL 94V-0, Board Mount, Schaffner RT-Series, EMC  
Chokes

[View on TE.com >](#)



EMI & EMC Solutions > EMC Chokes > EMC / RFI Chokes RT Series & RT Series N: High-Performance Chokes for Demanding Applications



Operating Voltage (Max): 300 VDC

Current Rating (Max): 50 A

Input Termination Type: PCB Terminal

Output Termination Type: PCB Terminal

Pollution Degree: PD2

[All EMC / RFI Chokes RT Series & RT Series N: High-Performance Chokes for Demanding Applications \(73\)](#)

## Features

### Product Type Features

Input Termination Type	PCB Terminal
Output Termination Type	PCB Terminal

### Electrical Characteristics

Overvoltage Category	III
Operating Voltage (Max)	300 VDC
Current Rating (Max)	50 A

### Body Features

Product Weight	280 g[9.87 oz]
Product Orientation	Horizontal

### Mechanical Attachment

Product Mount Type	Board Mount
--------------------	-------------

### Dimensions

Product Width	66 mm[2.59 in]
Product Length	66 mm[2.59 in]
Product Height	41 mm[1.61 in]

### Usage Conditions

Operating Temperature Range	-40 – 125 °C[-40 – 257 °F]
-----------------------------	----------------------------

### Operation/Application

Cooling Method	Natural Convection
Operating Altitude (Max)	2000 m

### Industry Standards

Certified To	UL/IEC 60938-1/-2, UL 1446
Pollution Degree	PD2
IP Rating	IP00
UL Flammability Rating	UL 94V-0

### Product Compliance

[For compliance documentation, visit the product page on TE.com>](#)

EU RoHS Directive 2011/65/EU	Compliant
EU ELV Directive 2000/53/EC	Not Yet Reviewed
China RoHS 2 Directive MIIT Order No 32, 2016	有害物质含量符合标准要求 No Restricted Substance(s) Above Threshold
EU REACH Regulation (EC) No. 1907/2006	Current ECHA Candidate List: JUNE 2025 (250) Not Yet Reviewed
Halogen Content	Not Yet Reviewed for halogen content
Solder Process Capability	Not reviewed for solder process capability

#### Product Compliance Disclaimer

This information is provided based on reasonable inquiry of our suppliers and represents our current actual knowledge based on the information they provided. This information is subject to change. The part numbers that TE has identified as EU RoHS compliant have a maximum concentration of 0.1% by weight in homogenous materials for lead, hexavalent chromium, mercury, PBB, PBDE, DBP, BBP, DEHP, DIBP, and 0.01% for cadmium, or qualify for an exemption to these limits as defined in the Annexes of Directive 2011/65/EU (RoHS2). Finished electrical and electronic equipment products will be CE marked as required by Directive 2011/65/EU. Components may not be CE marked. Additionally, the part numbers that TE has identified as EU ELV compliant have a maximum concentration of 0.1% by weight in homogenous materials for lead, hexavalent chromium, and mercury, and 0.01% for cadmium, or qualify for an exemption to these limits as defined in the Annexes of Directive 2000/53/EC (ELV). Regarding the REACH Regulations, TE's information on SVHC in articles for this part number is still based on the European Chemical Agency (ECHA) 'Guidance on requirements for substances in articles' (Version: 2, April 2011), applying the 0.1% weight on weight concentration threshold at the finished product level. TE is aware of the European Court of Justice ruling of September 10th, 2015 also known as O5A (Once An Article Always An Article) stating that, in case of 'complex object', the threshold for a SVHC must be applied to both the product as a whole and simultaneously to each of the articles forming part of its composition. TE has evaluated this ruling based on the new ECHA "Guidance on requirements for substances in articles" (June 2017, version 4.0) and will be updating its statements accordingly.

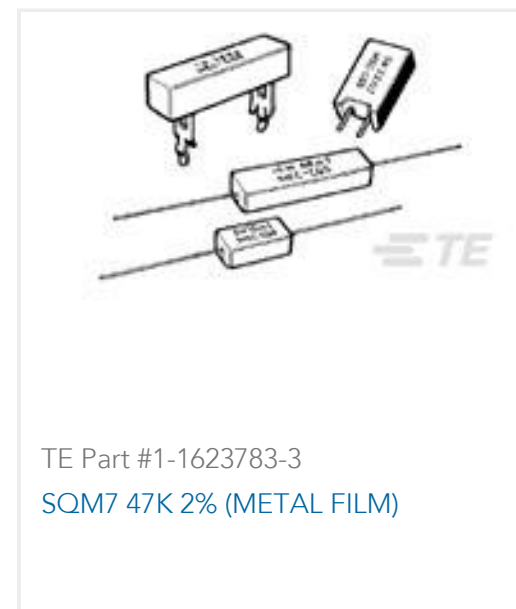
### Compatible Parts



### Also in the Series | Schaffner RT-Series



### Customers Also Bought



### Documents

[CAD Files](#)

[Customer View Model](#)

[ENG\\_CVM\\_CVM\\_823783-SF\\_C.3d\\_igs.zip](#)

English

[3D PDF](#)

3D



### Customer View Model

[ENG\\_CVM\\_CVM\\_823783-SF\\_C.3d\\_stp.zip](#)

English

### Customer View Model

[ENG\\_CVM\\_CVM\\_823783-SF\\_C.2d\\_dxf.zip](#)

English

By downloading the CAD file I accept and agree to the [Terms and Conditions](#) of use.

### Datasheets & Catalog Pages

[RFI Chokes RT Series N](#)

English