

FN3040-20-61-C21-R65 ✓ ACTIVE

Schaffner | Schaffner FN3040

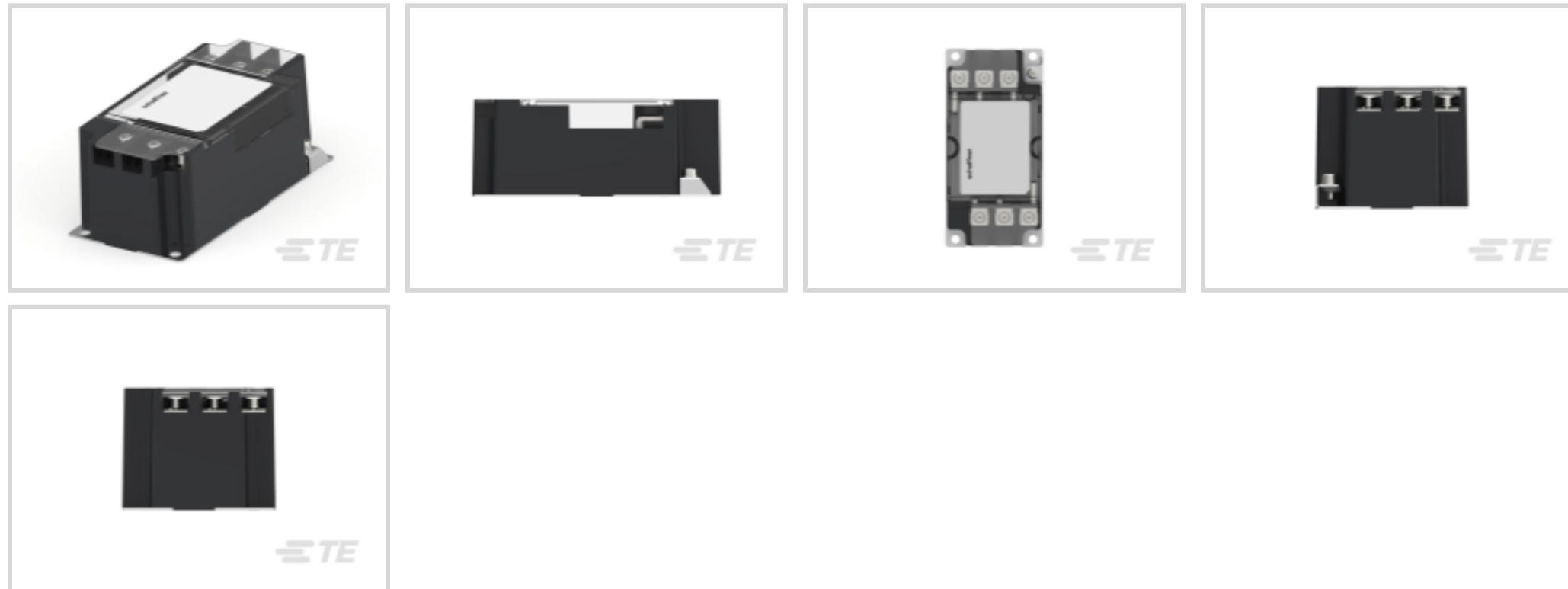
TE Internal #: 823536-SF

20 A 3-Phase Filter, Ring Terminal Input, Ring Terminal Output, DELTA (3 wire + ground), 530 VAC, Chassis Mount, Schaffner FN3040

[View on TE.com >](#)



EMI & EMC Solutions > EMC Filters > Power Line Filters > 3-Phase Filters > 3-Phase Filters, Low Leakage EMC Filter for High Reliability Applications



Current Rating: 20 A

Input Termination Type: Ring Terminal

Output Termination Type: Ring Terminal

Wiring Configuration: DELTA (3 wire + ground)

Operating Voltage: 530 VAC

[All 3-Phase Filters, Low Leakage EMC Filter for High Reliability Applications \(24\)](#)

Features

Product Type Features

Filtering Requirements	Unfiltered
Input Termination Type	Ring Terminal
Output Termination Type	Ring Terminal

Configuration Features

Wiring Configuration	DELTA (3 wire + ground)
----------------------	-------------------------

Electrical Characteristics

Leakage Current (Max) (250VAC, 50Hz)	.4 mA
Overvoltage Category	III
Current Rating	20 A
Operating Voltage	530 VAC

Body Features

Product Weight	.45 kg[.993 lb]
----------------	-----------------

Mechanical Attachment

Product Mount Type	Chassis Mount
--------------------	---------------

Dimensions

Product Width	63 mm[2.48 in]
Product Length	128 mm[5.03 in]
Product Height	50 mm[1.96 in]

Usage Conditions

Operating Temperature Range	-40 – 100 °C[-40 – 212 °F]
-----------------------------	----------------------------

Operation/Application

Cooling Method	Natural Convection
Operating Altitude (Max)	2000 m

Industry Standards

IP Rating	IP00
UL Flammability Rating	UL 94V-0
Pollution Degree	PD2
Certified To	CSA 22.2 No. 8-13, UL/IEC 60939-3

Product Compliance

[For compliance documentation, visit the product page on TE.com>](#)

EU RoHS Directive 2011/65/EU	Compliant
EU ELV Directive 2000/53/EC	Not Yet Reviewed
China RoHS 2 Directive MIIT Order No 32, 2016	有害物质含量符合标准要求 No Restricted Substance(s) Above Threshold
EU REACH Regulation (EC) No. 1907/2006	Current ECHA Candidate List: JUNE 2025 (250) Not Yet Reviewed
Halogen Content	Not Yet Reviewed for halogen content
Solder Process Capability	Not reviewed for solder process capability

Product Compliance Disclaimer

This information is provided based on reasonable inquiry of our suppliers and represents our current actual knowledge based on the information they provided. This information is subject to change. The part numbers that TE has identified as EU RoHS compliant have a maximum concentration of 0.1% by weight in homogenous materials for lead, hexavalent chromium, mercury, PBB, PBDE, DBP, BBP, DEHP, DIBP, and 0.01% for cadmium, or qualify for an exemption to these limits as defined in the Annexes of Directive 2011/65/EU (RoHS2). Finished electrical and electronic equipment products will be CE marked as required by Directive 2011/65/EU. Components may not be CE marked. Additionally, the part numbers that TE has identified as EU ELV compliant have a maximum concentration of 0.1% by weight in homogenous materials for lead, hexavalent chromium, and mercury, and 0.01% for cadmium, or qualify for an exemption to these limits



as defined in the Annexes of Directive 2000/53/EC (ELV). Regarding the REACH Regulations, TE's information on SVHC in articles for this part number is still based on the European Chemical Agency (ECHA) 'Guidance on requirements for substances in articles' (Version: 2, April 2011), applying the 0.1% weight on weight concentration threshold at the finished product level. TE is aware of the European Court of Justice ruling of September 10th, 2015 also known as O5A (Once An Article Always An Article) stating that, in case of 'complex object', the threshold for a SVHC must be applied to both the product as a whole and simultaneously to each of the articles forming part of its composition. TE has evaluated this ruling based on the new ECHA "Guidance on requirements for substances in articles" (June 2017, version 4.0) and will be updating its statements accordingly.

Compatible Parts

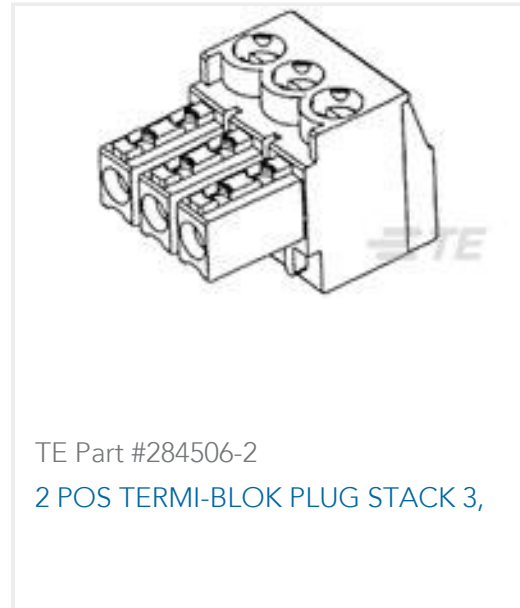


Also in the Series | Schaffner FN3040



Customers Also Bought





Documents

CAD Files

[3D PDF](#)

3D

Customer View Model

[ENG_CVM_CVM_823536-SF_F.3d_stp.zip](#)

English

Customer View Model

[ENG_CVM_CVM_823536-SF_F.3d_igs.zip](#)

English

Customer View Model

[ENG_CVM_CVM_823536-SF_F.2d_dxf.zip](#)

English

By downloading the CAD file I accept and agree to the [Terms and Conditions](#) of use.

Datasheets & Catalog Pages

[3-Phase Filters FN3040](#)

English

Agency Approvals

[CB SE-111921](#)

English