

FN3256H-8-29-R69 ✓ ACTIVE

Schaffner | Schaffner FN3256H

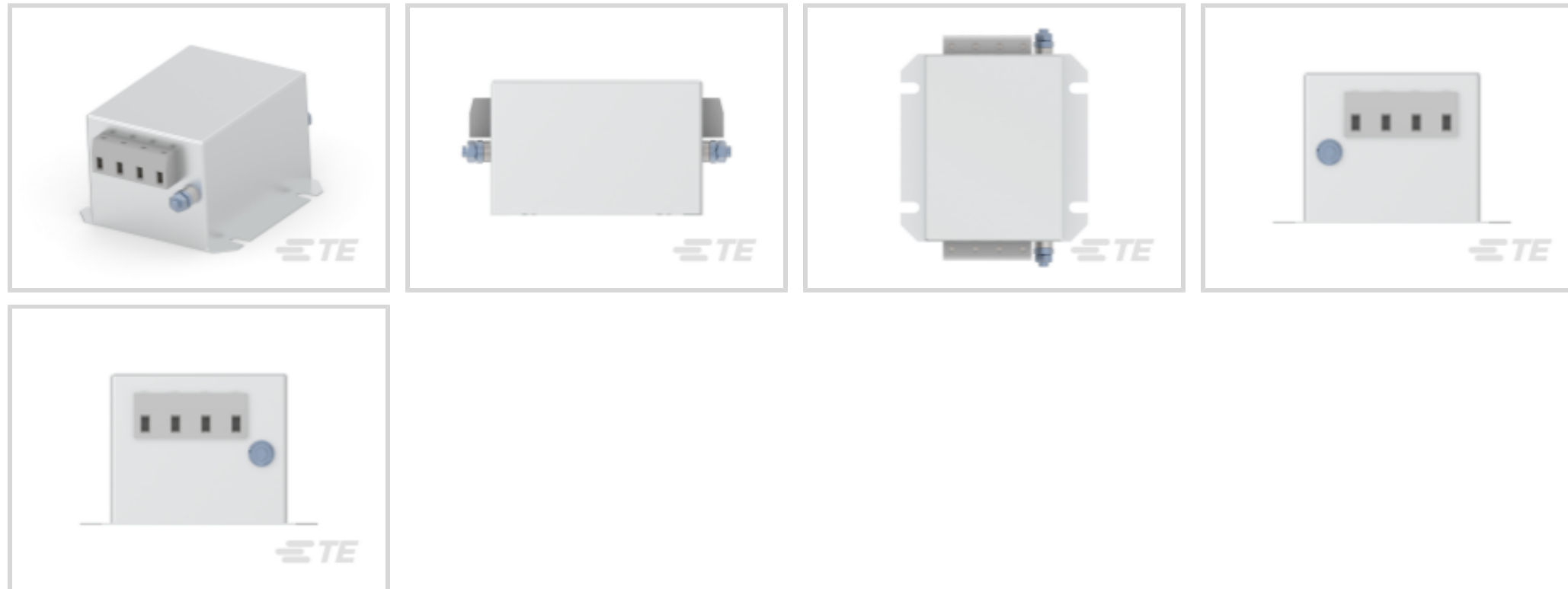
TE Internal #: 822036-SF

8 A 3-Phase Filter, Terminal Block Input, Terminal Block Output,
WYE (4 wire + ground), 520 VAC, Chassis Mount, Schaffner
FN3256H

[View on TE.com >](#)



EMI & EMC Solutions > EMC Filters > Power Line Filters > 3-Phase Filters > 3-Phase Filters, Compact Line Filter for Industrial Equipment



Current Rating: **8 A**

Input Termination Type: **Terminal Block**

Output Termination Type: **Terminal Block**

Wiring Configuration: **WYE (4 wire + ground)**

Operating Voltage: **520 VAC**

[All 3-Phase Filters, Compact Line Filter for Industrial Equipment \(18\)](#)

Features

Product Type Features

Filtering Requirements	Unfiltered
Input Termination Type	Terminal Block
Output Termination Type	Terminal Block

Configuration Features

Wiring Configuration	WYE (4 wire + ground)
----------------------	-----------------------

Electrical Characteristics

Leakage Current (Max) (250VAC, 50Hz)	.6 mA
Overvoltage Category	II
Current Rating	8 A
Operating Voltage	520 VAC

Body Features

Product Weight	.6 kg[1.323 lb]
----------------	-----------------



Mechanical Attachment

Product Mount Type	Chassis Mount
--------------------	---------------

Dimensions

Product Width	82 mm[3.22 in]
Product Length	120.9 mm[4.75 in]
Product Height	70 mm[2.75 in]

Usage Conditions

Operating Temperature Range	-25 – 100 °C[-13 – 212 °F]
-----------------------------	----------------------------

Operation/Application

Cooling Method	Natural Convection
----------------	--------------------

Industry Standards

IP Rating	IP20
UL Flammability Rating	UL 94V-2
Pollution Degree	PD2
Certified To	CSA 22.2 No. 8 1986, IEC/EN 60939, UL 1283

Product Compliance

[For compliance documentation, visit the product page on TE.com>](#)

EU RoHS Directive 2011/65/EU	Compliant with Exemptions
EU ELV Directive 2000/53/EC	Not Yet Reviewed
China RoHS 2 Directive MIIT Order No 32, 2016	未针对中国 RoHS 符合性进行审核 Not reviewed for China RoHS compliance
EU REACH Regulation (EC) No. 1907/2006	<p>Current ECHA Candidate List: JUNE 2025 (250)</p> <p>Candidate List Declared Against: JUNE 2025 (250)</p> <p>SVHC > Threshold:</p> <p>1-BUTANESULFONIC ACID, 1,1,2,2,3,3,4,4,4-NONAFLUORO-, POTASSIUM SALT (1:1) (.6% in Component Part)</p> <p>UV-326 (.4% in Component Part)</p> <p>UV-329 (.6% in Component Part)</p> <p>Triphenyl phosphate (TPP) (.5% in Component Part)</p> <p>Article Safe Usage Statements: Do not eat, drink or smoke when using this product. Wash thoroughly after handling. Do not handle until all safety precautions have been read and understood. Recycle if possible and dispose of the article by following all applicable governmental regulations relevant to your geographic location.</p>



Halogen Content	Not Yet Reviewed for halogen content
Solder Process Capability	Not reviewed for solder process capability

Product Compliance Disclaimer

This information is provided based on reasonable inquiry of our suppliers and represents our current actual knowledge based on the information they provided. This information is subject to change. The part numbers that TE has identified as EU RoHS compliant have a maximum concentration of 0.1% by weight in homogenous materials for lead, hexavalent chromium, mercury, PBB, PBDE, DBP, BBP, DEHP, DIBP, and 0.01% for cadmium, or qualify for an exemption to these limits as defined in the Annexes of Directive 2011/65/EU (RoHS2). Finished electrical and electronic equipment products will be CE marked as required by Directive 2011/65/EU. Components may not be CE marked. Additionally, the part numbers that TE has identified as EU ELV compliant have a maximum concentration of 0.1% by weight in homogenous materials for lead, hexavalent chromium, and mercury, and 0.01% for cadmium, or qualify for an exemption to these limits as defined in the Annexes of Directive 2000/53/EC (ELV). Regarding the REACH Regulations, TE's information on SVHC in articles for this part number is still based on the European Chemical Agency (ECHA) 'Guidance on requirements for substances in articles' (Version: 2, April 2011), applying the 0.1% weight on weight concentration threshold at the finished product level. TE is aware of the European Court of Justice ruling of September 10th, 2015 also known as O5A (Once An Article Always An Article) stating that, in case of 'complex object', the threshold for a SVHC must be applied to both the product as a whole and simultaneously to each of the articles forming part of its composition. TE has evaluated this ruling based on the new ECHA "Guidance on requirements for substances in articles" (June 2017, version 4.0) and will be updating its statements accordingly.

Compatible Parts

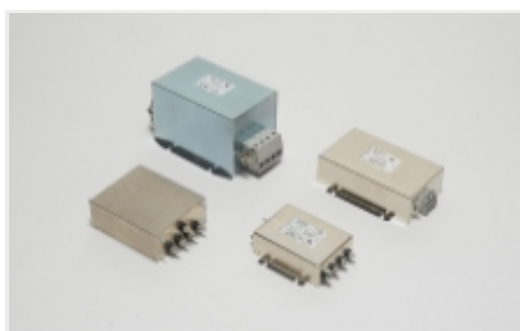


TE Part # CAT-PA0-F3297
SCHAFFNER FN3297 3-PHASE+N
FILTER SERIES



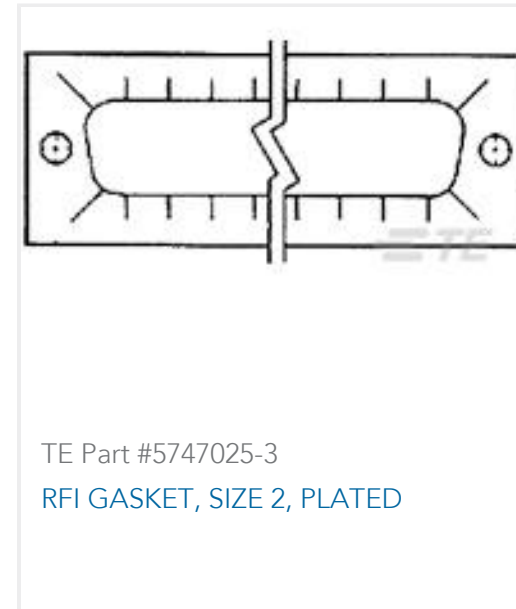
TE Part # 810313-SF
FN3268-7-44

Also in the Series | Schaffner FN3256H



3-Phase Filters(18)

Customers Also Bought



Documents

CAD Files

Customer View Model

[ENG_CVM_CVM_822036-SF_B.3d_stp.zip](#)

English

3D PDF

3D

Customer View Model

[ENG_CVM_CVM_822036-SF_B.2d_dxf.zip](#)

English

Customer View Model

[ENG_CVM_CVM_822036-SF_B.3d_igs.zip](#)

English

By downloading the CAD file I accept and agree to the [Terms and Conditions](#) of use.

Datasheets & Catalog Pages

3-Phase Filters with Neutral FN3256

English

Agency Approvals

Intertek SE-ENEC-2300504R3

English