



Schaffner | Schaffner FN2415

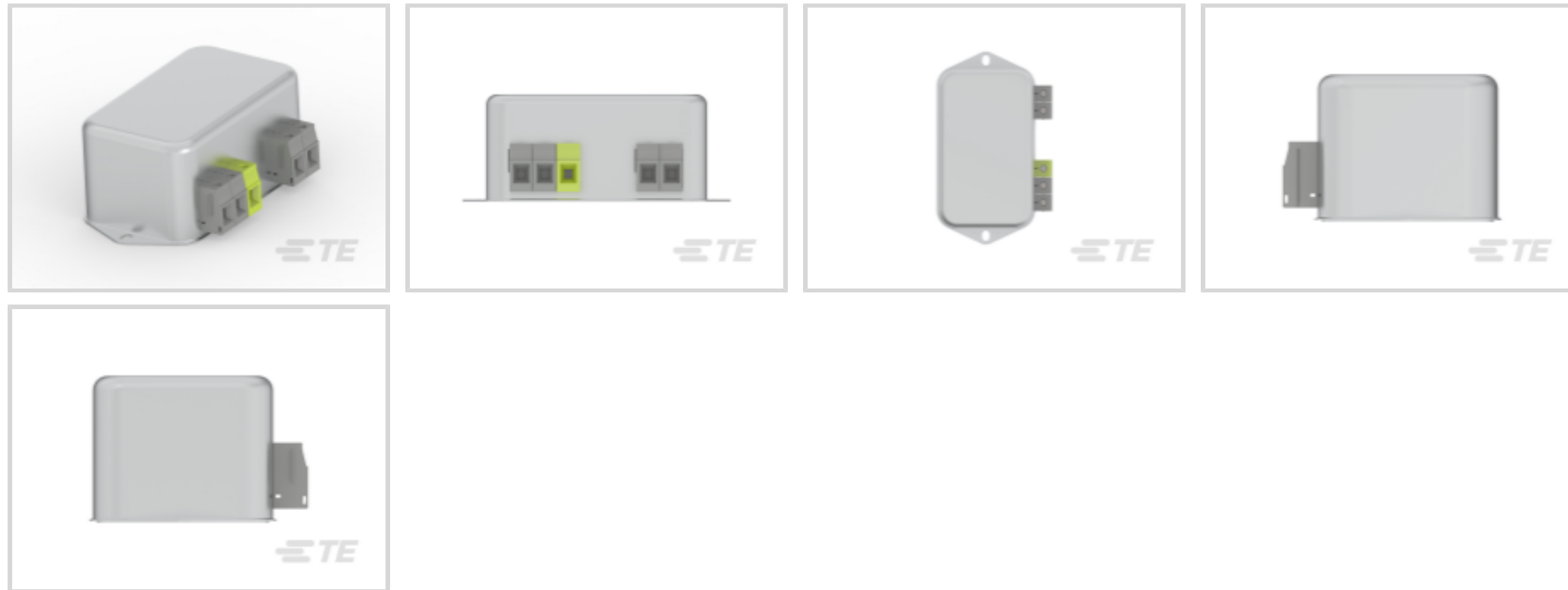
TE Internal #: 822009-SF

16 A Single Phase Filter, Terminal Block Input, Terminal Block Output, 250 VAC, Schaffner FN2415, Single Phase Filters

[View on TE.com >](#)

EMI & EMC Solutions > EMC Filters > Power Line Filters > Single Phase Filters >

High Performance Filters FN2415, Single Phase EMC Filter for Control Equipment



Current Rating: **16 A**

Input Termination Type: **Terminal Block**

Output Termination Type: **Terminal Block**

Leakage Current (Max) (120VAC, 60Hz): **0 mA**

Leakage Current (Max) (250VAC, 50Hz): **0 mA**

[All High Performance Filters FN2415, Single Phase EMC Filter for Control Equipment \(9\)](#)

Features

Product Type Features

Filtering Requirements	Unfiltered
Input Termination Type	Terminal Block
Output Termination Type	Terminal Block

Electrical Characteristics

Inductance L1	3 μ H
Capacitance Cx1	3.3
Overvoltage Category	II
Current Rating	16 A
Leakage Current (Max) (120VAC, 60Hz)	0 mA
Leakage Current (Max) (250VAC, 50Hz)	0 mA
Operating Voltage	250 VAC

Body Features



Product Weight	.4 kg[.882 lb]
----------------	----------------

Mechanical Attachment

Product Mount Type	Chassis Mount
--------------------	---------------

Dimensions

Product Width	58 mm[2.28 in]
Product Length	113.5 mm[4.46 in]
Product Height	45.4 mm[1.78 in]

Usage Conditions

Operating Temperature Range	-25 – 100 °C[-13 – 212 °F]
-----------------------------	----------------------------

Operation/Application

Cooling Method	Natural Convection
----------------	--------------------

Industry Standards

IP Rating	IP20
UL Flammability Rating	UL 94V-2
Pollution Degree	PD2
Certified To	CSA 22.2 No. 8 1986, IEC/EN 60939, UL 1283

Product Compliance

[For compliance documentation, visit the product page on TE.com>](#)

EU RoHS Directive 2011/65/EU	Compliant with Exemptions
EU ELV Directive 2000/53/EC	Not Yet Reviewed
China RoHS 2 Directive MIIT Order No 32, 2016	未针对中国 RoHS 符合性进行审核 Not reviewed for China RoHS compliance
EU REACH Regulation (EC) No. 1907/2006	Current ECHA Candidate List: JUNE 2025 (250) Candidate List Declared Against: JUNE 2025 (250) SVHC > Threshold: 1-BUTANESULFONIC ACID, 1,1,2,2,3,3,4,4,4-NONAFLUORO-, POTASSIUM SALT (1:1) (.6% in Component Part) <small>Article Safe Usage Statements: Do not eat, drink or smoke when using this product. Wash thoroughly after handling. Recycle if possible and dispose of the article by following all applicable governmental regulations relevant to your geographic location.</small>
Halogen Content	Not Yet Reviewed for halogen content
Solder Process Capability	Not reviewed for solder process capability



Product Compliance Disclaimer

This information is provided based on reasonable inquiry of our suppliers and represents our current actual knowledge based on the information they provided. This information is subject to change. The part numbers that TE has identified as EU RoHS compliant have a maximum concentration of 0.1% by weight in homogenous materials for lead, hexavalent chromium, mercury, PBB, PBDE, DBP, BBP, DEHP, DIBP, and 0.01% for cadmium, or qualify for an exemption to these limits as defined in the Annexes of Directive 2011/65/EU (RoHS2). Finished electrical and electronic equipment products will be CE marked as required by Directive 2011/65/EU. Components may not be CE marked. Additionally, the part numbers that TE has identified as EU ELV compliant have a maximum concentration of 0.1% by weight in homogenous materials for lead, hexavalent chromium, and mercury, and 0.01% for cadmium, or qualify for an exemption to these limits as defined in the Annexes of Directive 2000/53/EC (ELV). Regarding the REACH Regulations, TE's information on SVHC in articles for this part number is still based on the European Chemical Agency (ECHA) 'Guidance on requirements for substances in articles' (Version: 2, April 2011), applying the 0.1% weight on weight concentration threshold at the finished product level. TE is aware of the European Court of Justice ruling of September 10th, 2015 also known as O5A (Once An Article Always An Article) stating that, in case of 'complex object', the threshold for a SVHC must be applied to both the product as a whole and simultaneously to each of the articles forming part of its composition. TE has evaluated this ruling based on the new ECHA "Guidance on requirements for substances in articles" (June 2017, version 4.0) and will be updating its statements accordingly.

Compatible Parts




TE Part # CAT-P97-F2415
High Performance Filters FN2415,
Single Phase EMC Filter for Control
Equipment

Also in the Series | Schaffner FN2415



Medical Single Phase Filters(3)



Single Phase Filters(9)

Customers Also Bought



TE Part #802565-SF
FN3025HL-50-72



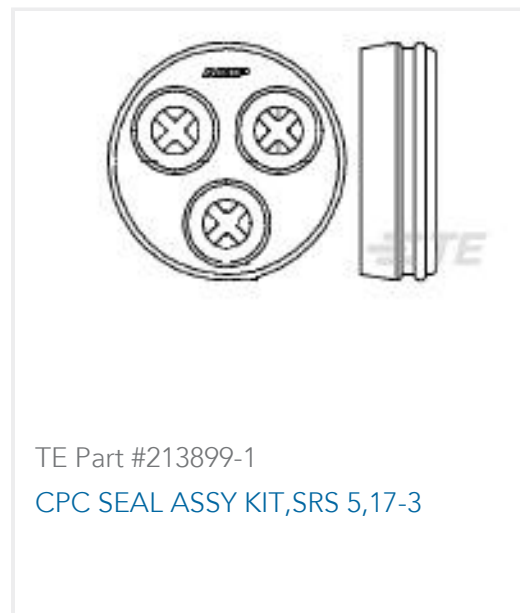
TE Part #816569-SF
RN222-4-02-3M3



TE Part #822008-SF
FN2415B-10-29



TE Part #213841-1
POWERBAND CONT ASSY,SILVER PLT



Documents

CAD Files

Customer View Model

[ENG_CVM_CVM_822009-SF_C.2d_dxf.zip](#)

English

Customer View Model

[ENG_CVM_CVM_822009-SF_C.3d_stp.zip](#)

English

3D PDF

3D

Customer View Model

[ENG_CVM_CVM_822009-SF_C.3d_igs.zip](#)

English

By downloading the CAD file I accept and agree to the [Terms and Conditions](#) of use.

Datasheets & Catalog Pages

[High Performance Single-Phase Filters FN2415](#)

English

Agency Approvals

[UL](#)

English