



Schaffner | Schaffner FN3288

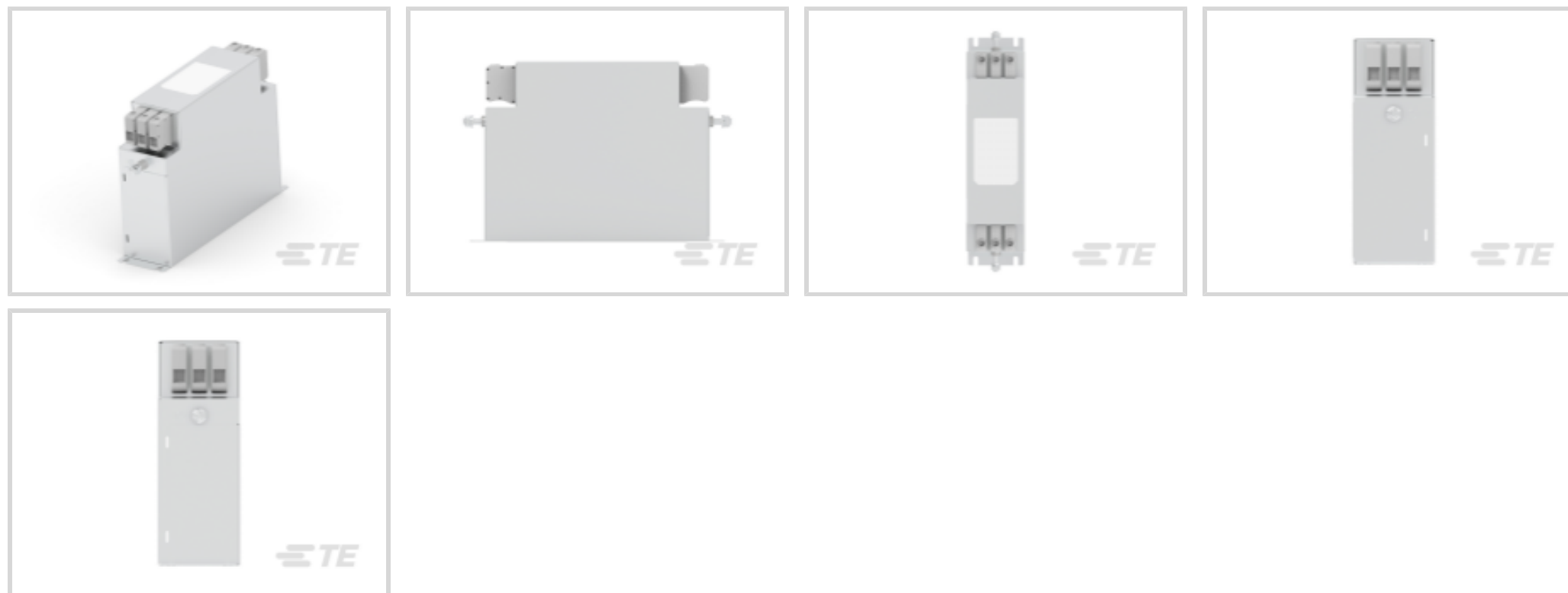
TE Internal #: 820827-SF

63 A 3-Phase Filter, Terminal Block Input, Terminal Block Output, DELTA (3 wire + ground), 530 VAC, Chassis Mount, Schaffner FN3288

[View on TE.com >](#)

EMI & EMC Solutions > EMC Filters > Power Line Filters > 3-Phase Filters >

3-Phase Filters, FN3288 Compact High-Performance EMC/RFI Filter for Inverters and Drive Systems



Current Rating: **63 A**

Input Termination Type: **Terminal Block**

Output Termination Type: **Terminal Block**

Wiring Configuration: **DELTA (3 wire + ground)**

Operating Voltage: **530 VAC**

[All 3-Phase Filters, FN3288 Compact High-Performance EMC/RFI Filter for Inverters and Drive Systems \(112\)](#)

Features

Product Type Features

Filtering Requirements	Unfiltered
Input Termination Type	Terminal Block
Output Termination Type	Terminal Block

Configuration Features

Wiring Configuration	DELTA (3 wire + ground)
----------------------	-------------------------

Electrical Characteristics

Leakage Current (Max) (250VAC, 50Hz)	.1 mA
Overvoltage Category	III
Current Rating	63 A
Operating Voltage	530 VAC

Body Features

--	--



Product Weight	2.7 kg[5.953 lb]
----------------	------------------

Mechanical Attachment

Product Mount Type	Chassis Mount
--------------------	---------------

Dimensions

Product Width	65 mm[2.55 in]
---------------	----------------

Product Length	255 mm[10.03 in]
----------------	------------------

Product Height	180 mm[7.08 in]
----------------	-----------------

Usage Conditions

Operating Temperature Range	-40 – 100 °C[-40 – 212 °F]
-----------------------------	----------------------------

Operation/Application

Cooling Method	Natural Convection
----------------	--------------------

Industry Standards

IP Rating	IP20
-----------	------

UL Flammability Rating	UL 94V-0
------------------------	----------

Pollution Degree	PD3
------------------	-----

Certified To	IEC 60939-3, UL 60939-3
--------------	-------------------------

Product Compliance

[For compliance documentation, visit the product page on TE.com>](#)

EU RoHS Directive 2011/65/EU	Compliant with Exemptions
------------------------------	---------------------------

EU ELV Directive 2000/53/EC	Not Yet Reviewed
-----------------------------	------------------

China RoHS 2 Directive MIIT Order No 32, 2016	未针对中国 RoHS 符合性进行审核 Not reviewed for China RoHS compliance
---	---

EU REACH Regulation (EC) No. 1907/2006	Current ECHA Candidate List: JUNE 2025 (250) Candidate List Declared Against: JUNE 2025 (250) SVHC > Threshold: 4,4'-isopropylidenediphenol (Bisphenol A) (5% in Component)
--	--

Article Safe Usage Statements:

Do not eat, drink or smoke when using this product. Wash thoroughly after handling. Recycle if possible and dispose of the article by following all applicable governmental regulations relevant to your geographic location.

Halogen Content	Not Yet Reviewed for halogen content
-----------------	--------------------------------------

Solder Process Capability	Not reviewed for solder process capability
---------------------------	--

Product Compliance Disclaimer



This information is provided based on reasonable inquiry of our suppliers and represents our current actual knowledge based on the information they provided. This information is subject to change. The part numbers that TE has identified as EU RoHS compliant have a maximum concentration of 0.1% by weight in homogenous materials for lead, hexavalent chromium, mercury, PBB, PBDE, DBP, BBP, DEHP, DIBP, and 0.01% for cadmium, or qualify for an exemption to these limits as defined in the Annexes of Directive 2011/65/EU (RoHS2). Finished electrical and electronic equipment products will be CE marked as required by Directive 2011/65/EU. Components may not be CE marked. Additionally, the part numbers that TE has identified as EU ELV compliant have a maximum concentration of 0.1% by weight in homogenous materials for lead, hexavalent chromium, and mercury, and 0.01% for cadmium, or qualify for an exemption to these limits as defined in the Annexes of Directive 2000/53/EC (ELV). Regarding the REACH Regulations, TE's information on SVHC in articles for this part number is still based on the European Chemical Agency (ECHA) 'Guidance on requirements for substances in articles' (Version: 2, April 2011), applying the 0.1% weight on weight concentration threshold at the finished product level. TE is aware of the European Court of Justice ruling of September 10th, 2015 also known as O5A (Once An Article Always An Article) stating that, in case of 'complex object', the threshold for a SVHC must be applied to both the product as a whole and simultaneously to each of the articles forming part of its composition. TE has evaluated this ruling based on the new ECHA "Guidance on requirements for substances in articles" (June 2017, version 4.0) and will be updating its statements accordingly.

Compatible Parts



TE Part # CAT-P99-F3288
3-Phase Filters, FN3288 Compact High-Performance EMC/RFI Filter for Inverters and Drive Systems

Also in the Series | Schaffner FN3288



3-Phase Filters(112)

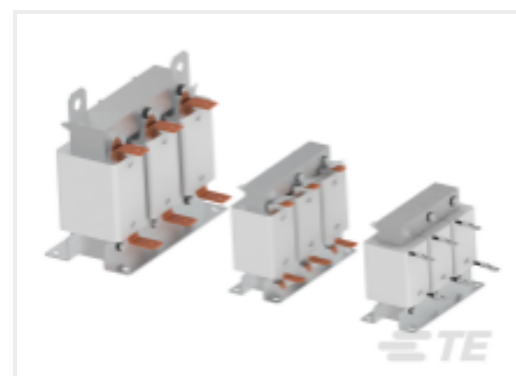
Customers Also Bought



TE Part #806145-SF
FN3270H-600-99



TE Part #814563-SF
FN2030B-20-08



TE Part #CAT-PE4-R3044
RWK3044 3-Phase Line Reactor – Effective Reduction of Mains Disturbances at 400 V



TE Part #806165-SF
FN3120H-110-35



Documents

Product Drawings

[FN3288-63-53-C17-R65](#)

English

CAD Files

Customer View Model

[ENG_CVM_CVM_820827-SF_P.3d_stp.zip](#)

English

Customer View Model

[ENG_CVM_CVM_820827-SF_P.2d_dxf.zip](#)

English

Customer View Model

[ENG_CVM_CVM_820827-SF_P.3d_igs.zip](#)

English

3D PDF

3D

By downloading the CAD file I accept and agree to the [Terms and Conditions](#) of use.

Datasheets & Catalog Pages

[3-Phase Filters FN3288](#)

English

Agency Approvals

[CB SE-108611](#)

English