

RC212-0.7-4M7 ✓ ACTIVE

Schaffner | Schaffner RC-Series

TE Internal #: 819709-SF

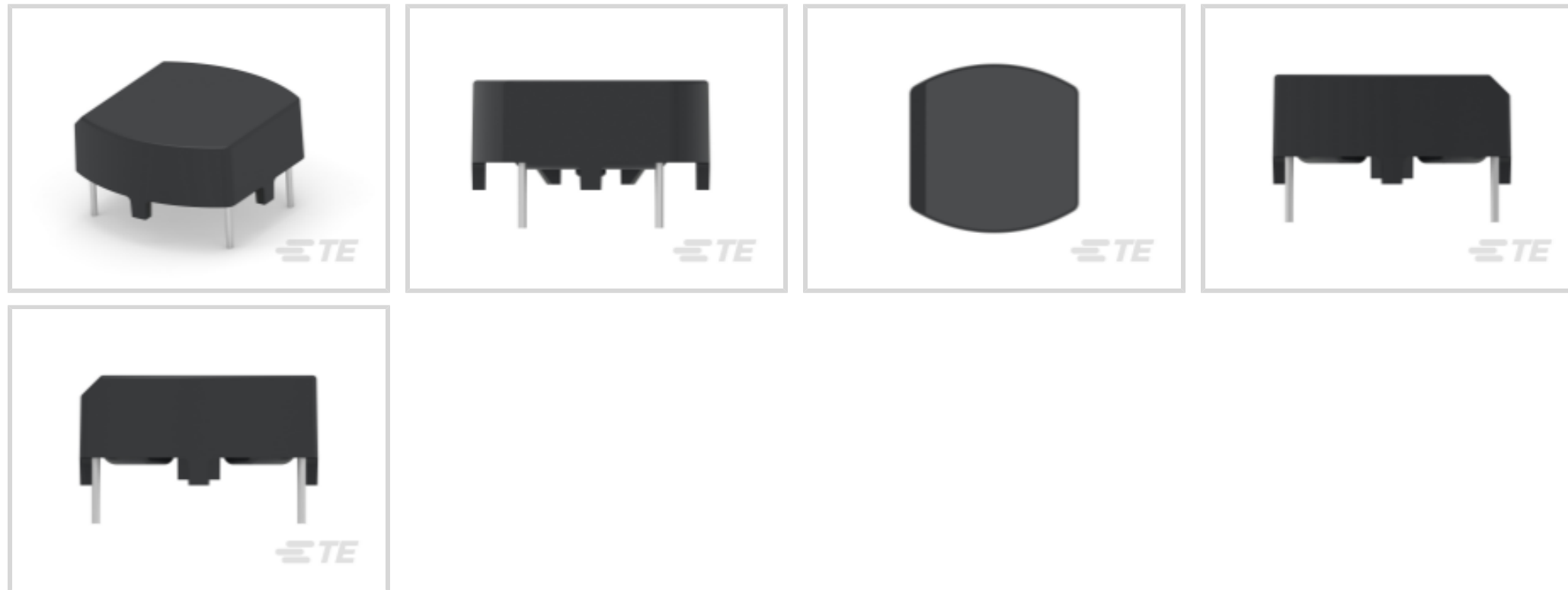
250 VDC, .7 A, PCB Terminal, PD2 Pollution Degree, IP00, Vertical,

UL 94V-0, Board Mount, Schaffner RC-Series, EMC Chokes

[View on TE.com >](#)



EMI & EMC Solutions > EMC Chokes > EMC/RFI Chokes RB Series: Current-Compensated Chokes for High-Performance Filtering



Operating Voltage (Max): 250 VDC

Current Rating (Max): .7 A

Input Termination Type: PCB Terminal

Output Termination Type: PCB Terminal

Pollution Degree: PD2

[All EMC/RFI Chokes RB Series: Current-Compensated Chokes for High-Performance Filtering \(14\)](#)

Features

Product Type Features

Input Termination Type	PCB Terminal
Output Termination Type	PCB Terminal

Electrical Characteristics

Overvoltage Category	II
Operating Voltage (Max)	250 VDC
Current Rating (Max)	.7 A

Body Features

Product Weight	3 g [.106 oz]
Product Orientation	Vertical

Mechanical Attachment

Product Mount Type	Board Mount
--------------------	-------------

Dimensions

Product Width	7.4 mm [.29 in]
---------------	-----------------

Product Length	15.3 mm[.6 in]
----------------	----------------

Product Height	17.6 mm[.69 in]
----------------	-----------------

Usage Conditions

Operating Temperature Range	-40 – 125 °C[-40 – 257 °F]
-----------------------------	----------------------------

Operation/Application

Cooling Method	Natural Convection
----------------	--------------------

Industry Standards

Certified To	IEC/EN 60938-2
--------------	----------------

Pollution Degree	PD2
------------------	-----

IP Rating	IP00
-----------	------

UL Flammability Rating	UL 94V-0
------------------------	----------

Product Compliance

[For compliance documentation, visit the product page on TE.com>](#)

EU RoHS Directive 2011/65/EU	Compliant
------------------------------	-----------

EU ELV Directive 2000/53/EC	Not Yet Reviewed
-----------------------------	------------------

China RoHS 2 Directive MIIT Order No 32, 2016	有害物质含量符合标准要求 No Restricted Substance(s) Above Threshold
---	---

EU REACH Regulation (EC) No. 1907/2006	Current ECHA Candidate List: JUNE 2025 (250) Candidate List Declared Against: JUNE 2025 (250) Does not contain REACH SVHC
--	---

Halogen Content	Not Yet Reviewed for halogen content
-----------------	--------------------------------------

Solder Process Capability	Not reviewed for solder process capability
---------------------------	--

Product Compliance Disclaimer

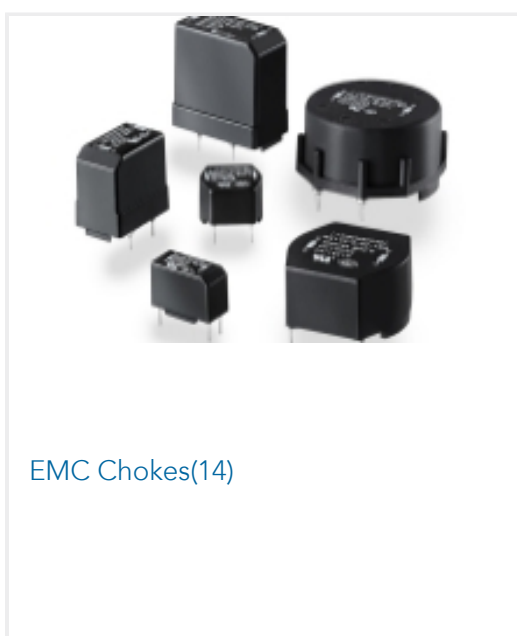
This information is provided based on reasonable inquiry of our suppliers and represents our current actual knowledge based on the information they provided. This information is subject to change. The part numbers that TE has identified as EU RoHS compliant have a maximum concentration of 0.1% by weight in homogenous materials for lead, hexavalent chromium, mercury, PBB, PBDE, DBP, BBP, DEHP, DIBP, and 0.01% for cadmium, or qualify for an exemption to these limits as defined in the Annexes of Directive 2011/65/EU (RoHS2). Finished electrical and electronic equipment products will be CE marked as required by Directive 2011/65/EU. Components may not be CE marked. Additionally, the part numbers that TE has identified as EU ELV compliant have a maximum concentration of 0.1% by weight in homogenous materials for lead, hexavalent chromium, and mercury, and 0.01% for cadmium, or qualify for an exemption to these limits as defined in the Annexes of Directive 2000/53/EC (ELV). Regarding the REACH Regulations, TE's information on SVHC in articles for this part number is still based on the European Chemical Agency (ECHA) 'Guidance on requirements for substances in articles' (Version: 2, April 2011), applying the 0.1% weight on weight concentration threshold at the finished product level. TE is aware of the European Court of Justice ruling of September 10th, 2015 also known as O5A (Once An Article Always An Article) stating that, in case of 'complex object', the threshold for a SVHC must be applied to both the

product as a whole and simultaneously to each of the articles forming part of its composition. TE has evaluated this ruling based on the new ECHA "Guidance on requirements for substances in articles" (June 2017, version 4.0) and will be updating its statements accordingly.

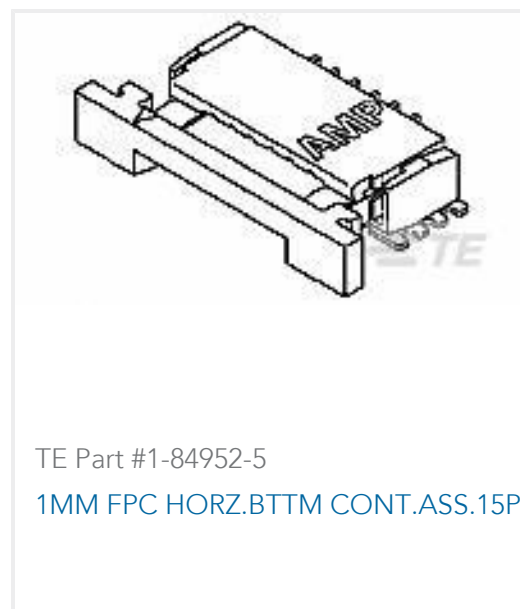
Compatible Parts



Also in the Series | Schaffner RC-Series



Customers Also Bought





Documents

CAD Files

[3D PDF](#)

3D

Customer View Model

[ENG_CVM_CVM_819709-SF_C.2d_dxf.zip](#)

English

Customer View Model

[ENG_CVM_CVM_819709-SF_C.3d_igs.zip](#)

English

Customer View Model

[ENG_CVM_CVM_819709-SF_C.3d_stp.zip](#)

English

By downloading the CAD file I accept and agree to the [Terms and Conditions](#) of use.

Datasheets & Catalog Pages

[RFI Chokes RC series](#)

English

Agency Approvals

[VDE Certificate](#)

English