



EMI & EMC Solutions > EMC Filters > Power Line Filters > Single Phase Filters >

High Performance Single Phase Filters FN2030, General Purpose AC/DC EMC/RFI Filter with High Attenuation Performance



Current Rating: **6 A**

Input Termination Type: **FASTON**

Output Termination Type: **FASTON**

Leakage Current (Max) (120VAC, 60Hz): **2.28 mA**

Leakage Current (Max) (250VAC, 50Hz): **3.4 mA**

[All High Performance Single Phase Filters FN2030, General Purpose AC/DC EMC/RFI Filter with High Attenuation Performance \(85\)](#)

Features

Product Type Features

Filtering Requirements	Unfiltered
Input Termination Type	FASTON
Output Termination Type	FASTON

Electrical Characteristics

Capacitance Cy1	47
Inductance L1	8 μ H
Capacitance Cx1	.47
Overvoltage Category	II
Current Rating	6 A
Leakage Current (Max) (120VAC, 60Hz)	2.28 mA
Leakage Current (Max) (250VAC, 50Hz)	3.4 mA
Operating Voltage	250 VAC

Body Features

Product Weight	.12 kg[.265 lb]
----------------	-----------------

Mechanical Attachment

Product Mount Type	Chassis Mount
--------------------	---------------

Dimensions

Product Width	44.5 mm[1.75 in]
Product Length	50.5 mm[1.98 in]
Product Height	22.3 mm[.87 in]

Usage Conditions

Operating Temperature Range	-25 – 100 °C[-13 – 212 °F]
-----------------------------	----------------------------

Operation/Application

Cooling Method	Natural Convection
Operating Altitude (Max)	2000 m

Industry Standards

IP Rating	IP00
UL Flammability Rating	UL 94V-0
Pollution Degree	PD2
Certified To	CSA 22.2 No. 8 1986, IEC/EN 60939, UL 1283

Product Compliance

[For compliance documentation, visit the product page on TE.com>](#)

EU RoHS Directive 2011/65/EU	Compliant with Exemptions
EU ELV Directive 2000/53/EC	Not Yet Reviewed
China RoHS 2 Directive MIIT Order No 32, 2016	未针对中国 RoHS 符合性进行审核 Not reviewed for China RoHS compliance
EU REACH Regulation (EC) No. 1907/2006	Current ECHA Candidate List: JUNE 2025 (250) Candidate List Declared Against: JUNE 2025 (250) Does not contain REACH SVHC
Halogen Content	Not Yet Reviewed for halogen content
Solder Process Capability	Not reviewed for solder process capability

Product Compliance Disclaimer

This information is provided based on reasonable inquiry of our suppliers and represents our current actual knowledge based on the information they provided. This information is subject to change. The part numbers that TE has identified as EU RoHS compliant have a maximum concentration of 0.1% by weight in homogenous materials for lead, hexavalent chromium, mercury, PBB, PBDE, DBP, BBP, DEHP, DIBP, and 0.01% for cadmium, or qualify for an exemption to these limits as defined in the Annexes of Directive 2011/65/EU (RoHS2). Finished electrical and electronic equipment products will be CE marked as required by Directive 2011/65/EU. Components may not be CE marked. Additionally, the part



numbers that TE has identified as EU ELV compliant have a maximum concentration of 0.1% by weight in homogenous materials for lead, hexavalent chromium, and mercury, and 0.01% for cadmium, or qualify for an exemption to these limits as defined in the Annexes of Directive 2000/53/EC (ELV). Regarding the REACH Regulations, TE's information on SVHC in articles for this part number is still based on the European Chemical Agency (ECHA) 'Guidance on requirements for substances in articles' (Version: 2, April 2011), applying the 0.1% weight on weight concentration threshold at the finished product level. TE is aware of the European Court of Justice ruling of September 10th, 2015 also known as O5A (Once An Article Always An Article) stating that, in case of 'complex object', the threshold for a SVHC must be applied to both the product as a whole and simultaneously to each of the articles forming part of its composition. TE has evaluated this ruling based on the new ECHA "Guidance on requirements for substances in articles" (June 2017, version 4.0) and will be updating its statements accordingly.

Compatible Parts

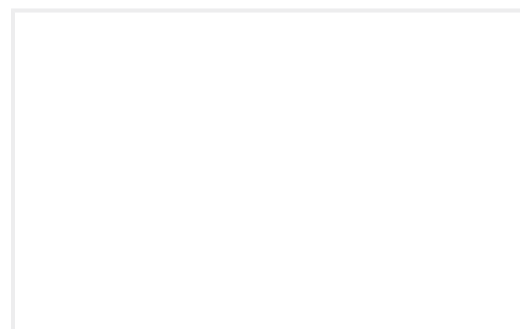


TE Part # CAT-P97-F2030
High Performance Single Phase Filters
FN2030, General Purpose AC/DC EMC
/RFI Filter with High Attenuation
Performance

Also in the Series | Schaffner FN2030



Medical Single Phase Filters(85)



Single Phase Filters(85)

Customers Also Bought



TE Part #800090-SF
FN355-3-05



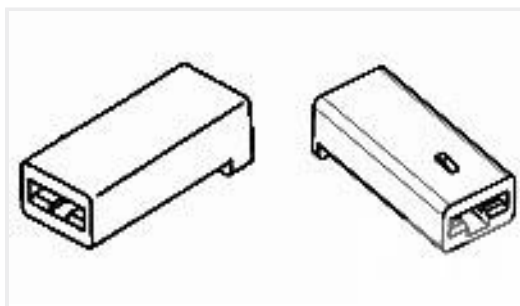
TE Part #802430-SF
FN2030-6-06



TE Part #800950-SF
FN9246-10-06



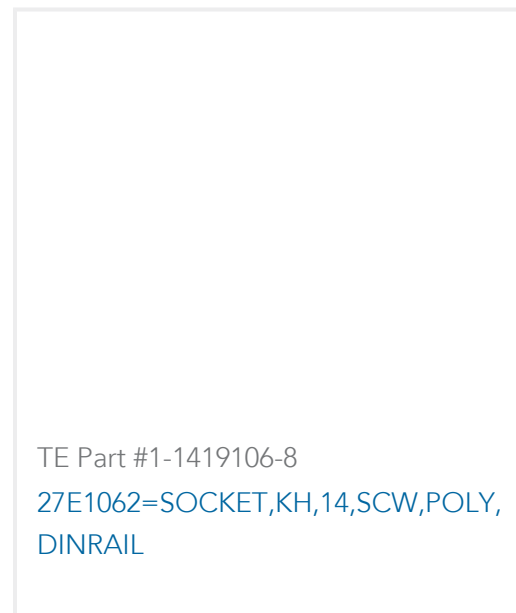
TE Part #66601-1
III+ SKT,18-14,TIN-LEAD,LP



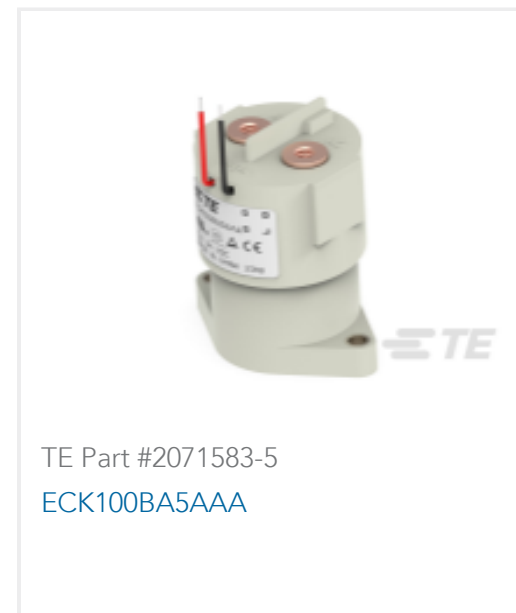
TE Part #180905
FF 250 REC HSG 1P NYLON NAT



TE Part #205205-2
CRIMP SNAP RCPT ASSY,SIZE 2



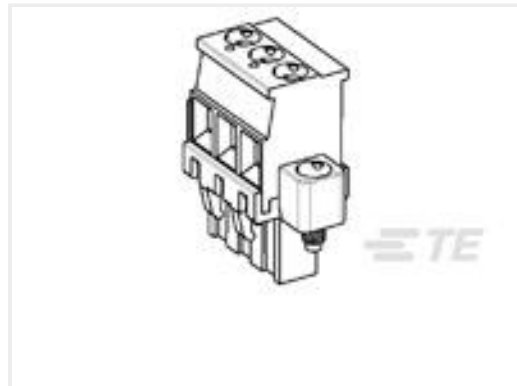
TE Part #1-1419106-8
27E1062=SOCKET,KH,14,SCW,POLY,
DINRAIL



TE Part #2071583-5
ECK100BA5AAA



TE Part #1-2199300-2
32P,DIP SKT,600 CL,OTC,PB FREE



TE Part #796863-2
2 POS TERMI-BLOK PLUG VERTICAL

Documents

CAD Files

Customer View Model

[ENG_CVM_CVM_817058-SF_H.2d_dxf.zip](#)

English

3D PDF

3D

Customer View Model

[ENG_CVM_CVM_817058-SF_H.3d_stp.zip](#)

English

Customer View Model

[ENG_CVM_CVM_817058-SF_H.3d_igs.zip](#)

English

By downloading the CAD file I accept and agree to the [Terms and Conditions](#) of use.

Datasheets & Catalog Pages

[High Performance Single-Phase Filters FN2030](#)

English

Agency Approvals

[CB SE-82560](#)

English