



Schaffner | Schaffner FN2010

TE Internal #: 817050-SF

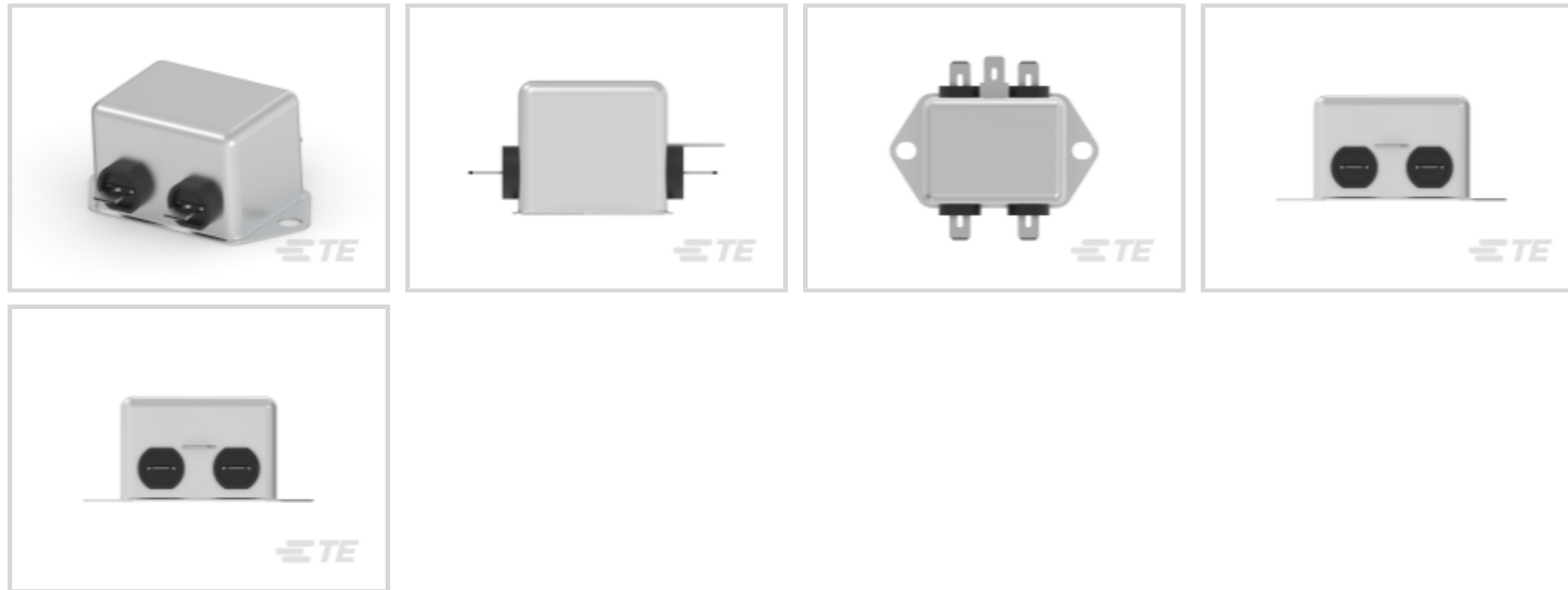
10 A Single Phase Filter, FASTON Input, FASTON Output, 250

VAC, Schaffner FN2010, Single Phase Filters

[View on TE.com >](#)

EMI & EMC Solutions > EMC Filters > Power Line Filters > Single Phase Filters >

Standard Performance Single Phase Filters FN2010, General Purpose AC/DC EMC/RFI Filter



Current Rating: 10 A

Input Termination Type: FASTON

Output Termination Type: FASTON

Leakage Current (Max) (120VAC, 60Hz): 3.08 mA

Leakage Current (Max) (250VAC, 50Hz): 5.34 mA

[All Standard Performance Single Phase Filters FN2010, General Purpose AC/DC EMC/RFI Filter \(56\)](#)

## Features

### Product Type Features

Filtering Requirements	Unfiltered
Input Termination Type	FASTON
Output Termination Type	FASTON

### Electrical Characteristics

Capacitance Cy1	68
Inductance L1	.8 $\mu$ H
Capacitance Cx1	.1
Overvoltage Category	II
Current Rating	10 A
Leakage Current (Max) (120VAC, 60Hz)	3.08 mA
Leakage Current (Max) (250VAC, 50Hz)	5.34 mA
Operating Voltage	250 VAC



**Body Features**

Product Weight	.085 kg[.188 lb]
----------------	------------------

**Mechanical Attachment**

Product Mount Type	Chassis Mount
--------------------	---------------

**Dimensions**

Product Width	32.5 mm[1.27 in]
Product Length	43.5 mm[1.71 in]
Product Height	29.3 mm[1.15 in]

**Usage Conditions**

Operating Temperature Range	-25 – 100 °C[-13 – 212 °F]
-----------------------------	----------------------------

**Operation/Application**

Cooling Method	Natural Convection
Operating Altitude (Max)	2000 m

**Industry Standards**

IP Rating	IP00
UL Flammability Rating	UL 94V-0
Pollution Degree	PD2
Certified To	CSA 22.2 No. 8 1986, IEC/EN 60939, UL 1283

**Product Compliance**

[For compliance documentation, visit the product page on TE.com>](#)

EU RoHS Directive 2011/65/EU	Compliant with Exemptions
EU ELV Directive 2000/53/EC	Not Yet Reviewed
China RoHS 2 Directive MIIT Order No 32, 2016	未针对中国 RoHS 符合性进行审核 Not reviewed for China RoHS compliance
EU REACH Regulation (EC) No. 1907/2006	Current ECHA Candidate List: JUNE 2025 (250) Candidate List Declared Against: JUNE 2025 (250) SVHC > Threshold: 1-BUTANESULFONIC ACID, 1,1,2,2,3,3,4,4,4-NONAFLUORO-, POTASSIUM SALT (1:1) (.52% in Component Part) UV-326 (.4% in Component Part) UV-329 (.6% in Component Part)



**Article Safe Usage Statements:**

Do not eat, drink or smoke when using this product. Wash thoroughly after handling. Do not handle until all safety precautions have been read and understood. Recycle if possible and dispose of the article by following all applicable governmental regulations relevant to your geographic location.

Halogen Content

Not Yet Reviewed for halogen content

Solder Process Capability

Not reviewed for solder process capability

**Product Compliance Disclaimer**

This information is provided based on reasonable inquiry of our suppliers and represents our current actual knowledge based on the information they provided. This information is subject to change. The part numbers that TE has identified as EU RoHS compliant have a maximum concentration of 0.1% by weight in homogenous materials for lead, hexavalent chromium, mercury, PBB, PBDE, DBP, BBP, DEHP, DIBP, and 0.01% for cadmium, or qualify for an exemption to these limits as defined in the Annexes of Directive 2011/65/EU (RoHS2). Finished electrical and electronic equipment products will be CE marked as required by Directive 2011/65/EU. Components may not be CE marked. Additionally, the part numbers that TE has identified as EU ELV compliant have a maximum concentration of 0.1% by weight in homogenous materials for lead, hexavalent chromium, and mercury, and 0.01% for cadmium, or qualify for an exemption to these limits as defined in the Annexes of Directive 2000/53/EC (ELV). Regarding the REACH Regulations, TE's information on SVHC in articles for this part number is still based on the European Chemical Agency (ECHA) 'Guidance on requirements for substances in articles' (Version: 2, April 2011), applying the 0.1% weight on weight concentration threshold at the finished product level. TE is aware of the European Court of Justice ruling of September 10th, 2015 also known as O5A (Once An Article Always An Article) stating that, in case of 'complex object', the threshold for a SVHC must be applied to both the product as a whole and simultaneously to each of the articles forming part of its composition. TE has evaluated this ruling based on the new ECHA "Guidance on requirements for substances in articles" (June 2017, version 4.0) and will be updating its statements accordingly.

## Compatible Parts

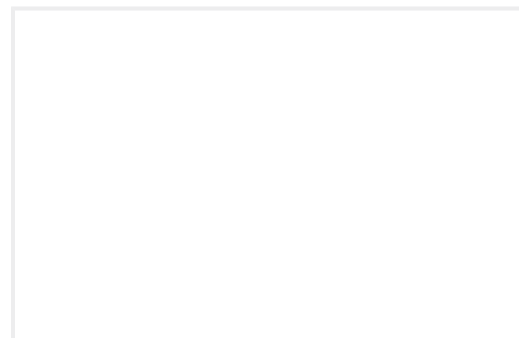


TE Part # CAT-P97-F2010  
 Standard Performance Single Phase  
 Filters FN2010, General Purpose AC  
 /DC EMC/RFI Filter

## Also in the Series | Schaffner FN2010



Medical Single Phase Filters(56)



Single Phase Filters(56)

## Customers Also Bought



TE Part #822027-SF  
FN3280H-36-33-R69



TE Part #817045-SF  
FN2010M-20-06



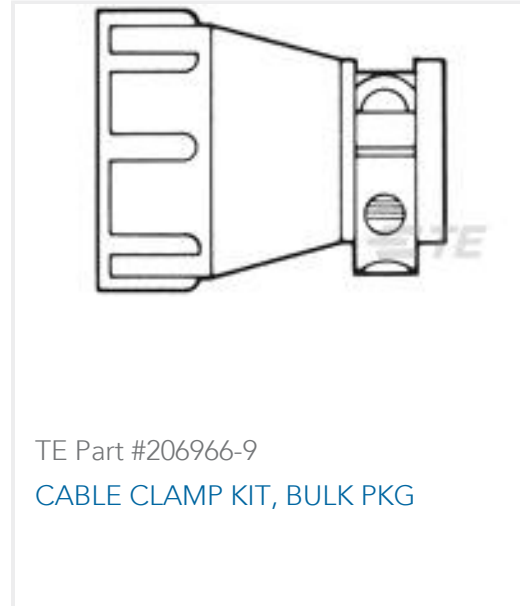
TE Part #817996-SF  
FN3288-25-33-C35-R65



TE Part #66098-6  
III+ PIN,18-16,30AU>10,STRIP



TE Part #1-66358-3  
III+ SKT,18-14,30AU/FL,STRIP



TE Part #206966-9  
CABLE CLAMP KIT, BULK PKG



TE Part #749111-8  
100 50SR CABLE PLUG ASSY



TE Part #1658622-6  
26 NOVO MIL/CTR 30DP,LEAD FREE



TE Part #1658622-9  
40 NOVO MIL/CTR 30DP,LEAD FREE



TE Part #1-5750913-9  
100 50SR CABLE CONN KIT

## Documents

### CAD Files

#### Customer View Model

[ENG\\_CVM\\_CVM\\_817050-SF\\_H.2d\\_dxf.zip](#)

English

#### Customer View Model

[ENG\\_CVM\\_CVM\\_817050-SF\\_H.3d\\_igs.zip](#)

English

### 3D PDF

3D

#### Customer View Model

[ENG\\_CVM\\_CVM\\_817050-SF\\_H.3d\\_stp.zip](#)

English

By downloading the CAD file I accept and agree to the [Terms and Conditions](#) of use.

### Datasheets & Catalog Pages

[Standard Performance Single-Phase Filters FN2010](#)

English

### Agency Approvals



[CB SE-107475](#)

English