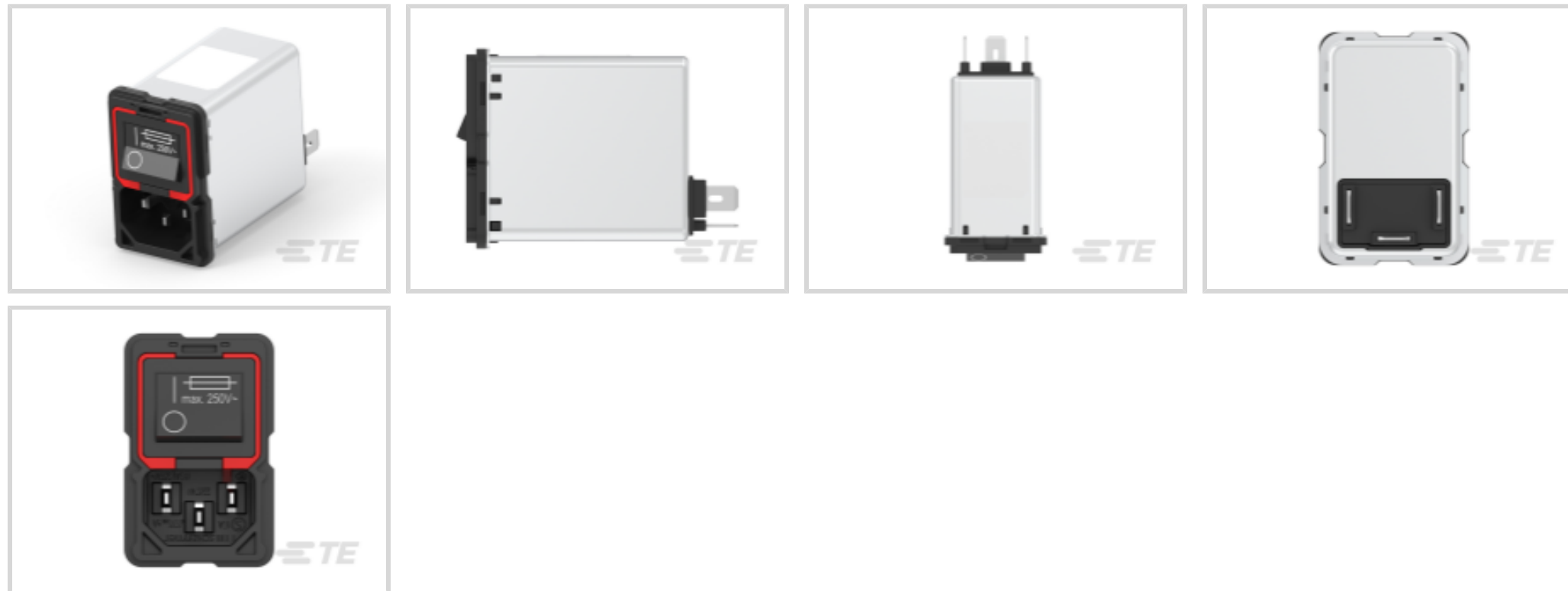




EMI & EMC Solutions > IEC Inlets > Inlet Filters > FN9280 Power Entry Module with EMC Filter – Ultra-Compact and Versatile Design



Filtering Requirements: **Filtered**

Current Rating (Max): **10 A**

Output Termination Type: **FASTON**

Pollution Degree: **PD2**

IP Rating: **IP40**

[All FN9280 Power Entry Module with EMC Filter – Ultra-Compact and Versatile Design \(82\)](#)

Features

Product Type Features

Level Of Filtering	Inductor & Capacitor
Filter Switch Type	DPST
Filtering Requirements	Filtered
Output Termination Type	FASTON
Ground Choke Option	No

Configuration Features

Fuse Options	Dual
--------------	------

Electrical Characteristics

Inductance L1	.32 μ H
Capacitance Cx1	220
Overvoltage Category	II
Current Rating (Max)	10 A
Leakage Current (Max) (120VAC, 60Hz)	0 μ A



Leakage Current (Max) (250VAC, 50Hz) 0 μA

Body Features

3.73 oz

Dimensions

Product Width 49.8 mm[1.96 in]
 Product Length 32 mm[1.25 in]
 Product Height 55.6 mm[2.18 in]

Operation/Application

Cooling Method Natural Convection

Industry Standards

Certified To CSA 22.2 No. 8 1986, EN 60320, EN 60601-1, EN 60939, EN 60950, UL 1283, UL 544
 Pollution Degree PD2
 IP Rating IP40
 UL Flammability Rating UL 94V-2

Product Compliance

[For compliance documentation, visit the product page on TE.com>](#)

EU RoHS Directive 2011/65/EU Compliant with Exemptions
 EU ELV Directive 2000/53/EC Not Yet Reviewed
 China RoHS 2 Directive MIIT Order No 32, 2016 未针对中国 RoHS 符合性进行审核 Not reviewed for China RoHS compliance
 EU REACH Regulation (EC) No. 1907/2006 Current ECHA Candidate List: JUNE 2025 (250)
 Candidate List Declared Against: JUNE 2025 (250)
 Does not contain REACH SVHC
 Halogen Content Not Yet Reviewed for halogen content
 Solder Process Capability Not reviewed for solder process capability

Product Compliance Disclaimer

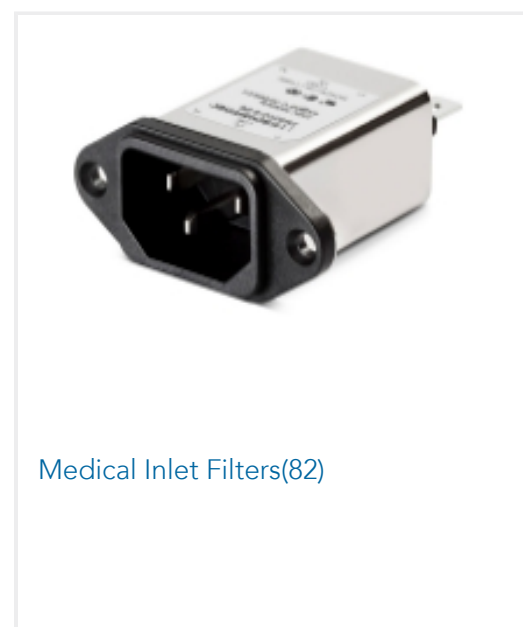
This information is provided based on reasonable inquiry of our suppliers and represents our current actual knowledge based on the information they provided. This information is subject to change. The part numbers that TE has identified as EU RoHS compliant have a maximum concentration of 0.1% by weight in homogenous materials for lead, hexavalent chromium, mercury, PBB, PBDE, DBP, BBP, DEHP, DIBP, and 0.01% for cadmium, or qualify for an exemption to these limits as defined in the Annexes of Directive 2011/65/EU (RoHS2). Finished electrical and electronic equipment products will be CE marked as required by Directive 2011/65/EU. Components may not be CE marked. Additionally, the part numbers that TE has identified as EU ELV compliant have a maximum concentration of 0.1% by weight in homogenous materials for lead, hexavalent chromium, and mercury, and 0.01% for cadmium, or qualify for an exemption to these limits

as defined in the Annexes of Directive 2000/53/EC (ELV). Regarding the REACH Regulations, TE's information on SVHC in articles for this part number is still based on the European Chemical Agency (ECHA) 'Guidance on requirements for substances in articles'(Version: 2, April 2011), applying the 0.1% weight on weight concentration threshold at the finished product level. TE is aware of the European Court of Justice ruling of September 10th, 2015 also known as O5A (Once An Article Always An Article) stating that, in case of 'complex object', the threshold for a SVHC must be applied to both the product as a whole and simultaneously to each of the articles forming part of its composition. TE has evaluated this ruling based on the new ECHA "Guidance on requirements for substances in articles" (June 2017, version 4.0) and will be updating its statements accordingly.

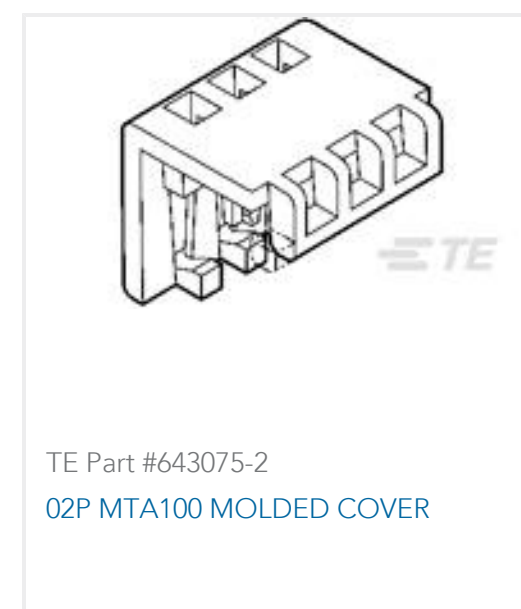
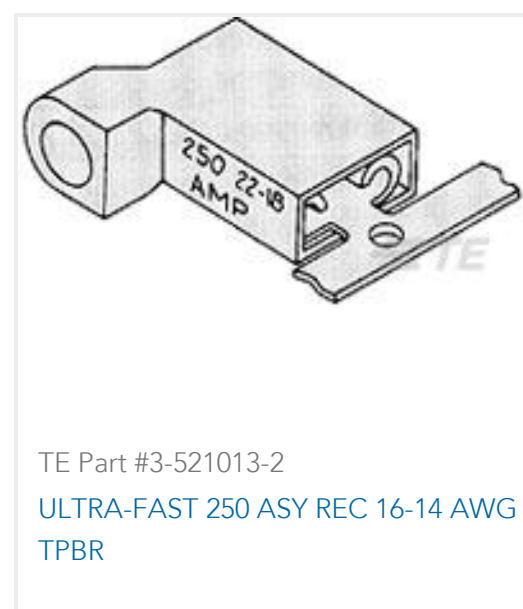
Compatible Parts

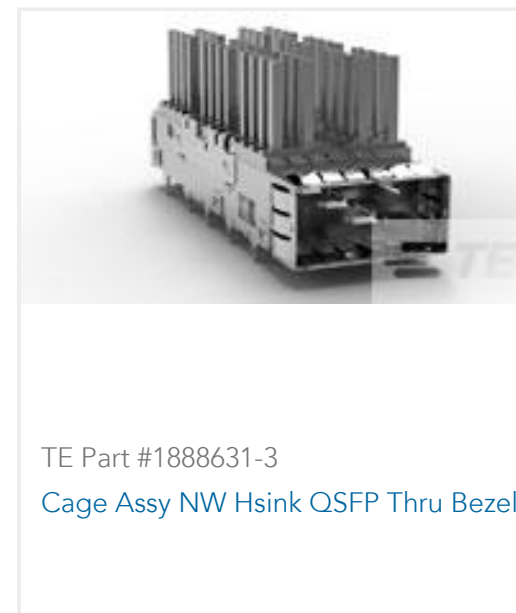


Also in the Series | Schaffner FN9280



Customers Also Bought





Documents

CAD Files

Customer View Model

[ENG_CVM_CVM_812344-SF_D.3d_stp.zip](#)

English

Customer View Model

[ENG_CVM_CVM_812344-SF_D.2d_dxf.zip](#)

English

3D PDF

3D

Customer View Model

[ENG_CVM_CVM_812344-SF_D.3d_igs.zip](#)

English

By downloading the CAD file I accept and agree to the [Terms and Conditions](#) of use.

Datasheets & Catalog Pages

[Power Entry Module with EMC Filter FN9280](#)

English

Agency Approvals

[CQC14001118736](#)

English