



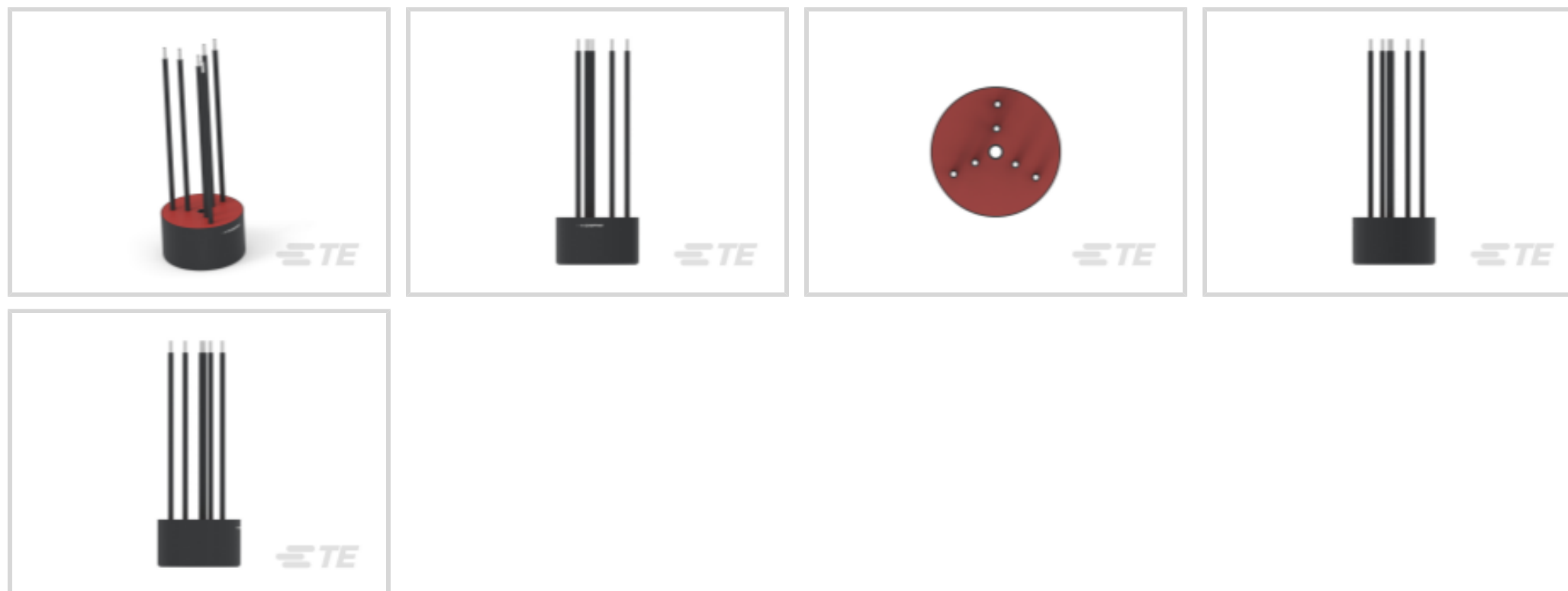
Schaffner | Schaffner RD-Series

TE Internal #: 800664-SF

600 VDC, 10 A, Litz Wire, PD2 Pollution Degree, IP00, Horizontal, UL 94V-0, Chassis Mount, Schaffner RD-Series, EMC Chokes

[View on TE.com >](#)

EMI & EMC Solutions > EMC Chokes > EMC / RFI Chokes RD Series



Operating Voltage (Max): **600 VDC**

Current Rating (Max): **10 A**

Input Termination Type: **Litz Wire**

Output Termination Type: **Litz Wire**

Pollution Degree: **PD2**

[All EMC / RFI Chokes RD Series \(42\)](#)

## Features

### Product Type Features

|                         |           |
|-------------------------|-----------|
| Input Termination Type  | Litz Wire |
| Output Termination Type | Litz Wire |

### Electrical Characteristics

|                         |         |
|-------------------------|---------|
| Overvoltage Category    | II      |
| Operating Voltage (Max) | 600 VDC |
| Current Rating (Max)    | 10 A    |

### Body Features

|                     |                |
|---------------------|----------------|
| Product Weight      | 380 g[13.4 oz] |
| Product Orientation | Horizontal     |

### Mechanical Attachment

|                    |               |
|--------------------|---------------|
| Product Mount Type | Chassis Mount |
|--------------------|---------------|

### Dimensions

|               |                |
|---------------|----------------|
| Product Width | 70 mm[2.75 in] |
|---------------|----------------|

|                |                |
|----------------|----------------|
| Product Length | 70 mm[2.75 in] |
|----------------|----------------|

|                |                |
|----------------|----------------|
| Product Height | 40 mm[1.57 in] |
|----------------|----------------|

### Usage Conditions

|                             |                            |
|-----------------------------|----------------------------|
| Operating Temperature Range | -25 – 110 °C[-13 – 230 °F] |
|-----------------------------|----------------------------|

### Operation/Application

|                |                    |
|----------------|--------------------|
| Cooling Method | Natural Convection |
|----------------|--------------------|

### Industry Standards

|                  |     |
|------------------|-----|
| Pollution Degree | PD2 |
|------------------|-----|

|           |      |
|-----------|------|
| IP Rating | IP00 |
|-----------|------|

|                        |          |
|------------------------|----------|
| UL Flammability Rating | UL 94V-0 |
|------------------------|----------|

## Product Compliance

[For compliance documentation, visit the product page on TE.com>](#)

|                              |           |
|------------------------------|-----------|
| EU RoHS Directive 2011/65/EU | Compliant |
|------------------------------|-----------|

|                             |                  |
|-----------------------------|------------------|
| EU ELV Directive 2000/53/EC | Not Yet Reviewed |
|-----------------------------|------------------|

|   |   |
|---|---|
| China RoHS 2 Directive MIIT Order No 32, 2016 | 有害物质含量符合标准要求 No Restricted Substance(s) Above Threshold |
|---|---|

|  |   |
|--|---|
| EU REACH Regulation (EC) No. 1907/2006 | Current ECHA Candidate List: JUNE 2025 (250)<br>Candidate List Declared Against: JUNE 2025 (250)<br>Does not contain REACH SVHC |
|--|---|

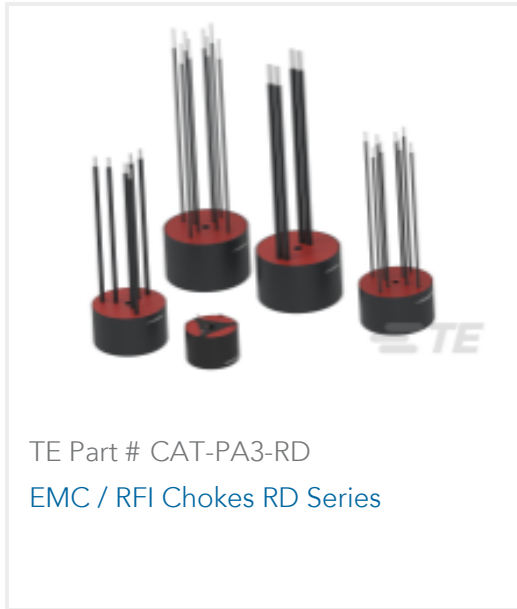
|                 |                                      |
|-----------------|--------------------------------------|
| Halogen Content | Not Yet Reviewed for halogen content |
|-----------------|--------------------------------------|

|                           |  |
|---------------------------|--|
| Solder Process Capability | Not reviewed for solder process capability |
|---------------------------|--|

#### Product Compliance Disclaimer

This information is provided based on reasonable inquiry of our suppliers and represents our current actual knowledge based on the information they provided. This information is subject to change. The part numbers that TE has identified as EU RoHS compliant have a maximum concentration of 0.1% by weight in homogenous materials for lead, hexavalent chromium, mercury, PBB, PBDE, DBP, BBP, DEHP, DIBP, and 0.01% for cadmium, or qualify for an exemption to these limits as defined in the Annexes of Directive 2011/65/EU (RoHS2). Finished electrical and electronic equipment products will be CE marked as required by Directive 2011/65/EU. Components may not be CE marked. Additionally, the part numbers that TE has identified as EU ELV compliant have a maximum concentration of 0.1% by weight in homogenous materials for lead, hexavalent chromium, and mercury, and 0.01% for cadmium, or qualify for an exemption to these limits as defined in the Annexes of Directive 2000/53/EC (ELV). Regarding the REACH Regulations, TE's information on SVHC in articles for this part number is still based on the European Chemical Agency (ECHA) 'Guidance on requirements for substances in articles' (Version: 2, April 2011), applying the 0.1% weight on weight concentration threshold at the finished product level. TE is aware of the European Court of Justice ruling of September 10th, 2015 also known as O5A (Once An Article Always An Article) stating that, in case of 'complex object', the threshold for a SVHC must be applied to both the product as a whole and simultaneously to each of the articles forming part of its composition. TE has evaluated this ruling based on the new ECHA "Guidance on requirements for substances in articles" (June 2017, version 4.0) and will be updating its statements accordingly.

## Compatible Parts



TE Part # CAT-PA3-RD  
EMC / RFI Chokes RD Series

## Also in the Series | Schaffner RD-Series



EMC Chokes(42)

## Customers Also Bought



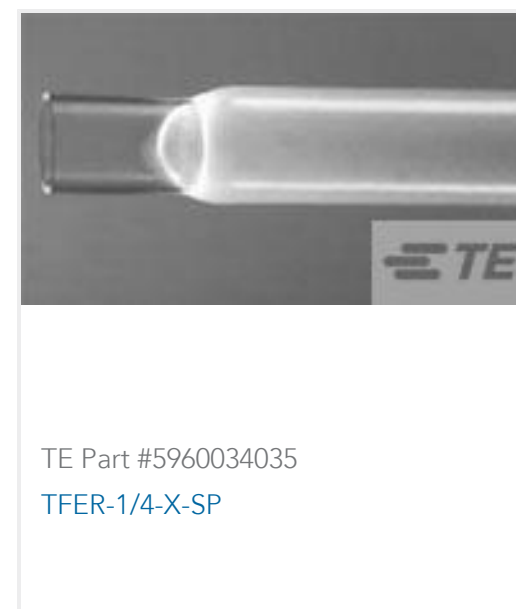
TE Part #818004-SF  
FN3288IT-10-44-C34-R60



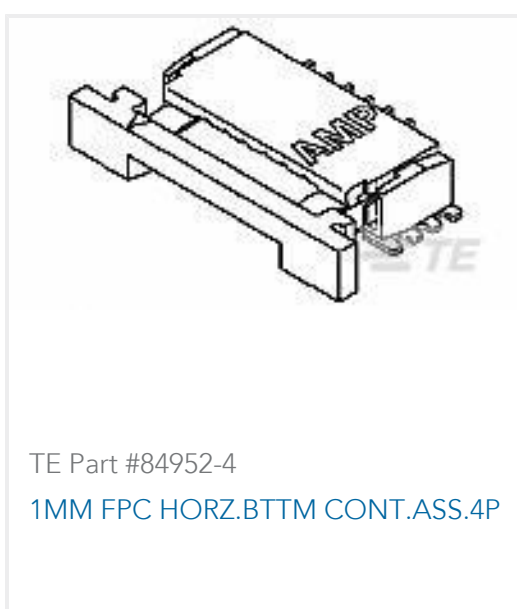
TE Part #ZPF000000000096001  
FDBA 50-16-26 PW-K 059



TE Part #620006-000  
D-105-00



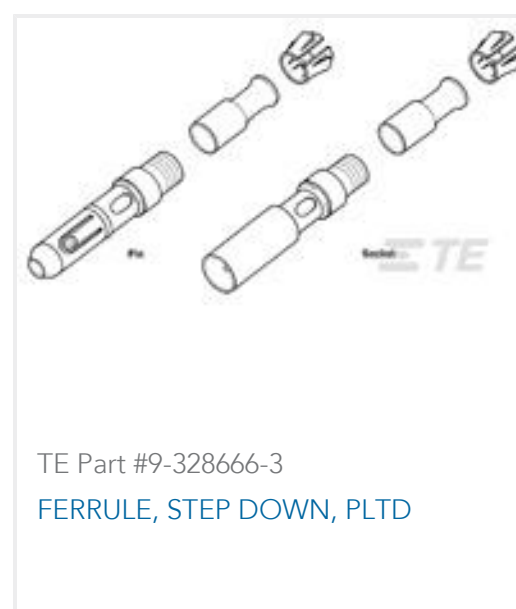
TE Part #5960034035  
TFER-1/4-X-SP



TE Part #84952-4  
1MM FPC HORZ.BTTM CONT.ASS.4P



TE Part #2-323916-3  
TERMINAL,PIDG R IR 24 8



TE Part #9-328666-3  
FERRULE, STEP DOWN, PLTD



TE Part #710032-4  
XCT 6-6



## Documents

### Product Drawings

[RD7137-10-6M6](#)

English

---

### Datasheets & Catalog Pages

[RFI Chokes RD series](#)

English