



Schaffner | Schaffner FN2060

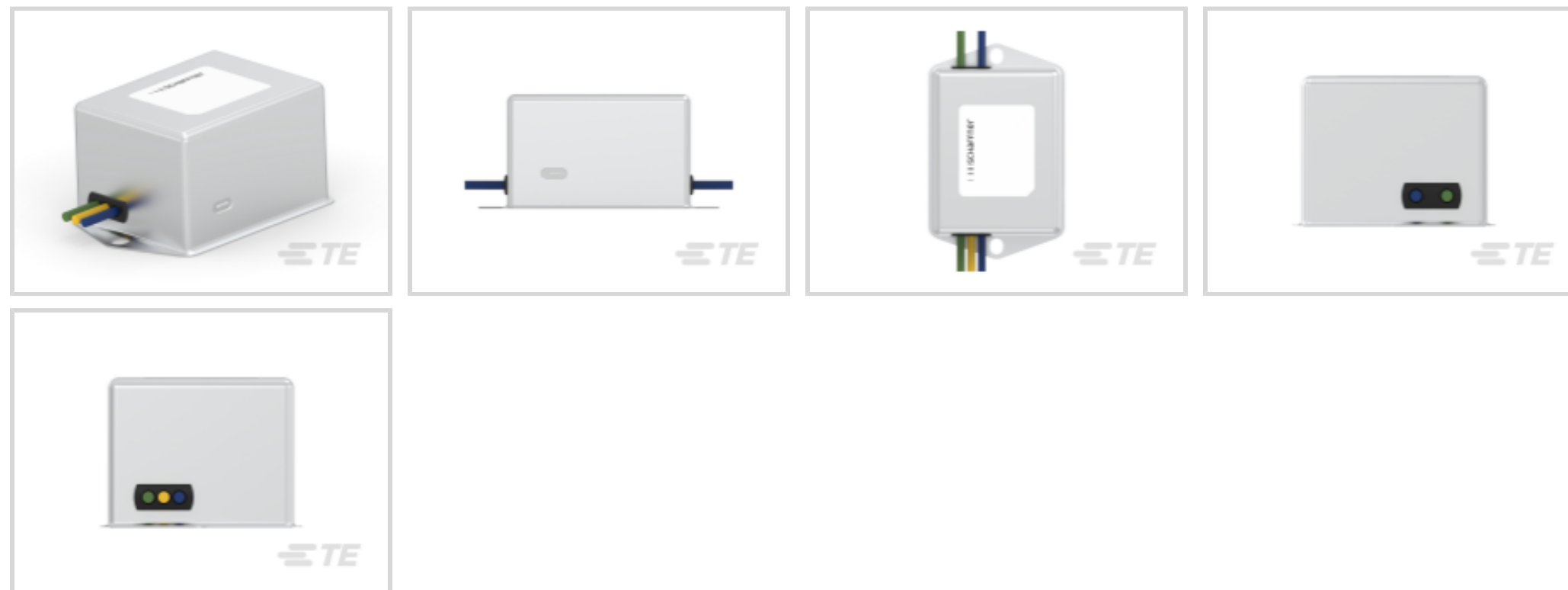
TE Internal #: 800561-SF

16 A Single Phase Filter, Litz Wire Input, Litz Wire Output, 250 VAC,
Schaffner FN2060, Single Phase Filters

[View on TE.com >](#)

EMI & EMC Solutions > EMC Filters > Power Line Filters > Single Phase Filters >

High Performance Single Phase Filters FN2060, Multi stage General Purpose AC/DC EMC/RFI Filter



Current Rating: **16 A**

Input Termination Type: **Litz Wire**

Output Termination Type: **Litz Wire**

Leakage Current (Max) (120VAC, 60Hz): **.38 mA**

Leakage Current (Max) (250VAC, 50Hz): **.66 mA**

[All High Performance Single Phase Filters FN2060, Multi stage General Purpose AC/DC EMC/RFI Filter \(39\)](#)

Features

Product Type Features

Filtering Requirements	Unfiltered
Input Termination Type	Litz Wire
Output Termination Type	Litz Wire

Electrical Characteristics

Capacitance Cy1	4.7
Inductance L1	.65 μ H
Capacitance Cx1	.33
Overvoltage Category	II
Current Rating	16 A
Leakage Current (Max) (120VAC, 60Hz)	.38 mA
Leakage Current (Max) (250VAC, 50Hz)	.66 mA
Operating Voltage	250 VAC



Body Features

Product Weight	.26 kg [.574 lb]
----------------	------------------

Mechanical Attachment

Product Mount Type	Chassis Mount
--------------------	---------------

Dimensions

Product Width	49.8 mm [1.96 in]
---------------	-------------------

Product Length	64.8 mm [2.55 in]
----------------	-------------------

Product Height	40.3 mm [1.58 in]
----------------	-------------------

Usage Conditions

Operating Temperature Range	-25 – 100 °C [-13 – 212 °F]
-----------------------------	-----------------------------

Operation/Application

Cooling Method	Natural Convection
----------------	--------------------

Operating Altitude (Max)	2000 m
--------------------------	--------

Industry Standards

IP Rating	IP00
-----------	------

UL Flammability Rating	UL 94V-0
------------------------	----------

Pollution Degree	PD2
------------------	-----

Certified To	CSA 22.2 No. 8 1986, IEC/EN 60939, UL 1283
--------------	--

Product Compliance

[For compliance documentation, visit the product page on TE.com>](#)

EU RoHS Directive 2011/65/EU	Compliant with Exemptions
------------------------------	---------------------------

EU ELV Directive 2000/53/EC	Compliant
-----------------------------	-----------

China RoHS 2 Directive MIIT Order No 32, 2016	未针对中国 RoHS 符合性进行审核 Not reviewed for China RoHS compliance
---	---

EU REACH Regulation (EC) No. 1907/2006	Current ECHA Candidate List: JUNE 2025 (250) Candidate List Declared Against: JUNE 2025 (250) Does not contain REACH SVHC
--	---

Halogen Content	Not Yet Reviewed for halogen content
-----------------	--------------------------------------

Solder Process Capability	Not reviewed for solder process capability
---------------------------	--

Product Compliance Disclaimer



This information is provided based on reasonable inquiry of our suppliers and represents our current actual knowledge based on the information they provided. This information is subject to change. The part numbers that TE has identified as EU RoHS compliant have a maximum concentration of 0.1% by weight in homogenous materials for lead, hexavalent chromium, mercury, PBB, PBDE, DBP, BBP, DEHP, DIBP, and 0.01% for cadmium, or qualify for an exemption to these limits as defined in the Annexes of Directive 2011/65/EU (RoHS2). Finished electrical and electronic equipment products will be CE marked as required by Directive 2011/65/EU. Components may not be CE marked. Additionally, the part numbers that TE has identified as EU ELV compliant have a maximum concentration of 0.1% by weight in homogenous materials for lead, hexavalent chromium, and mercury, and 0.01% for cadmium, or qualify for an exemption to these limits as defined in the Annexes of Directive 2000/53/EC (ELV). Regarding the REACH Regulations, TE's information on SVHC in articles for this part number is still based on the European Chemical Agency (ECHA) 'Guidance on requirements for substances in articles' (Version: 2, April 2011), applying the 0.1% weight on weight concentration threshold at the finished product level. TE is aware of the European Court of Justice ruling of September 10th, 2015 also known as O5A (Once An Article Always An Article) stating that, in case of 'complex object', the threshold for a SVHC must be applied to both the product as a whole and simultaneously to each of the articles forming part of its composition. TE has evaluated this ruling based on the new ECHA "Guidance on requirements for substances in articles" (June 2017, version 4.0) and will be updating its statements accordingly.

Compatible Parts

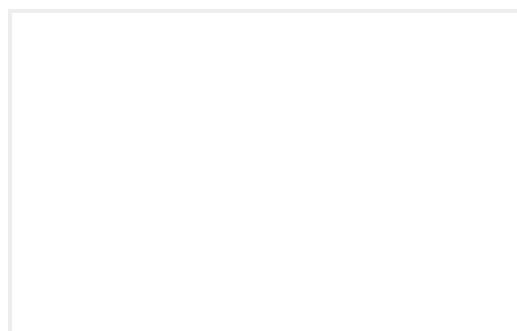


TE Part # CAT-P97-F2060
 High Performance Single Phase Filters
 FN2060, Multi stage General Purpose
 AC/DC EMC/RFI Filter

Also in the Series | Schaffner FN2060



Medical Single Phase Filters(39)



Single Phase Filters(39)

Customers Also Bought



TE Part #BM5709N002
 102L022-R05/S(S25)



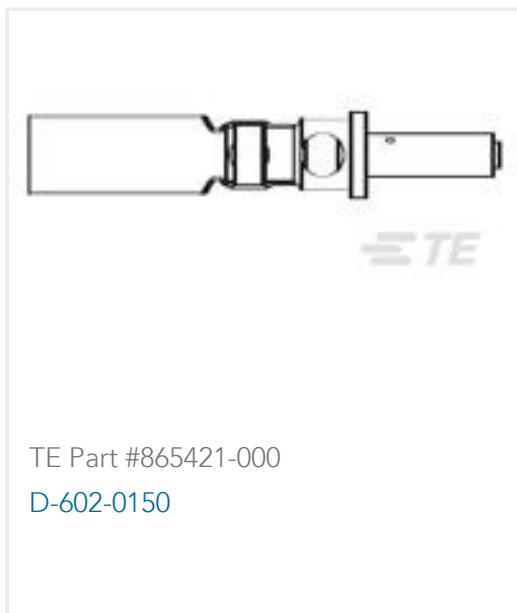
TE Part #800617-SF
 FN2060-6-07



TE Part #CAT-MWTM
 Medium-Wall Heat Shrink Tubing



TE Part #193888-E
 IDCCS SMC 1,27 68 * AU AUI 100 PVC



Documents

CAD Files

Customer View Model

[ENG_CVM_CVM_800561-SF_D.3d_stp.zip](#)

English

3D PDF

3D

Customer View Model

[ENG_CVM_CVM_800561-SF_D.2d_dxf.zip](#)

English

Customer View Model

[ENG_CVM_CVM_800561-SF_D.3d_igs.zip](#)

English

By downloading the CAD file I accept and agree to the [Terms and Conditions](#) of use.

Datasheets & Catalog Pages

[High Performance Single-Phase Filters FN2060](#)

English

Agency Approvals

[CB SE-107475](#)

English