



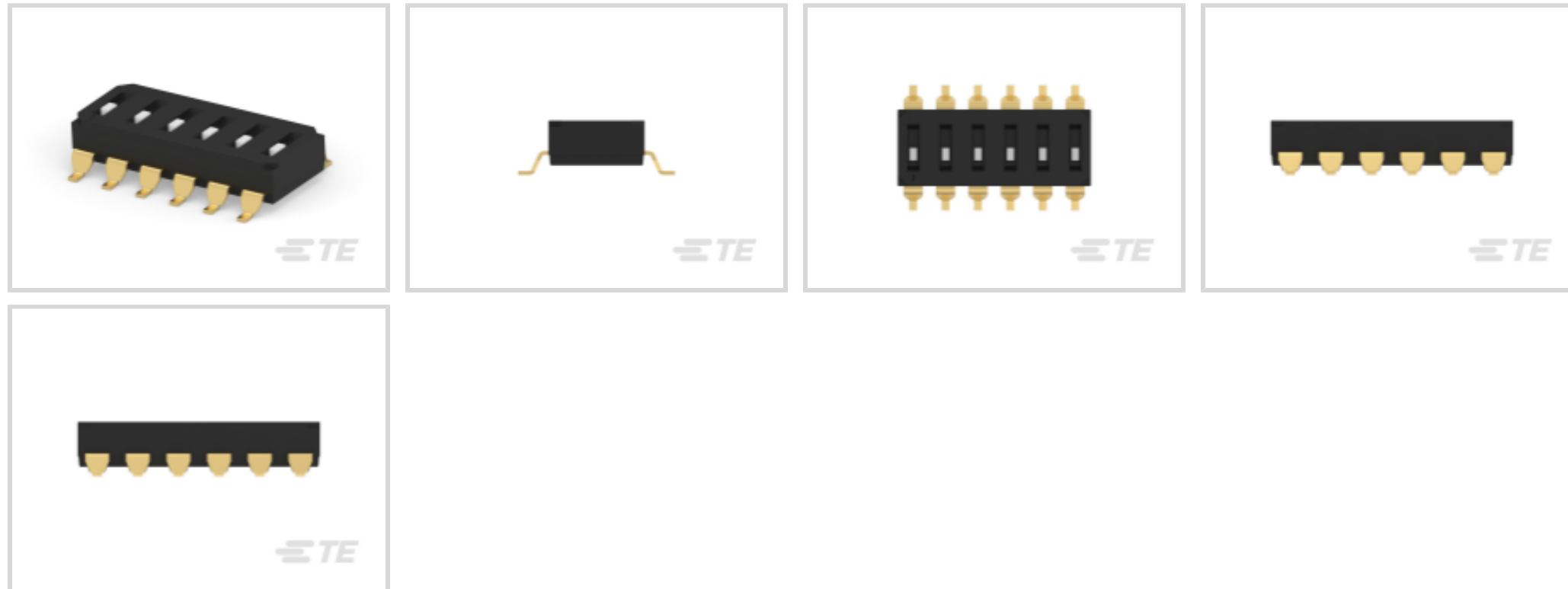
ALCOSWITCH | ALCOSWITCH DIP EDS

TE Internal #: 4-2319848-8

DIP Switch, Gold Flash Contact Plating, Black, High Temperature Nylon, 6 Switch, -20 – 85 °C [-4 – 185 °F], Slide Actuator, ALCOSWITCH DIP EDS

[View on TE.com >](#)

Switches > DIP & SIP Switches



Switch Contact Plating Material: **Gold Flash**

Case Color: **Black**

Case Material: **High Temperature Nylon**

Sealed Device: **No**

Number of Switches: **6**

Features

Product Type Features

Sealed Device	No
DIP & SIP Switch Type	DIP
Actuator Style	Slide Actuator

Configuration Features

Number of Positions	6
Number of Switches	6
Configuration (Pole-Throw)	Single Pole - Single Throw

Electrical Characteristics

Contact Current Rating	.025 A
Operating Voltage	24 VDC

Body Features

Actuator Color	White
Product Orientation	Vertical
Case Color	Black



Case Material	High Temperature Nylon
---------------	------------------------

Contact Features

Contact Underplating Material	Nickel
PCB Contact Termination Area Plating Material	Gold Flash
Switch Contact Plating Material	Gold Flash
Contact Base Material	Copper Alloy

Termination Features

Termination Method to PCB	Surface Mount
---------------------------	---------------

Housing Features

Centerline (Pitch)	2.54 mm[.1 in]
--------------------	----------------

Dimensions

Product Length	15.14 mm[.596 in]
Product Height	3.4 mm[.134 in]

Usage Conditions

Operating Temperature Range	-20 – 85 °C[-4 – 185 °F]
-----------------------------	--------------------------

Packaging Features

Packaging Method	Tape & Reel
Packaging Quantity	900

Product Compliance

[For compliance documentation, visit the product page on TE.com>](#)

EU RoHS Directive 2011/65/EU	Compliant
EU ELV Directive 2000/53/EC	Not Yet Reviewed
China RoHS 2 Directive MIIT Order No 32, 2016	有害物质含量符合标准要求 No Restricted Substance(s) Above Threshold
EU REACH Regulation (EC) No. 1907/2006	Current ECHA Candidate List: JUNE 2025 (250) Candidate List Declared Against: JUNE 2025 (250) Does not contain REACH SVHC
Halogen Content	Low Halogen - Br, Cl, F < 900 ppm per homogenous material. Also BFR/CFR/PVC Free
Solder Process Capability	Not reviewed for solder process capability

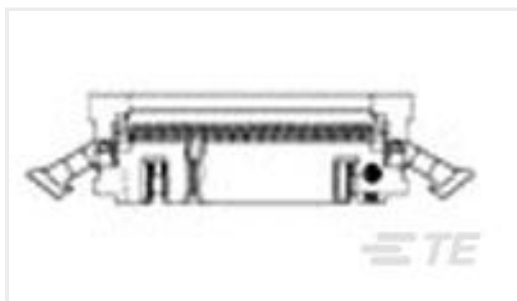
Product Compliance Disclaimer

This information is provided based on reasonable inquiry of our suppliers and represents our current actual knowledge based on the information they provided. This information is subject to change. The part numbers that TE has identified as EU RoHS compliant have a maximum concentration of 0.1% by weight in homogenous materials for lead, hexavalent chromium, mercury, PBB, PBDE, DBP, BBP, DEHP, DIBP, and 0.01% for cadmium, or qualify for an exemption to these limits as defined in the Annexes of Directive 2011/65/EU (RoHS2). Finished electrical and electronic equipment products will be CE marked as required by Directive 2011/65/EU. Components may not be CE marked. Additionally, the part numbers that TE has identified as EU ELV compliant have a maximum concentration of 0.1% by weight in homogenous materials for lead, hexavalent chromium, and mercury, and 0.01% for cadmium, or qualify for an exemption to these limits as defined in the Annexes of Directive 2000/53/EC (ELV). Regarding the REACH Regulation, the information TE provides on SVHC in articles for this part number is based on the latest European Chemicals Agency (ECHA) 'Guidance on requirements for substances in articles' posted at this URL: <https://echa.europa.eu/guidance-documents/guidance-on-reach>

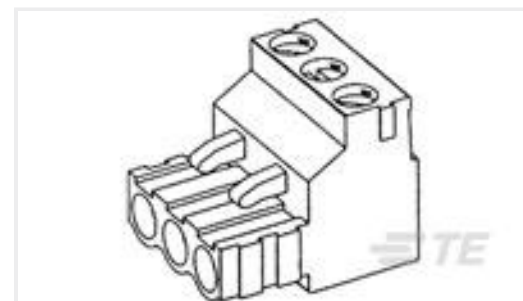
Compatible Parts

Also in the Series | **ALCOSWITCH DIP EDS**

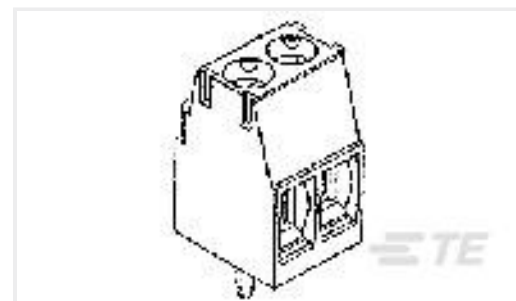
Customers Also Bought



TE Part #1-111504-4
10 UNIV I/O, NO EARS, LEAD FREE



TE Part #282807-4
TERMI-BLOK PLUG STACKING 4P.5,



TE Part #284392-4
TERMI-BLOK PCB SIDE ENTRY STAC



TE Part #499252-5
010 STRAIN RELIEF A-L RCPT



TE Part #640456-6
06P MTA100 HDR ASSY F/L SQ STR



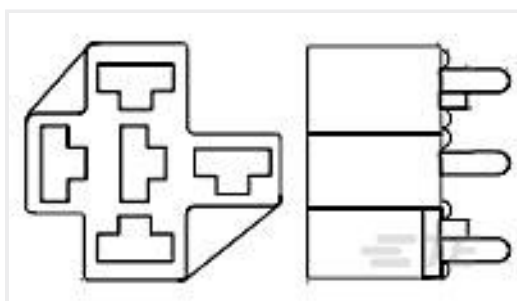
TE Part #1-1393225-9
RY611012



TE Part #1658621-1
10 NOVO MIL/CTR 15DP, LEAD FREE



TE Part #1734366-1
Std USB Type A, VT, T/H



TE Part #1393310-3
VCF4-1000=FROM SEC

Documents

Product Drawings

[END STACK DIP 6P G RECESS T&R](#)

English

CAD Files

[3D PDF](#)

3D

Customer View Model

[ENG_CVM_CVM_4-2319848-8_A.2d_dxf.zip](#)

English

Customer View Model

[ENG_CVM_CVM_4-2319848-8_A.3d_igs.zip](#)

English

Customer View Model

[ENG_CVM_CVM_4-2319848-8_A.3d_stp.zip](#)

English

By downloading the CAD file I accept and agree to the [Terms and Conditions](#) of use.

Datasheets & Catalog Pages



[SWITCHES_CORE_PROGRAM_CATALOG](#)

English

[SWITCHES_CATALOG_SECTION_A_DIP_SWITCHES](#)

English