

THS25680RJ ✓ ACTIVE

CGS | CGS THS

TE Internal #: 4-1879075-7

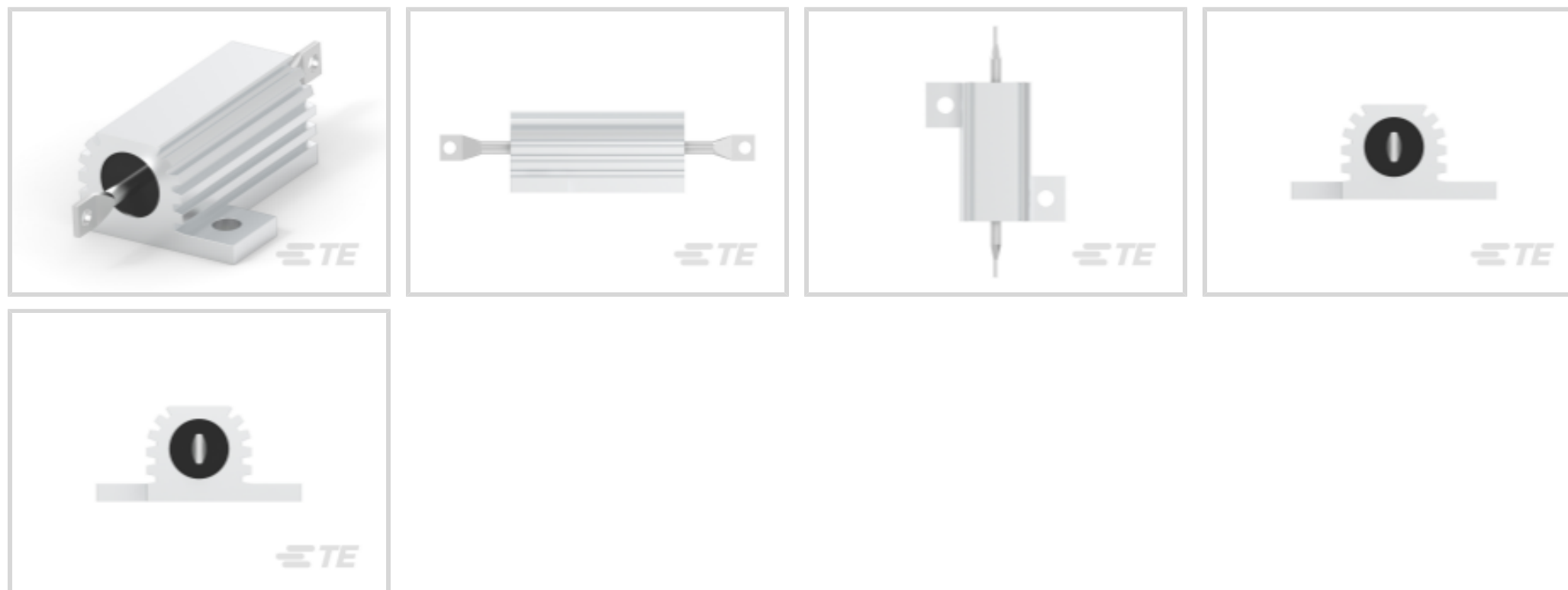
680 ohm, Wire Wound, 5 %, Power Resistor, 25 W, 2 Terminations,
±30 ppm/°C, Solder Lug, Loose Piece - Tray, 15 mm [.591 in]

Height, CGS THS

[View on TE.com >](#)



Passive Components > Resistors > Chassis Mount Resistors > Power Resistor: Aluminum Housed, 75 Watt



Resistor Type: **Power Resistor**

Resistance Class: **Up to 1kΩ**

Resistance Value: **680 Ω**

Power Rating: **25 W**

Element Type: **Wire Wound**

[All Power Resistor: Aluminum Housed, 75 Watt \(236\)](#)

Features

Product Type Features

Resistor Type	Power Resistor
Element Type	Wire Wound

Configuration Features

Number of Resistors	1
---------------------	---

Electrical Characteristics

Operating Voltage	550 VDC
Resistance Class	Up to 1kΩ
Resistance Value	680 Ω
Power Rating	25 W
Passive Component Tolerance	5 %

Termination Features

Number of Terminations	2
------------------------	---

Chassis Mount Resistor Termination Type

Solder Lug

Mechanical Attachment

Panel Mount Feature Type

Flange with Mounting Holes

Dimensions

Product Height

15 mm [.591 in]

Product Length

51 mm [2.008 in]

Product Width

28 mm [1.102 in]

Usage Conditions

Temperature Coefficient

 ± 30 ppm/ $^{\circ}$ C

Packaging Features

Packaging Method

Loose Piece - Tray

Product Compliance

For compliance documentation, visit the product page on TE.com>

EU RoHS Directive 2011/65/EU

Compliant

EU ELV Directive 2000/53/EC

Compliant

China RoHS 2 Directive MIIT Order No 32, 2016

有害物质含量符合标准要求 No Restricted Substance(s) Above Threshold

EU REACH Regulation (EC) No. 1907/2006

Current ECHA Candidate List: JUNE 2025 (250)
Candidate List Declared Against: JAN 2025 (247)
Does not contain REACH SVHC

Halogen Content

Low Halogen - Br, Cl, F < 900 ppm per homogenous material. Also BFR/CFR/PVC Free

Solder Process Capability

Hand solderable with lead free solder

Product Compliance Disclaimer

This information is provided based on reasonable inquiry of our suppliers and represents our current actual knowledge based on the information they provided. This information is subject to change. The part numbers that TE has identified as EU RoHS compliant have a maximum concentration of 0.1% by weight in homogenous materials for lead, hexavalent chromium, mercury, PBB, PBDE, DBP, BBP, DEHP, DIBP, and 0.01% for cadmium, or qualify for an exemption to these limits as defined in the Annexes of Directive 2011/65/EU (RoHS2). Finished electrical and electronic equipment products will be CE marked as required by Directive 2011/65/EU. Components may not be CE marked. Additionally, the part numbers that TE has identified as EU ELV compliant have a maximum concentration of 0.1% by weight in homogenous materials for lead, hexavalent chromium, and mercury, and 0.01% for cadmium, or qualify for an exemption to these limits as defined in the Annexes of Directive 2000/53/EC (ELV). Regarding the REACH Regulation, the information TE provides on SVHC in articles for this part number is based on the latest European Chemicals Agency (ECHA) 'Guidance on requirements for substances in articles' posted at this URL: <https://echa.europa.eu/guidance-documents/guidance-on-reach>

Compatible Parts

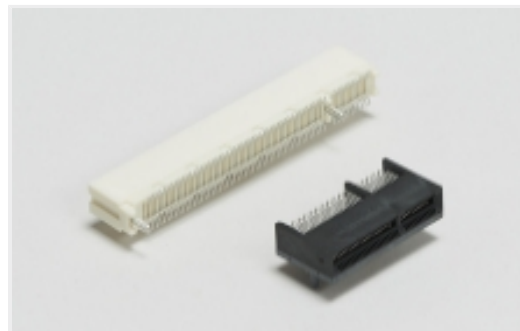


TE Part # CAT-C339-T419
Power Resistor: Aluminum Housed, 75 Watt

Also in the Series | CGS THS



Chassis Mount Resistors(241)

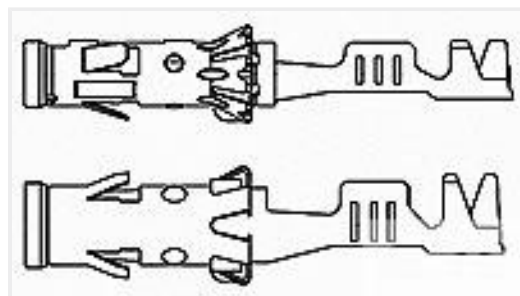


PCI & PCI Express Connectors(8)

Customers Also Bought



TE Part #DT06-12SD-P012
PLG, 12P, BRN, N, SEAL RET, ENH KEY, D



TE Part #929972-1
BU-KONTAKT 2,5MMD



TE Part #1-968968-3
2,5MM BU-GEH ASSY2P



TE Part #3-1622820-5
3520 2R7 5%



TE Part #1623490-1
CRG1206 1% 33R



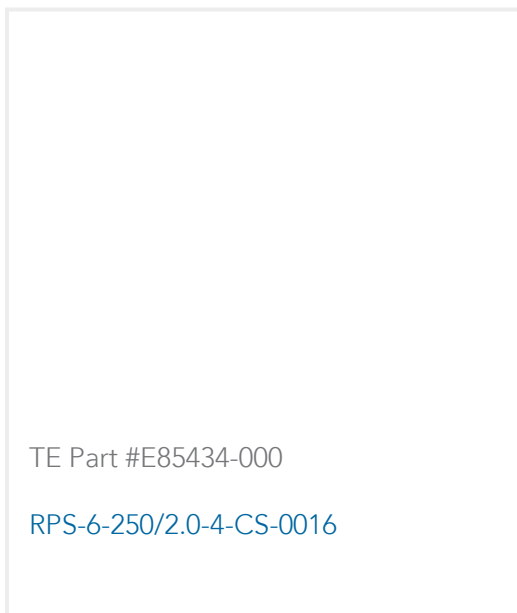
TE Part #1-1625999-0
HSC100 1K0 5%



TE Part #4-1879075-8
THS25 1K0 5%



TE Part #2176412-8
5W XSM M/OX 5% 10R



Documents

Product Drawings

[THS25 680R 5%](#)

English

CAD Files

[3D PDF](#)

3D

Customer View Model

[ENG_CVM_CVM_4-1879075-7_BB.2d_dxf.zip](#)

English

Customer View Model

[ENG_CVM_CVM_4-1879075-7_BB.3d_igs.zip](#)

English

Customer View Model

[ENG_CVM_CVM_4-1879075-7_BB.3d_stp.zip](#)

English

By downloading the CAD file I accept and agree to the [Terms and Conditions](#) of use.

Datasheets & Catalog Pages

[4-1773460-6_RESISTIVE_SOLUTIONS_RAIL](#)

English

[1309350_PASSIVE_COMPONENT](#)

English

[Aluminium Housed Power Resistors - Type THS Series - Tyco Electronics Passives](#)

English

[8-1773459-4_POWER_FILTERING_AND_RESISTIVE_SOLUTIONS_FOR_ELEVATORS_AND_ESCALATORS](#)

English