



**Kemtron | Kemtron 100 Series**

TE Internal #: 2423860-1

Knitted Wire EMI Gasket, Twin Round with Fin, 25 m [82 ft] Length, 25.4 mm [1 in] Width, 6.4 mm [.252 in] Outside Diameter, Kemtron 100 Series

[View on TE.com >](#)



Gasket Type: **Knitted Wire EMI Gasket**

Gasket Shape: **Twin Round with Fin**

Product Length: **25 m [ 82 ft ]**

Product Width: **25.4 mm [ 1 in ]**

Operating Temperature Range: **-50 – 200 °C [ -58 – 392 °F ]**

[All Wire Mesh Knitted Conductive Gaskets \(108\)](#)

## Features

### Product Type Features

Gasket Wire Material Type	Nickel-Copper Alloy
---------------------------	---------------------

### Electrical Characteristics

Resistance to Petroleum	No
-------------------------	----

### Body Features

Gasket Type	Knitted Wire EMI Gasket
Gasket Shape	Twin Round with Fin

### Dimensions

Product Length	25 m[82 ft]
Product Width	25.4 mm[1 in]
Outside Diameter	6.4 mm[.252 in]

### Usage Conditions

Operating Temperature Range	-50 – 200 °C[-58 – 392 °F]
-----------------------------	----------------------------

## Product Compliance

[For compliance documentation, visit the product page on TE.com>](#)

EU RoHS Directive 2011/65/EU	Compliant
EU ELV Directive 2000/53/EC	Compliant



China RoHS 2 Directive MIIT Order No 32, 2016	有害物质含量符合标准要求 No Restricted Substance(s) Above Threshold
EU REACH Regulation (EC) No. 1907/2006	Current ECHA Candidate List: JUNE 2025 (250) Candidate List Declared Against: JAN 2025 (247) Does not contain REACH SVHC
Halogen Content	Low Halogen - Br, Cl, F < 900 ppm per homogenous material. Also BFR/CFR/PVC Free
Solder Process Capability	Not reviewed for solder process capability

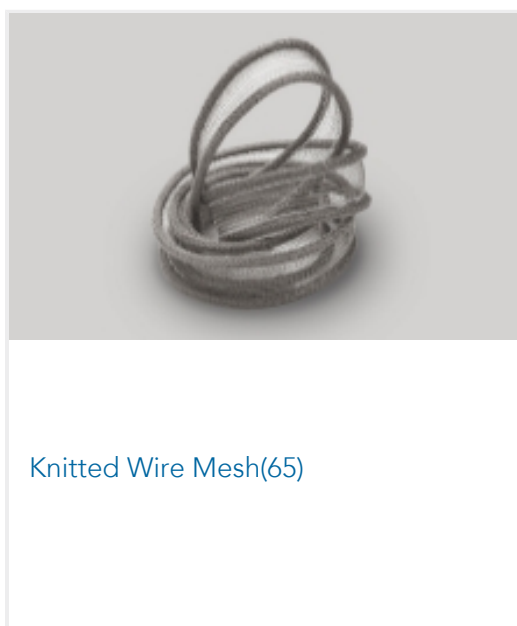
Product Compliance Disclaimer

This information is provided based on reasonable inquiry of our suppliers and represents our current actual knowledge based on the information they provided. This information is subject to change. The part numbers that TE has identified as EU RoHS compliant have a maximum concentration of 0.1% by weight in homogenous materials for lead, hexavalent chromium, mercury, PBB, PBDE, DBP, BBP, DEHP, DIBP, and 0.01% for cadmium, or qualify for an exemption to these limits as defined in the Annexes of Directive 2011/65/EU (RoHS2). Finished electrical and electronic equipment products will be CE marked as required by Directive 2011/65/EU. Components may not be CE marked. Additionally, the part numbers that TE has identified as EU ELV compliant have a maximum concentration of 0.1% by weight in homogenous materials for lead, hexavalent chromium, and mercury, and 0.01% for cadmium, or qualify for an exemption to these limits as defined in the Annexes of Directive 2000/53/EC (ELV). Regarding the REACH Regulation, the information TE provides on SVHC in articles for this part number is based on the latest European Chemicals Agency (ECHA) 'Guidance on requirements for substances in articles' posted at this URL: <https://echa.europa.eu/guidance-documents/guidance-on-reach>

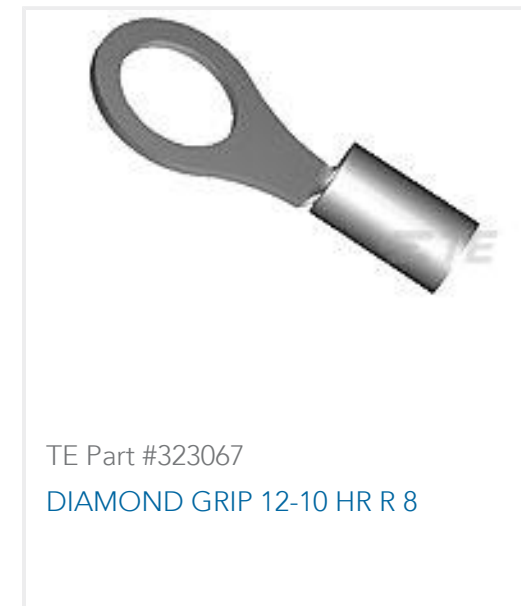
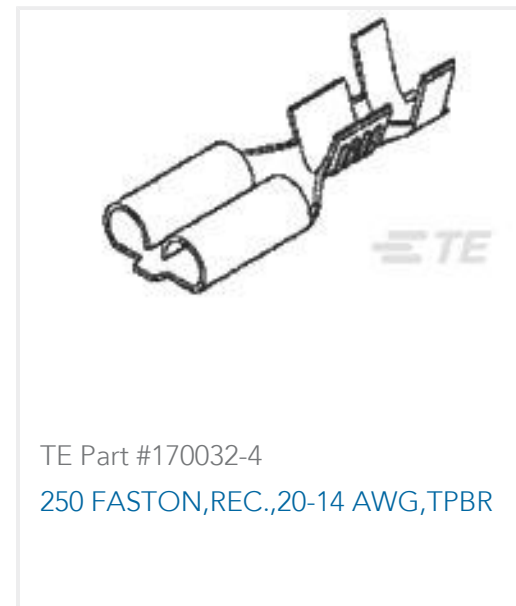
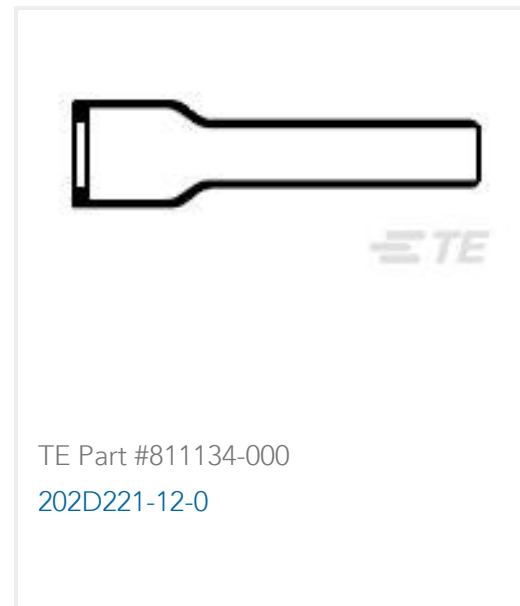
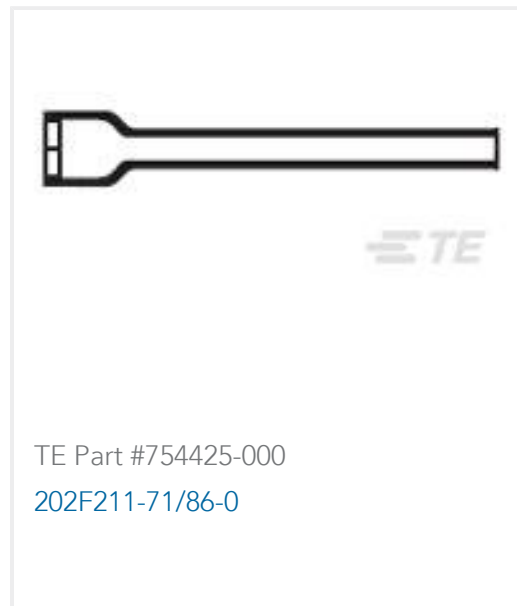
## Compatible Parts



## Also in the Series | Kemtron 100 Series



## Customers Also Bought



## Documents

### Product Drawings

Twin Round + Fin Mon Dia6.4 W25.4 L25m

English

### Datasheets & Catalog Pages

Knitted wire mesh

English

### Product Specifications

Application Specification

English