

470-0024-2250-10000 ✓ ACTIVE



Kemtron | Kemtron 470 Series

TE Internal #: 2420720-1

Oriented Wire EMI Gasket, Conductive Sheet, Silicone Binding, Nickel-Copper Alloy Wire, Rectangular, 2.4 mm [.094 in] Thick, Kemtron 470 Series

[View on TE.com >](#)



Gasket Type: **Oriented Wire EMI Gasket**

Finished Type: **Conductive Sheet**

Binding Material: **Silicone**

Gasket Wire Material Type: **Nickel-Copper Alloy**

Gasket Shape: **Rectangular**

[All Oriented Wire EMI Gasket \(28\)](#)

## Features

### Product Type Features

Finished Type	Conductive Sheet
Binding Material	Silicone
Gasket Wire Material Type	Nickel-Copper Alloy
Closing Force	45 N/cm <sup>2</sup>

### Electrical Characteristics

Resistance to Petroleum	No
-------------------------	----

### Body Features

Gasket Type	Oriented Wire EMI Gasket
Gasket Shape	Rectangular

### Dimensions

Product Thickness	2.4 mm[.094 in]
Product Length	1 m[3.28 ft]
Product Width	225 mm[8.858 in]



## Usage Conditions

Operating Temperature Range	-60 – 200 °C[-76 – 392 °F]
-----------------------------	----------------------------

## Product Compliance

[For compliance documentation, visit the product page on TE.com>](#)

EU RoHS Directive 2011/65/EU	Compliant
EU ELV Directive 2000/53/EC	Compliant
China RoHS 2 Directive MIIT Order No 32, 2016	有害物质含量符合标准要求 No Restricted Substance(s) Above Threshold
EU REACH Regulation (EC) No. 1907/2006	Current ECHA Candidate List: JUNE 2025 (250) Candidate List Declared Against: JUNE 2025 (250) SVHC > Threshold: Dodecamethylcyclohexasiloxane (D6) (.5% in Component Part) <b>Article Safe Usage Statements:</b> Wash thoroughly after handling. Recycle if possible and dispose of the article by following all applicable governmental regulations relevant to your geographic location.
Halogen Content	Low Halogen - Br, Cl, F < 900 ppm per homogenous material. Also BFR/CFR/PVC Free
Solder Process Capability	Not reviewed for solder process capability

### Product Compliance Disclaimer

This information is provided based on reasonable inquiry of our suppliers and represents our current actual knowledge based on the information they provided. This information is subject to change. The part numbers that TE has identified as EU RoHS compliant have a maximum concentration of 0.1% by weight in homogenous materials for lead, hexavalent chromium, mercury, PBB, PBDE, DBP, BBP, DEHP, DIBP, and 0.01% for cadmium, or qualify for an exemption to these limits as defined in the Annexes of Directive 2011/65/EU (RoHS2). Finished electrical and electronic equipment products will be CE marked as required by Directive 2011/65/EU. Components may not be CE marked. Additionally, the part numbers that TE has identified as EU ELV compliant have a maximum concentration of 0.1% by weight in homogenous materials for lead, hexavalent chromium, and mercury, and 0.01% for cadmium, or qualify for an exemption to these limits as defined in the Annexes of Directive 2000/53/EC (ELV). Regarding the REACH Regulation, the information TE provides on SVHC in articles for this part number is based on the latest European Chemicals Agency (ECHA) 'Guidance on requirements for substances in articles' posted at this URL: <https://echa.europa.eu/guidance-documents/guidance-on-reach>

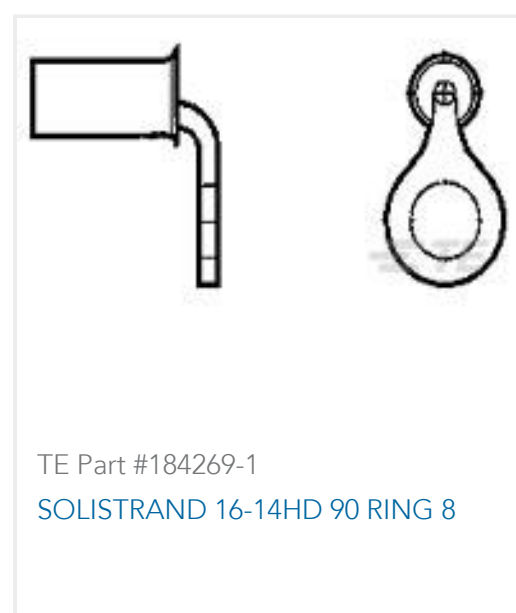
## Compatible Parts



### Also in the Series | [Kemtron 470 Series](#)



### Customers Also Bought





## Documents

### Product Drawings

[Mon Wire 20 Sh Sil 225x1000x2.4mm Sheet](#)

English

---

### Datasheets & Catalog Pages

[performance-materials-brochure](#)

English

[Oriented Wire In Silicone And Fluorosilicone Rubber](#)

English

---

### Product Specifications

[Application Specification](#)

English