



**Kemtron | Kemtron 420 Series**

TE Internal #: 2420717-1

Oriented Wire EMI Gasket, Conductive Sheet, Silicone Binding, Aluminum Wire, Rectangular, 2.4 mm [.094 in] Thick, Kemtron 420 Series

[View on TE.com >](#)

EMI & EMC Solutions > EMI Shielding > Oriented Wire > Oriented Wire EMI Gasket



Gasket Type: **Oriented Wire EMI Gasket**

Finished Type: **Conductive Sheet**

Binding Material: **Silicone**

Gasket Wire Material Type: **Aluminum**

Gasket Shape: **Rectangular**

[All Oriented Wire EMI Gasket \(28\)](#)

## Features

### Product Type Features

Finished Type	Conductive Sheet
Binding Material	Silicone
Gasket Wire Material Type	Aluminum
Closing Force	83 N/cm <sup>2</sup>

### Electrical Characteristics

Resistance to Petroleum	No
-------------------------	----

### Body Features

Gasket Type	Oriented Wire EMI Gasket
Gasket Shape	Rectangular

### Dimensions

Product Thickness	2.4 mm [.094 in]
Product Length	1 m [3.28 ft]



Product Width	225 mm[8.858 in]
---------------	------------------

**Usage Conditions**

Operating Temperature Range	-60 – 200 °C[-76 – 392 °F]
-----------------------------	----------------------------

**Product Compliance**

[For compliance documentation, visit the product page on TE.com>](#)


EU RoHS Directive 2011/65/EU	Compliant
EU ELV Directive 2000/53/EC	Compliant
China RoHS 2 Directive MIIT Order No 32, 2016	有害物质含量符合标准要求 No Restricted Substance(s) Above Threshold
EU REACH Regulation (EC) No. 1907/2006	Current ECHA Candidate List: JUNE 2025 (250) Candidate List Declared Against: JUNE 2025 (250) SVHC > Threshold: Dodecamethylcyclhexasiloxane (D6) (.5% in Component Part) Decamethylcyclopentasiloxane (D5) (.15% in Component Part) Octamethylcyclotetrasiloxane (D4) (.15% in Component Part) <b>Article Safe Usage Statements:</b> Wash thoroughly after handling. Recycle if possible and dispose of the article by following all applicable governmental regulations relevant to your geographic location.
Halogen Content	Low Halogen - Br, Cl, F < 900 ppm per homogenous material. Also BFR/CFR/PVC Free
Solder Process Capability	Not reviewed for solder process capability

**Product Compliance Disclaimer**

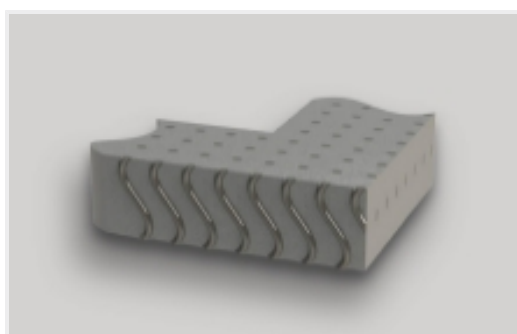
This information is provided based on reasonable inquiry of our suppliers and represents our current actual knowledge based on the information they provided. This information is subject to change. The part numbers that TE has identified as EU RoHS compliant have a maximum concentration of 0.1% by weight in homogenous materials for lead, hexavalent chromium, mercury, PBB, PBDE, DBP, BBP, DEHP, DIBP, and 0.01% for cadmium, or qualify for an exemption to these limits as defined in the Annexes of Directive 2011/65/EU (RoHS2). Finished electrical and electronic equipment products will be CE marked as required by Directive 2011/65/EU. Components may not be CE marked. Additionally, the part numbers that TE has identified as EU ELV compliant have a maximum concentration of 0.1% by weight in homogenous materials for lead, hexavalent chromium, and mercury, and 0.01% for cadmium, or qualify for an exemption to these limits as defined in the Annexes of Directive 2000/53/EC (ELV). Regarding the REACH Regulation, the information TE provides on SVHC in articles for this part number is based on the latest European Chemicals Agency (ECHA) 'Guidance on requirements for substances in articles' posted at this URL: <https://echa.europa.eu/guidance-documents/guidance-on-reach>

**Compatible Parts**



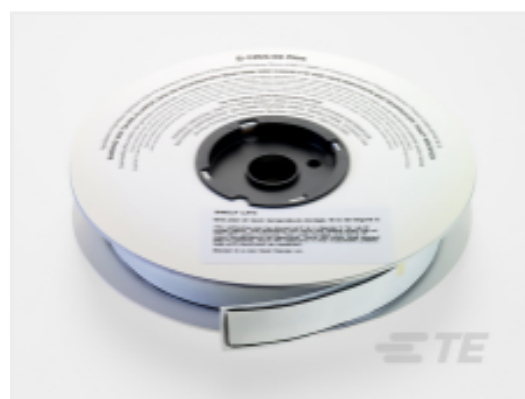
<p>TE Part # 2519690-1 440-0015 FABRICATED GASKET WITH SAB</p>	<p>TE Part # 2519689-1 440-0015 FABRICATED GASKET WITH SAB</p>	<p>TE Part # 2519701-1 420-ALU WIRE IN SOLID SILICONE GSKT</p>	<p>TE Part # 2519685-1 440-0015 FABRICATED GASKET WITH SAB</p>
<p>TE Part # 2519696-1 440-242 X 151 X 1.6MMSAB</p>	<p>TE Part # 2519694-1 420-ALU WIRE IN SOLID SILICONE GSKT</p>	<p>TE Part # 2519684-1 480-0010 COMP_COLLARS</p>	<p>TE Part # 2519687-1 440-0015 FABRICATED GASKET WITH SAB</p>
<p>TE Part # 2519686-1 440-0015 FABRICATED GASKET WITH SAB</p>	<p>TE Part # 2519699-1 420-ALU WIRE IN SOLID SILICONE GSKT</p>	 <p>TE Part # CAT-EMIG-0004 Oriented Wire EMI Gasket</p>	<p>TE Part # 2519700-1 420-ALU WIRE IN SOLID SILICONE GSKT</p>
<p>TE Part # 2519682-1 440 Fabricated gasket</p>	<p>TE Part # 2519688-1 440-0015 FABRICATED GASKET WITH SAB</p>	<p>TE Part # 2519683-1 440 Fabricated gasket</p>	

Also in the Series | [Kemtron 420 Series](#)

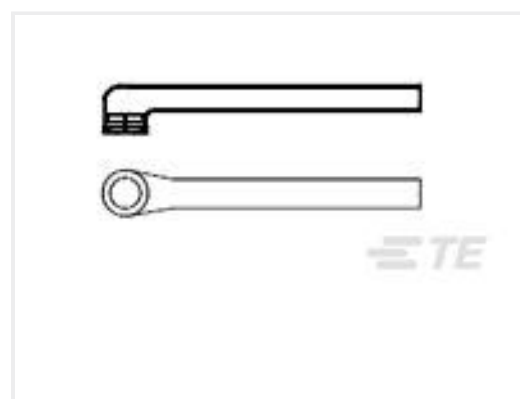


Oriented Wire(6)

Customers Also Bought



TE Part #195133-000  
S1255-04-3/4X100FT



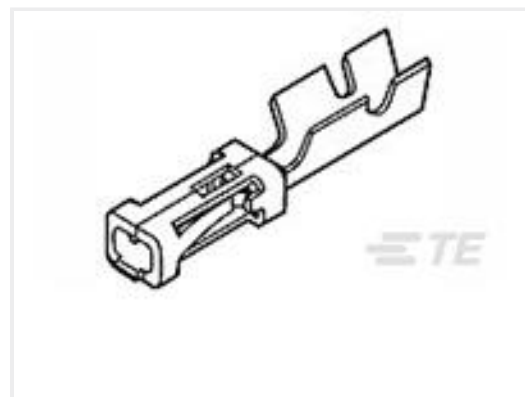
TE Part #806799-000  
222D121-25-0



TE Part #369276-000  
S1184-KIT-1



TE Part #583393-000  
S1125-KIT-5



TE Part #141603-4  
MOD-4 REC.CONTACT



TE Part #3-1393115-2  
KUL-11D15D-24=KU

## Documents

### Product Drawings

[Alu Wire 40 Sh Sil 225x1000x2.4mm Sheet](#)

English

### Datasheets & Catalog Pages

[performance-materials-brochure](#)

English

[Oriented Wire In Silicone And Fluorosilicone Rubber](#)

English

### Product Specifications

[Application Specification](#)

English