

2386211-1 ✓ ACTIVE

DEUTSCH | DEUTSCH DT Highspeed

TE Internal #: 2386211-1

Right Angle, Cable-to-Board, 2 Position, 1 Row, 4mm [.15in]

Centerline, Gold (Au), Sealable, Printed Circuit Board, DEUTSCH

DT Highspeed

[View on TE.com >](#)



Automotive Parts > Automotive Connectors > Automotive Headers > DT Highspeed Connector headers



PCB Mount Orientation: **Right Angle**

Contact Current Rating (Max): **7.5 A**

Termination Method to PCB: **Through Hole - Solder**

Sealable: **Yes**

Centerline (Pitch): **4 mm [ .15 in ]**

[All DT Highspeed Connector headers \(3\)](#)

## Features

### Product Type Features

Header Type	Fully Shrouded
Connector Product Type	Connector Assembly
Sealable	Yes
Connector System	Cable-to-Board
Connector & Contact Terminates To	Printed Circuit Board

### Configuration Features

PCB Mount Orientation	Right Angle
Number of Positions	2
Number of Rows	1

### Body Features

Connector & Keying Code	A
Primary Product Color	Black



### Contact Features

Contact Type	Pin
Contact Current Rating (Max)	7.5 A
Contact Mating Area Plating Material	Gold (Au)

### Termination Features

Termination Method to PCB	Through Hole - Solder
---------------------------	-----------------------

### Mechanical Attachment

Mating Alignment	With
PCB Mount Alignment	With
PCB Mount Retention	Without
Connector Mounting Type	Board Mount

### Housing Features

Centerline (Pitch)	4 mm [.15 in]
--------------------	---------------

### Usage Conditions

Operating Temperature Range	-40 – 125 °C [-40 – 257 °F]
-----------------------------	-----------------------------

### Operation/Application

Circuit Application	High Speed Data
---------------------	-----------------

### Industry Standards

UL Flammability Rating	UL 94V-0
------------------------	----------

### Packaging Features

Packaging Method	Tray
------------------	------

### Product Compliance

[For compliance documentation, visit the product page on TE.com>](#)

EU RoHS Directive 2011/65/EU	Compliant
EU ELV Directive 2000/53/EC	Compliant
China RoHS 2 Directive MIIT Order No 32, 2016	有害物质含量符合标准要求 No Restricted Substance(s) Above Threshold
EU REACH Regulation (EC) No. 1907/2006	Current ECHA Candidate List: JUNE 2025 (250) Candidate List Declared Against: JUNE 2025 (250) Does not contain REACH SVHC
Halogen Content	Not Low Halogen - contains Br or Cl > 900



ppm.

Solder Process Capability

Not reviewed for solder process capability

Product Compliance Disclaimer

This information is provided based on reasonable inquiry of our suppliers and represents our current actual knowledge based on the information they provided. This information is subject to change. The part numbers that TE has identified as EU RoHS compliant have a maximum concentration of 0.1% by weight in homogenous materials for lead, hexavalent chromium, mercury, PBB, PBDE, DBP, BBP, DEHP, DIBP, and 0.01% for cadmium, or qualify for an exemption to these limits as defined in the Annexes of Directive 2011/65/EU (RoHS2). Finished electrical and electronic equipment products will be CE marked as required by Directive 2011/65/EU. Components may not be CE marked. Additionally, the part numbers that TE has identified as EU ELV compliant have a maximum concentration of 0.1% by weight in homogenous materials for lead, hexavalent chromium, and mercury, and 0.01% for cadmium, or qualify for an exemption to these limits as defined in the Annexes of Directive 2000/53/EC (ELV). Regarding the REACH Regulations, TE's information on SVHC in articles for this part number is still based on the European Chemical Agency (ECHA) 'Guidance on requirements for substances in articles' (Version: 2, April 2011), applying the 0.1% weight on weight concentration threshold at the finished product level. TE is aware of the European Court of Justice ruling of September 10th, 2015 also known as O5A (Once An Article Always An Article) stating that, in case of 'complex object', the threshold for a SVHC must be applied to both the product as a whole and simultaneously to each of the articles forming part of its composition. TE has evaluated this ruling based on the new ECHA "Guidance on requirements for substances in articles" (June 2017, version 4.0) and will be updating its statements accordingly.

### Compatible Parts



TE Part # 2382948-7  
DTHS, CABLE ASSY, FEMALE TO FEMALE, 10M



TE Part # 2382948-6  
DTHS, CABLE ASSY, FEMALE TO FEMALE, 7.5M



TE Part # 2386211-3  
2POS, PIN DIA 1.0, HDR ASSY, 90DEG, COD C



TE Part # 2382949-4  
DTHS, CABLE ASSY, FEMALE TO MALE, 3M



TE Part # 2384003-1  
BLIND CONNECTOR, REC HSG ASSY, DATA DT



TE Part # 2386215-1  
HDR SUB ASSY, 2POS, PIN DIA 1.0, 90 DEG



TE Part # 2382948-5  
DTHS, CABLE ASSY, FEMALE TO FEMALE, 5M



TE Part # 2382948-8  
DTHS, CABLE ASSY, FEMALE TO FEMALE, 28M



TE Part # 2382949-1  
DTHS, CABLE ASSY, FEMALE TO MALE, 0.5M



TE Part # 2382949-7  
DTHS, CABLE ASSY, FEMALE TO MALE, 10M



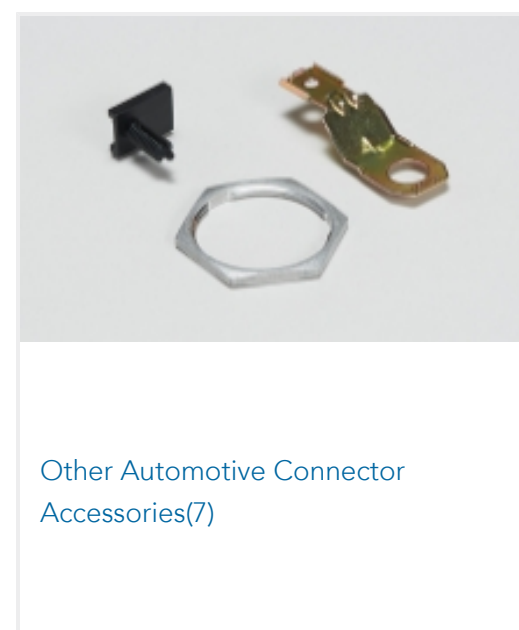
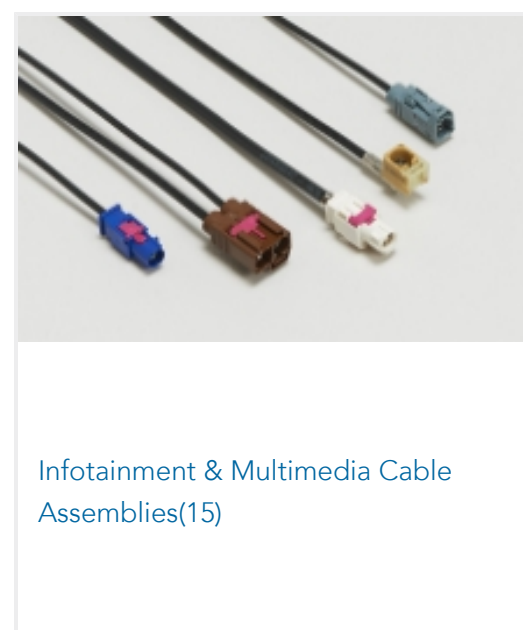
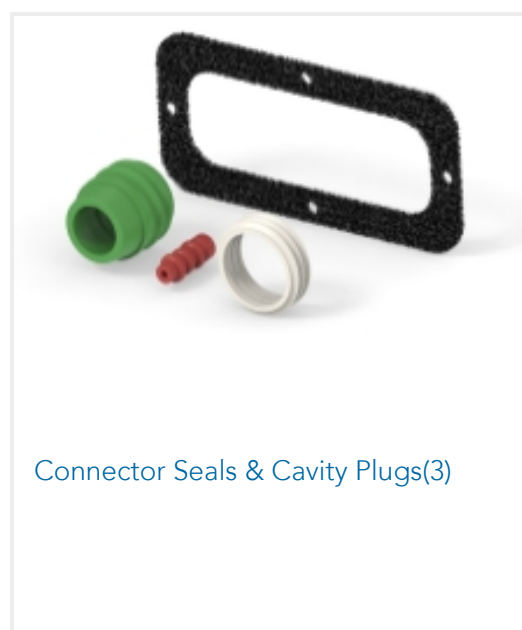
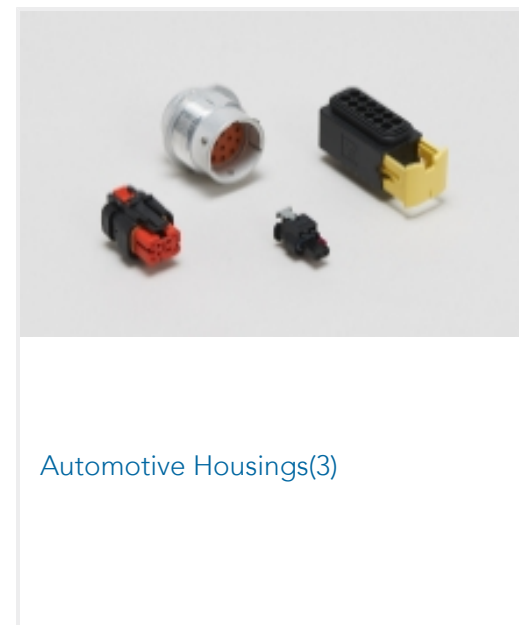
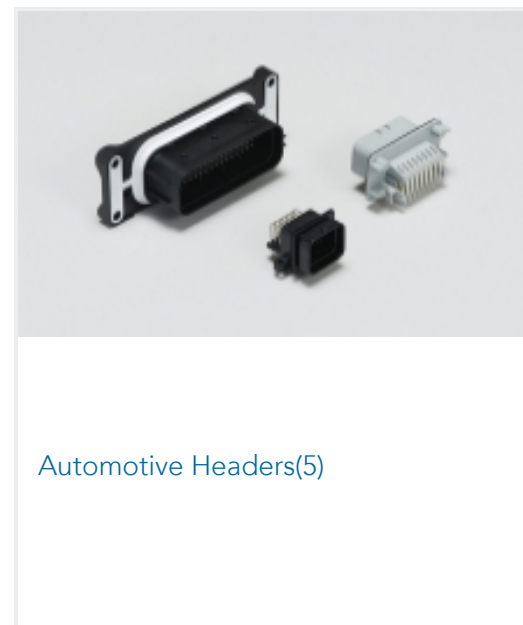
TE Part # 2382948-3  
DTHS, CABLE ASSY, FEMALE TO FEMALE, 1.5M



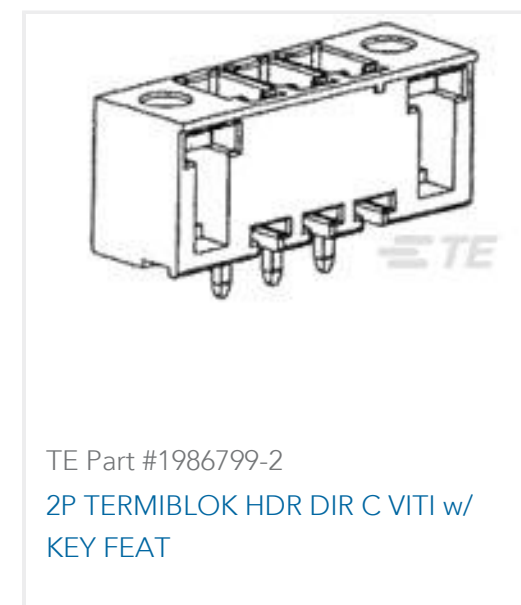
TE Part # 2367337-1  
DT Highspeed, Socket Housing Assembly

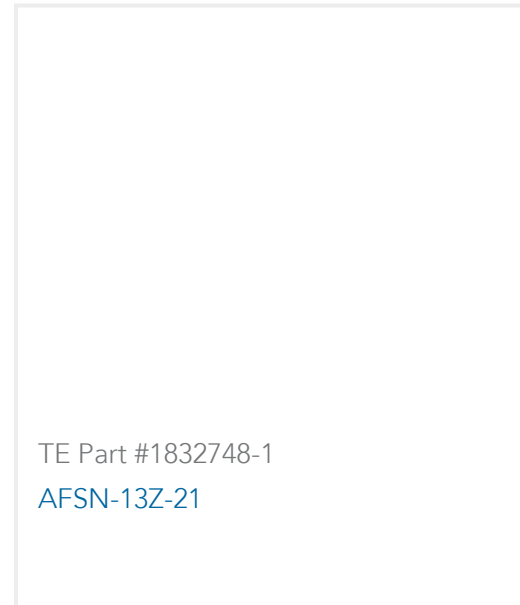
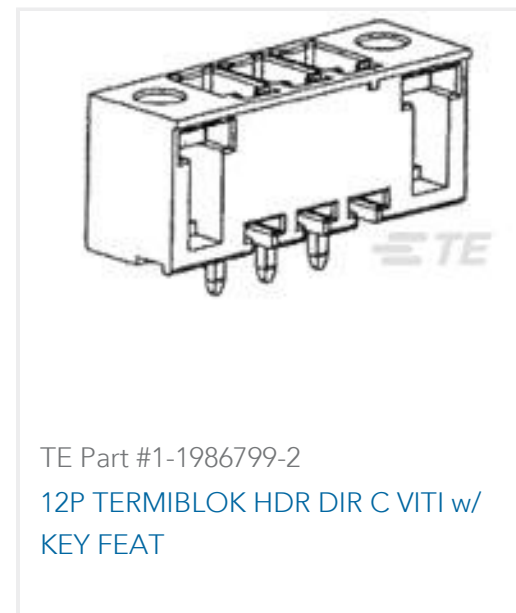
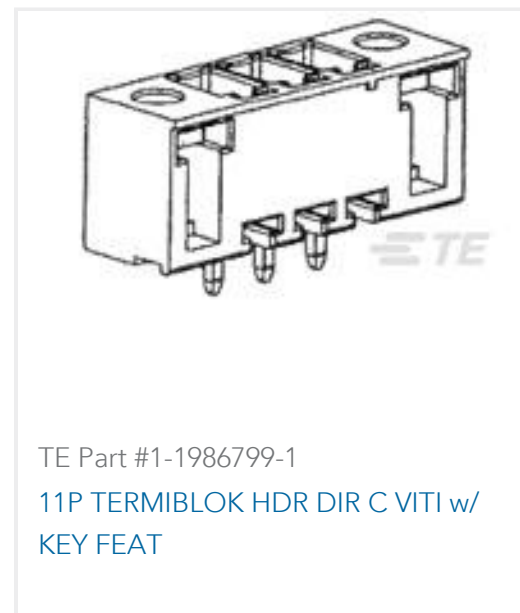
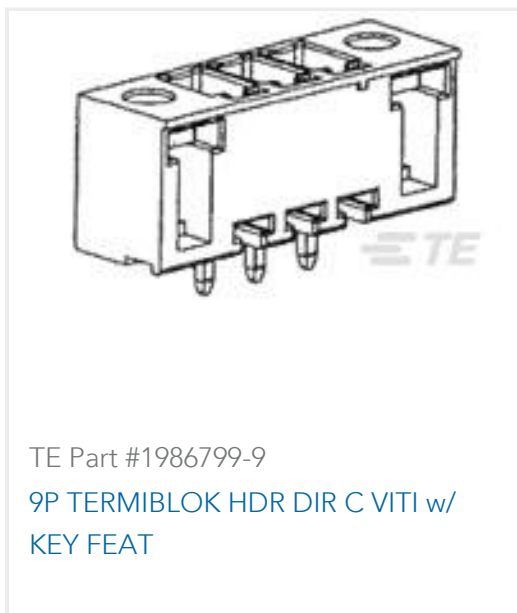


Also in the Series | **DEUTSCH DT Highspeed**



Customers Also Bought





## Documents

### Product Drawings

2POS, PIN DIA 1.0, HDR ASSY, 90DEG, COD A

English

2POS, PIN DIA 1.0, HDR ASSY, 90DEG, COD A

English

### CAD Files

Customer View Model

[ENG\\_CVM\\_CVM\\_2386211-1\\_B.3d\\_igs.zip](#)

English

Customer View Model

[ENG\\_CVM\\_CVM\\_2386211-1\\_B.3d\\_stp.zip](#)

English

Customer View Model

[ENG\\_CVM\\_CVM\\_2386211-1\\_B.2d\\_dxf.zip](#)

English

3D PDF

3D

By downloading the CAD file I accept and agree to the [Terms and Conditions](#) of use.

### Product Specifications

[Application Specification](#)

English