

# THS753R3J ✓ ACTIVE

CGS | CGS THS

TE Internal #: 1879363-3

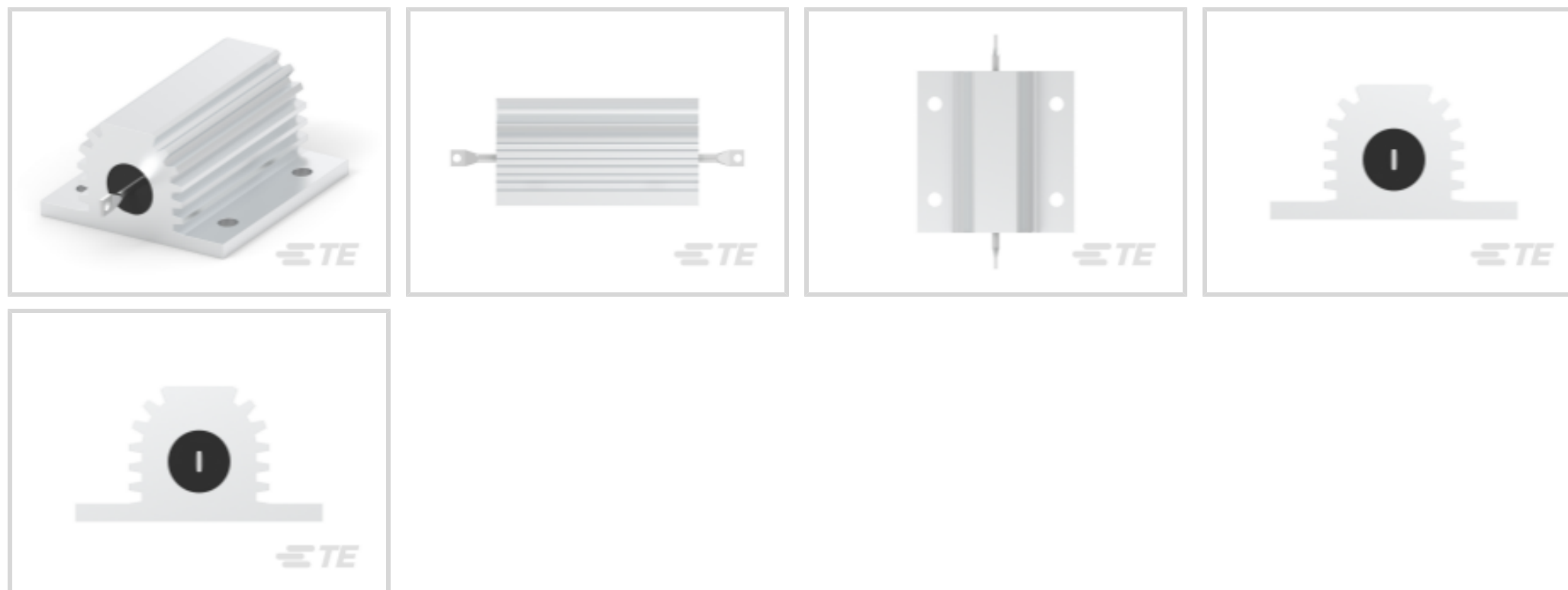
3.3 ohm, Wire Wound, 5 %, Power Resistor, 75 W, 2 Terminations,  
±50 ppm/°C, Solder Lug, Loose Piece - Tray, 26 mm [1.024 in]

Height, CGS THS

[View on TE.com >](#)



Passive Components > Resistors > Chassis Mount Resistors > Power Resistor: Aluminum Housed, 75 Watt



Resistor Type: **Power Resistor**

Resistance Class: **Up to 1kΩ**

Resistance Value: **3.3 Ω**

Power Rating: **75 W**

Element Type: **Wire Wound**

[All Power Resistor: Aluminum Housed, 75 Watt \(236\)](#)

## Features

### Product Type Features

|               |                |
|---------------|----------------|
| Resistor Type | Power Resistor |
| Element Type  | Wire Wound     |

### Configuration Features

|                     |   |
|---------------------|---|
| Number of Resistors | 1 |
|---------------------|---|

### Electrical Characteristics

|                             |           |
|-----------------------------|-----------|
| Operating Voltage           | 1400 VDC  |
| Resistance Class            | Up to 1kΩ |
| Resistance Value            | 3.3 Ω     |
| Power Rating                | 75 W      |
| Passive Component Tolerance | 5 %       |

### Termination Features

|                        |   |
|------------------------|---|
| Number of Terminations | 2 |
|------------------------|---|

Chassis Mount Resistor Termination Type

Solder Lug

### Mechanical Attachment

Panel Mount Feature Type

Flange with Mounting Holes

### Dimensions

Product Height

26 mm[1.024 in]

Product Length

71 mm[2.795 in]

Product Width

47.5 mm[1.87 in]

### Usage Conditions

Temperature Coefficient

 $\pm 50$  ppm/ $^{\circ}$ C

### Packaging Features

Packaging Method

Loose Piece - Tray

## Product Compliance

For compliance documentation, visit the product page on [TE.com](https://www.te.com)>

EU RoHS Directive 2011/65/EU

Compliant

EU ELV Directive 2000/53/EC

Compliant

China RoHS 2 Directive MIIT Order No 32, 2016

有害物质含量符合标准要求 No Restricted Substance(s) Above Threshold

EU REACH Regulation (EC) No. 1907/2006

Current ECHA Candidate List: JUNE 2025 (250)  
 Candidate List Declared Against: JUNE 2025 (250)  
 Does not contain REACH SVHC

Halogen Content

Low Halogen - Br, Cl, F < 900 ppm per homogenous material. Also BFR/CFR/PVC Free

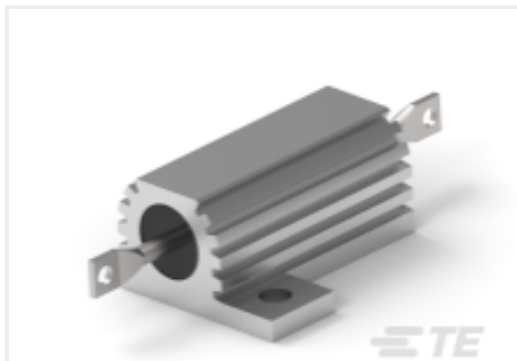
Solder Process Capability

Hand solderable with lead free solder

#### Product Compliance Disclaimer

This information is provided based on reasonable inquiry of our suppliers and represents our current actual knowledge based on the information they provided. This information is subject to change. The part numbers that TE has identified as EU RoHS compliant have a maximum concentration of 0.1% by weight in homogenous materials for lead, hexavalent chromium, mercury, PBB, PBDE, DBP, BBP, DEHP, DIBP, and 0.01% for cadmium, or qualify for an exemption to these limits as defined in the Annexes of Directive 2011/65/EU (RoHS2). Finished electrical and electronic equipment products will be CE marked as required by Directive 2011/65/EU. Components may not be CE marked. Additionally, the part numbers that TE has identified as EU ELV compliant have a maximum concentration of 0.1% by weight in homogenous materials for lead, hexavalent chromium, and mercury, and 0.01% for cadmium, or qualify for an exemption to these limits as defined in the Annexes of Directive 2000/53/EC (ELV). Regarding the REACH Regulation, the information TE provides on SVHC in articles for this part number is based on the latest European Chemicals Agency (ECHA) 'Guidance on requirements for substances in articles' posted at this URL: <https://echa.europa.eu/guidance-documents/guidance-on-reach>

## Compatible Parts

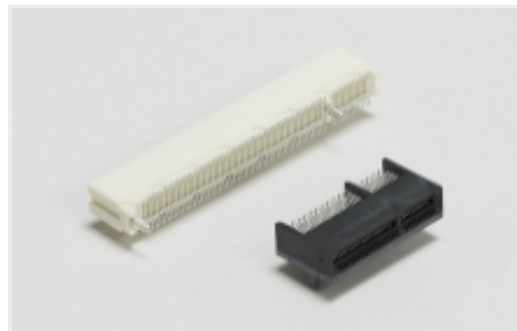


TE Part # CAT-C339-T419  
Power Resistor: Aluminum Housed, 75 Watt

## Also in the Series | CGS THS



Chassis Mount Resistors(241)



PCI & PCI Express Connectors(8)

## Customers Also Bought



TE Part #796740-3  
3 POS PCB MT 6.35MM HI CRT TBK



TE Part #1445389-1  
REC,8-4,FREE HG,SM INS,STD KEY



TE Part #8-1676123-6  
1/2W SM M/OX 5% 3K0



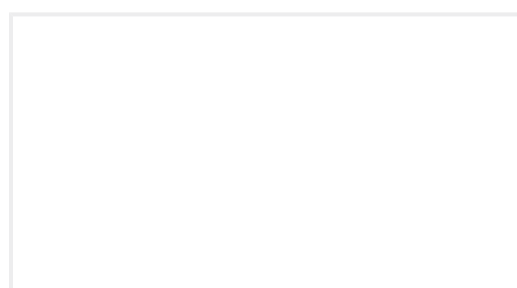
TE Part #1775073-1  
SHIELD FINGER 434025N7



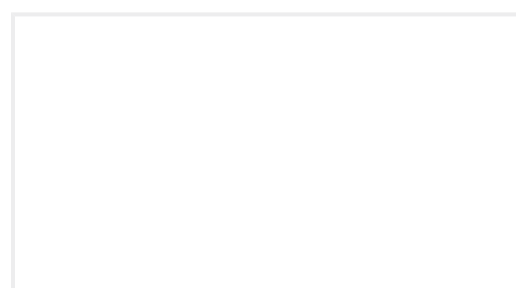
TE Part #CAT-C339-T419  
Power Resistor: Aluminum Housed, 75 Watt



TE Part #6339488-1  
VERTICAL BATTERY HOLDER



TE Part #2205497-1  
Flat Cable MA-MA MICRO MATCH 6 ways



TE Part #2205511-1  
CA MICRO-MATCH MOW MOW 16 POS

## Documents

### Product Drawings

THS75 3R3 5%

English



### CAD Files

#### 3D PDF

3D

#### Customer View Model

[ENG\\_CVM\\_CVM\\_1879363-3\\_A.2d\\_dxf.zip](#)

English

#### Customer View Model

[ENG\\_CVM\\_CVM\\_1879363-3\\_A.3d\\_igs.zip](#)

English

#### Customer View Model

[ENG\\_CVM\\_CVM\\_1879363-3\\_A.3d\\_stp.zip](#)

English

By downloading the CAD file I accept and agree to the [Terms and Conditions](#) of use.

### Datasheets & Catalog Pages

[4-1773460-6\\_RESISTIVE\\_SOLUTIONS\\_RAIL](#)

English

[1309350\\_PASSIVE\\_COMPONENT](#)

English

[Aluminium Housed Power Resistors - Type THS Series - Tyco Electronics Passives](#)

English

[8-1773459-4\\_POWER\\_FILTERING\\_AND\\_RESISTIVE\\_SOLUTIONS\\_FOR\\_ELEVATORS\\_AND\\_ESCALATORS](#)

English